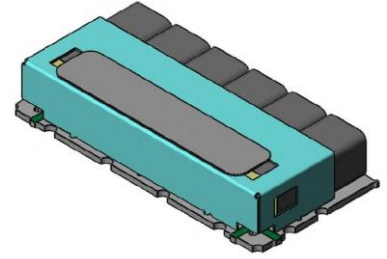


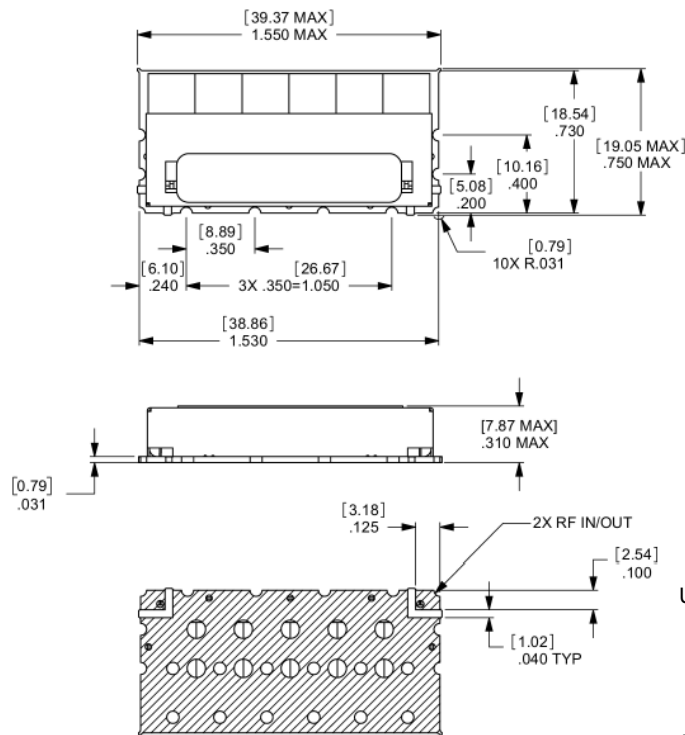
## Ceramic Bandpass Filter

### Features/Benefits

- Ceramic Filter
- Low Cost
- Made in U.S.A.



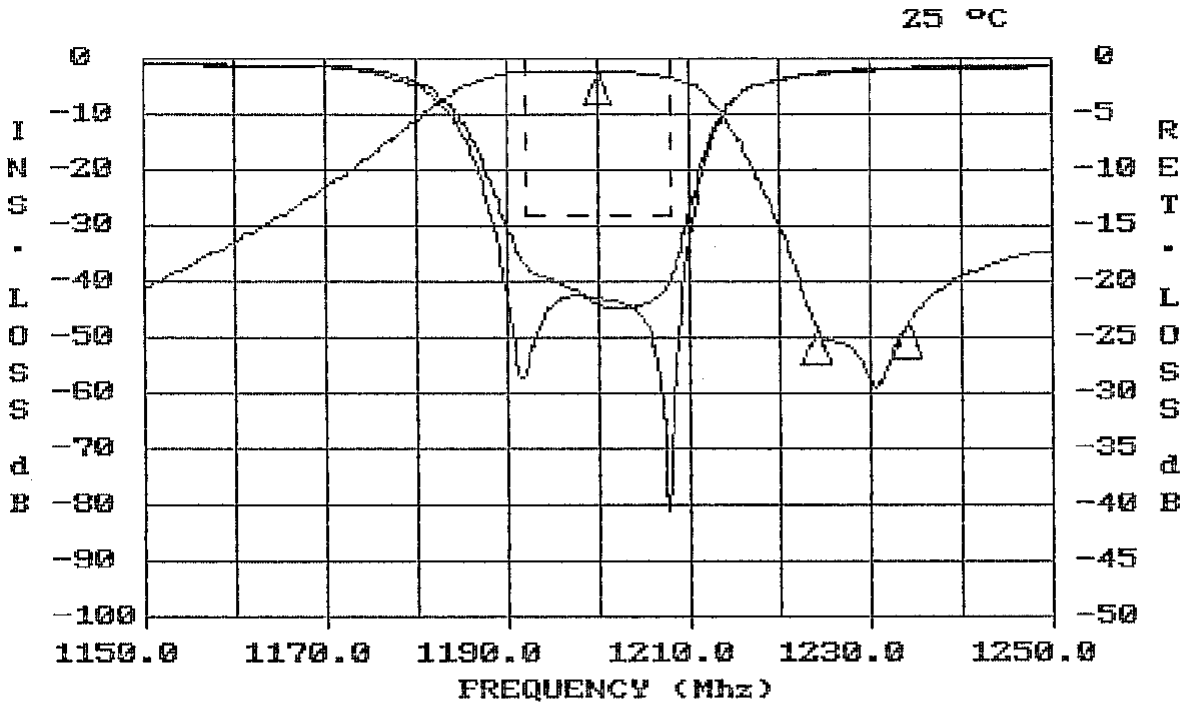
Parameter	Specification
Center Frequency (Fo)	1200 MHz
Passband Ripple	0.1 dB max from 1192 MHz to 1208 MHz
Insertion Loss	3.0 dBa max @ 1200 MHz
VSWR	1.5:1 max from 1192 MHz to 1208 MHz
Rejection	-50 dBc min @ 800 MHz -25 dBc min @ 1000 MHz -40 dBc min @ 1224 MHz -40 dBc min @ 1234 MHz -25 dBc min @ 1400 MHz -50 dBc min @ 1600 MHz
Linear Phase Deviation	10° max
Temperature, Operating	-20°C to +70°C
Temperature, Storage	-55°C to +125°C
Temperature, Soldering	+215°C MAX (use convective reflow)
Mechanical Dimensions	1.550 x 0.750 x 0.310 inches [39.37 x 19.05 x 7.87 mm] (L X W X H)



UNLESS OTHERWISE SPECIFIED  
DIMENSIONS ARE IN INCHES.  
TOLERANCES ARE:

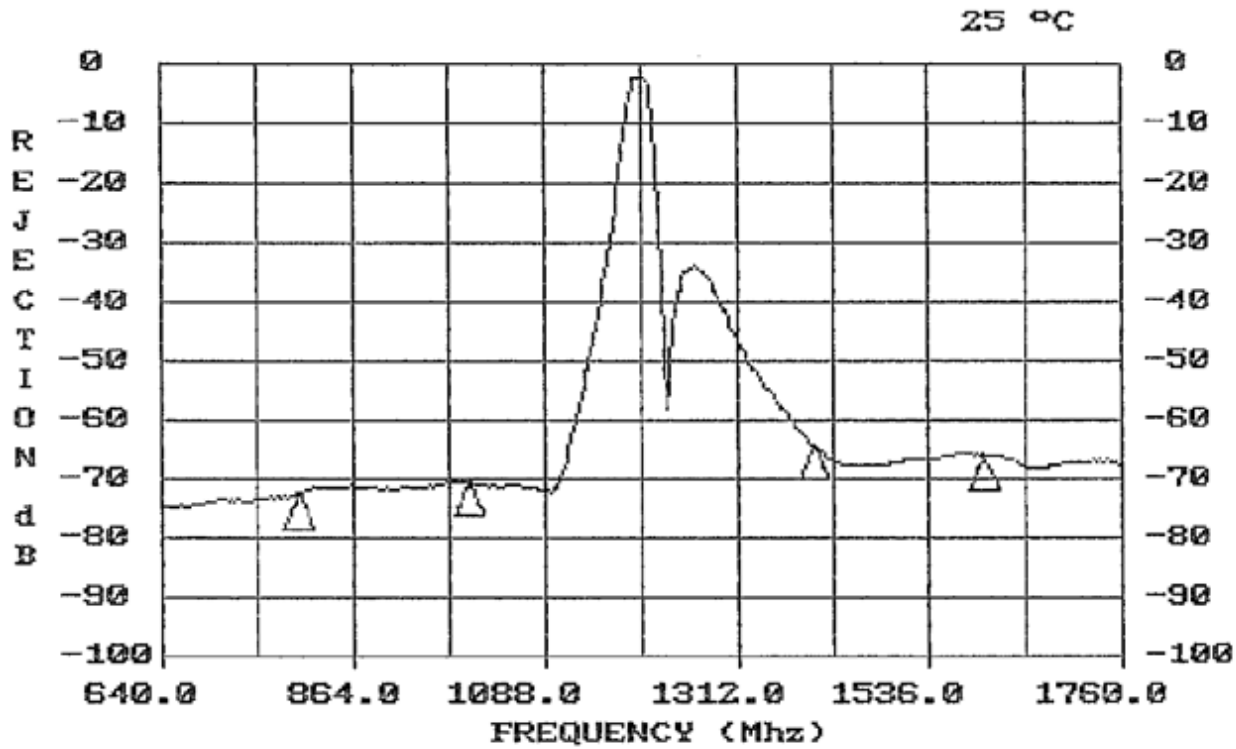
INCHES	MILLIMETERS
.XX ± .02	[X.X] ± .5
.XXX ± .020	[X.XX] ± .51
.XXXX ± .0020	[X.XXX] ± .051

This document contains proprietary information and is to be used only for the purposes for which it has been supplied and is not to be duplicated or disclosed in whole or in part without written permission from a duly authorized representative of Knowles.



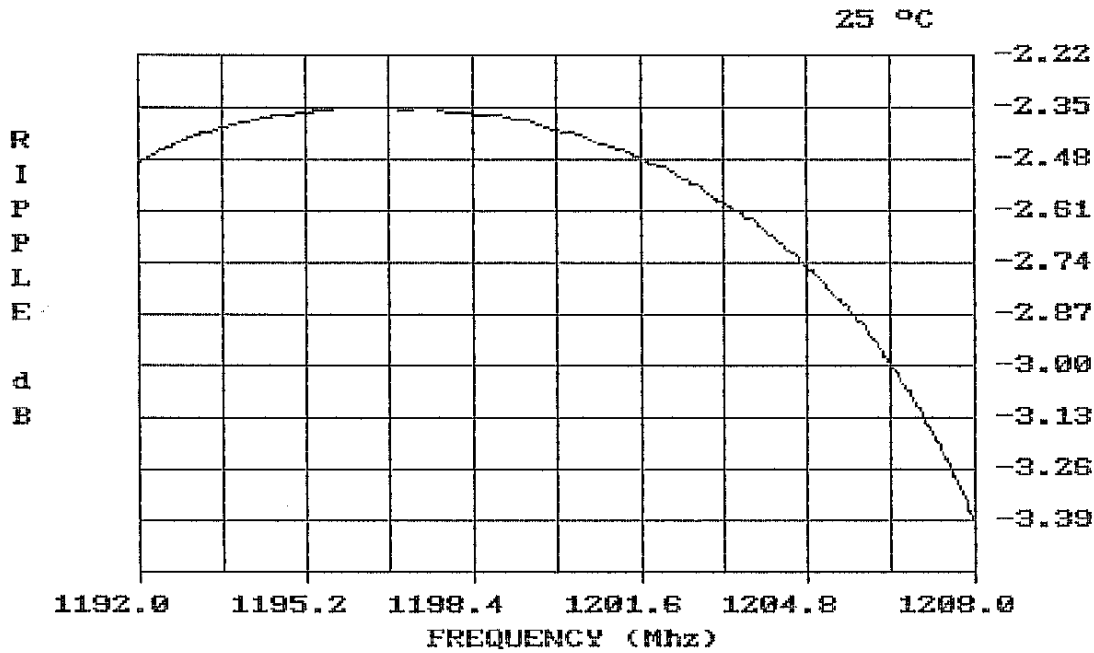
FREQUENCY (MHZ)	VALUE	SPEC	COMMENTS
1200	-2.41 dbA	-3 dbA MAX	
1224 - 1234	-45.2 dbc	-40 dbc MIN	
FREQUENCY (MHZ)	VALUE	SPEC	COMMENTS
1192 - 1208	7.58 p-p	10 p-p	Linear Phase
FREQUENCY (MHZ)	VALUE	SPEC	COMMENTS
1192 - 1208	-21.3	1.5 :1 MAX	(S11) - VSWR
1192 - 1208	-18.6	1.5 :1 MAX	(S22) - VSWR

This document contains proprietary information and is to be used only for the purposes for which it has been supplied and is not to be duplicated or disclosed in whole or in part without written permission from a duly authorized representative of Knowles.



FREQUENCY (MHZ)	VALUE	SPEC	COMMENTS
800	-70.1 dbC	-50 dbC MIN	
1000	-68.1 dbC	-25 dbC MIN	
1400	-61.7 dbC	-25 dbC MIN	
1600	-63.5 dbC	-50 dbC MIN	

This document contains proprietary information and is to be used only for the purposes for which it has been supplied and is not to be duplicated or disclosed in whole or in part without written permission from a duly authorized representative of Knowles.



PASSBAND RIPPLE IS DISPLAYED ABOVE. The ripple spec. is .1dB p-p Max over  
1192(Mhz) - 1208(Mhz)

The above graph has a .129 db/Division SCALE

This document contains proprietary information and is to be used only for the purposes for which it has been supplied and is not to be duplicated or disclosed in whole or in part without written permission from a duly authorized representative of Knowles.