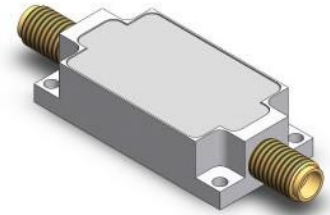


P/N: 932342

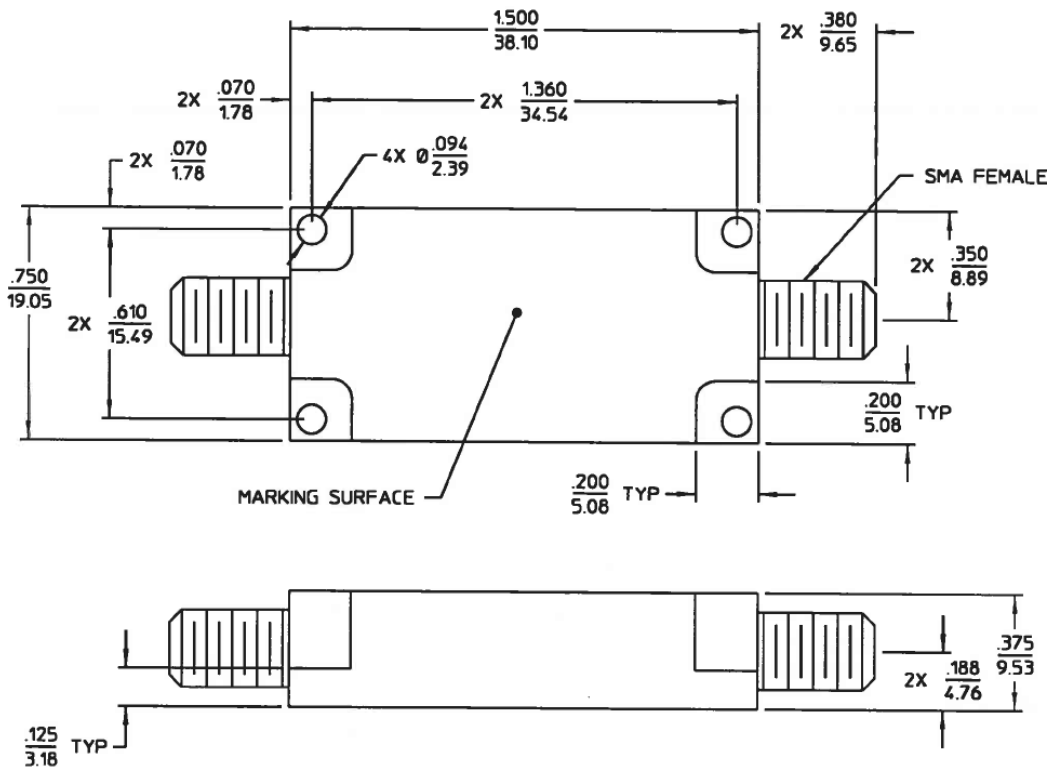
Ceramic Bandpass Filter

Features/Benefits

- SMA-Female Connectors
- Made in U.S.A.



| Parameter | Specification |
|------------------------|--|
| Center Frequency (Fo) | 2000 MHz |
| VSWR | 1.5:1 max @ 2000 MHz |
| Insertion Loss | -1 dBa max @ 2000 MHz |
| Rejection | -40 dBc min @ 4000 MHz |
| Temperature, Operating | -20°C to +70°C |
| Temperature, Storage | -55°C to +125°C |
| Mechanical Dimensions | 1.500 x 0.750 x 0.375 inches [38.10 x 19.05 x 9.53 mm] (L X W X H) |



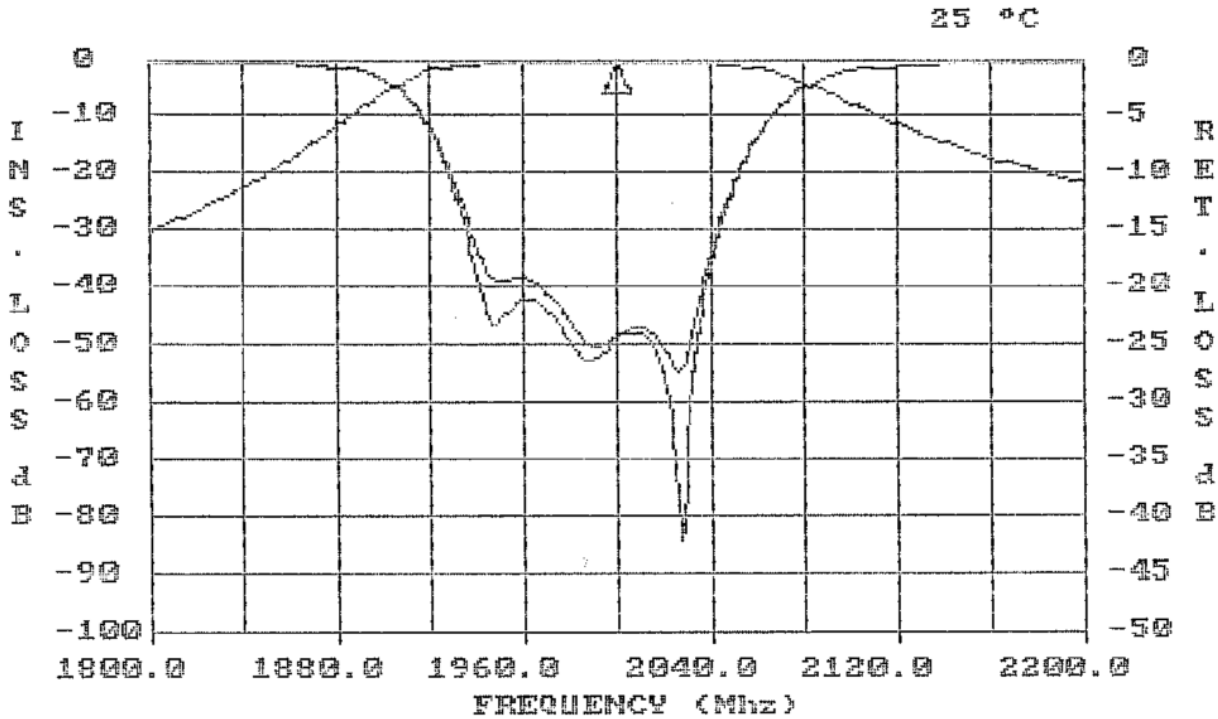
UNLESS OTHERWISE SPECIFIED
DIMENSIONS ARE IN INCHES.
TOLERANCES ARE:

| INCHES | MILLIMETERS |
|---------------|----------------|
| .XX ± .02 | [X.X] ± .5 |
| .XXX ± .010 | [X.XX] ± .25 |
| .XXXX ± .0020 | [X.XXX] ± .051 |

This document contains proprietary information and is to be used only for the purposes for which it has been supplied and is not to be duplicated or disclosed in whole or in part without written permission from a duly authorized representative of Knowles.

Phone: 1-315-655-8710 • Email: KPD-NA-sales@knowles.com • www.knowlescapacitors.com

Product and product information are subject to change without notice.



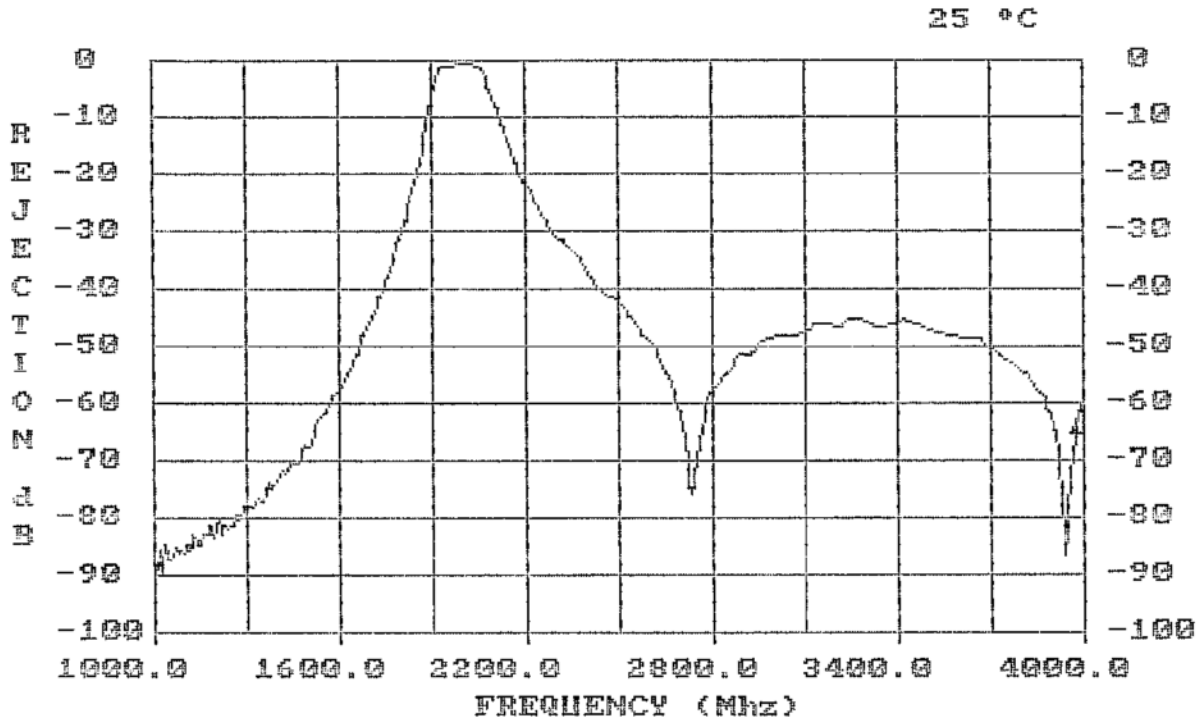
| FREQUENCY (MHZ) | VALUE | SPEC | COMMENTS |
|-----------------|-----------|------------|----------|
| 2000 | -41.7 dbA | -1 dbA MAX | |

| FREQUENCY (MHZ) | VALUE | SPEC | COMMENTS |
|-----------------|-------|------------|--------------|
| 2000 | | 1.5 :1 MAX | (S11) - VSWR |
| 2000 | | 1.5 :1 MAX | (S22) - VSWR |

This document contains proprietary information and is to be used only for the purposes for which it has been supplied and is not to be duplicated or disclosed in whole or in part without written permission from a duly authorized representative of Knowles.

Phone: 1-315-655-8710 • Email: KPD-NA-sales@knowles.com • www.knowlescapacitors.com

Product and product information are subject to change without notice.



| FREQUENCY (MHZ) | VALUE | SPEC | COMMENTS |
|-----------------|-----------|-------------|----------|
| 4000 | -58.8 dbc | -40 dbc MIN | |

This document contains proprietary information and is to be used only for the purposes for which it has been supplied and is not to be duplicated or disclosed in whole or in part without written permission from a duly authorized representative of Knowles.

Phone: 1-315-655-8710 • Email: KPD-NA-sales@knowles.com • www.knowlescapacitors.com

Product and product information are subject to change without notice.