

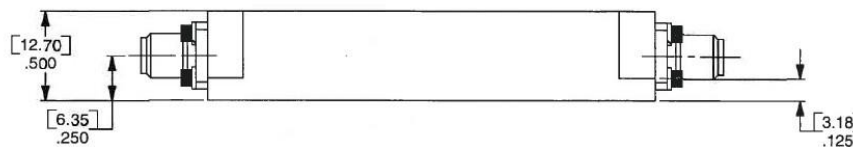
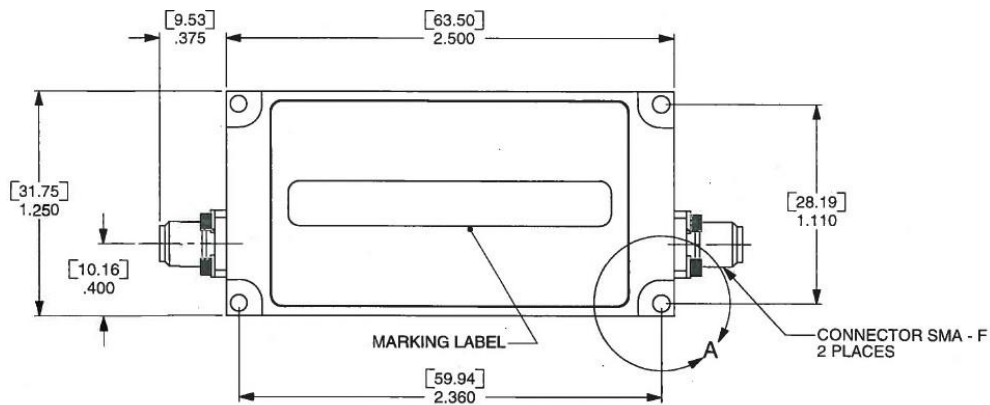
## Ceramic Band Reject Filter

### Features/Benefits

- Ceramic Filter
- SMA-F connectors
- Made in U.S.A.

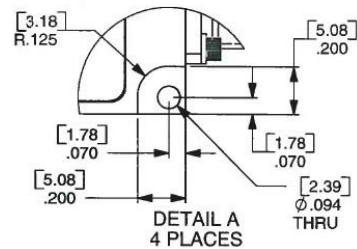


Parameter	Specification
Center Frequency (Fo)	1227.6 MHz
Return Loss	-10 dB @ from DC to 1207.6 MHz -10 dB @ from 1247.6 MHz to 1327.6 MHz
Insertion Loss	-4.5 dBa max from DC to 1207.6 MHz -4.5 dBa max from 1247.6 MHz to 1327.6 MHz
Rejection	-66 dBa min from 1222.6 MHz to 1232.6 MHz
Temperature, Operating	-20°C to +85°C
Temperature, Storage	-55°C to +125°C
Mechanical Dimensions	2.500 x 1.250 x 0.500 inches [63.50 x 31.75 x 12.70 mm] (L X W X H)



UNLESS OTHERWISE SPECIFIED  
DIMENSIONS ARE IN INCHES.  
TOLERANCES ARE:

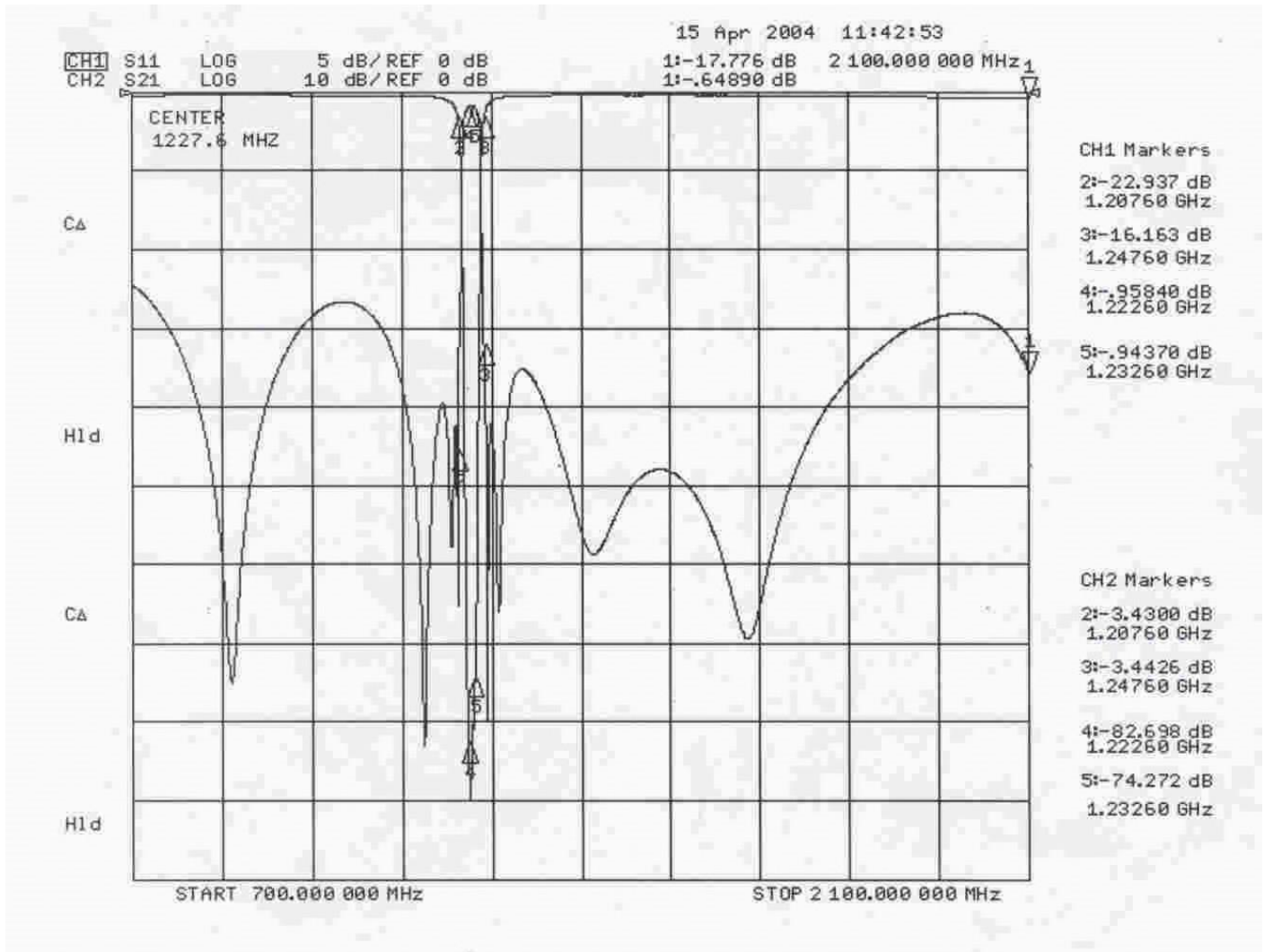
INCHES	MILLIMETERS
.XX ± .02	[X.X] ± .5
.XXX ± .010	[X.XX] ± .25
.XXXX ± .0020	[X.XXX] ± .051



This document contains proprietary information and is to be used only for the purposes for which it has been supplied and is not to be duplicated or disclosed in whole or in part without written permission from a duly authorized representative of Knowles.

Phone: 1-315-655-8710 • Email: KPD-NA-sales@knowles.com • www.knowlescapacitors.com

Product and product information are subject to change without notice.



This document contains proprietary information and is to be used only for the purposes for which it has been supplied and is not to be duplicated or disclosed in whole or in part without written permission from a duly authorized representative of Knowles.

Phone: 1-315-655-8710 • Email: KPD-NA-sales@knowles.com • www.knowlescapacitors.com

Product and product information are subject to change without notice.