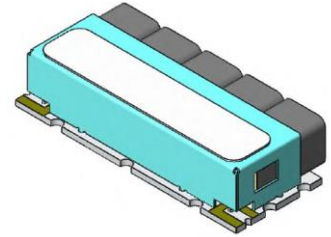


Ceramic Bandpass Filter

Features/Benefits

- Ceramic Filter
- Low Cost
- Made in U.S.A.



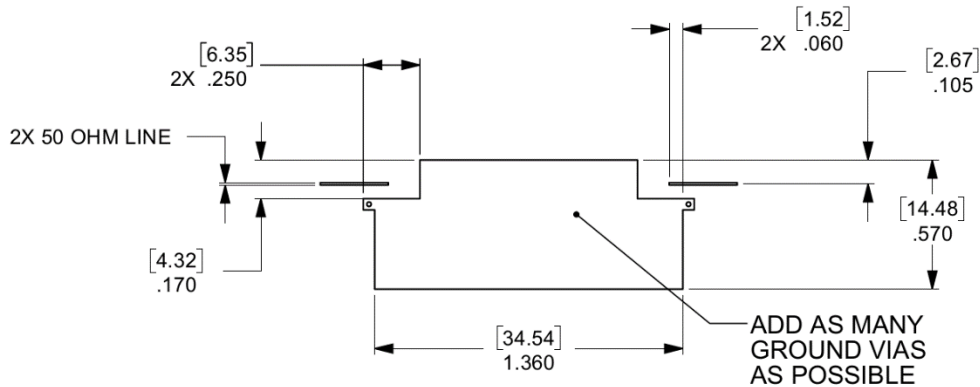
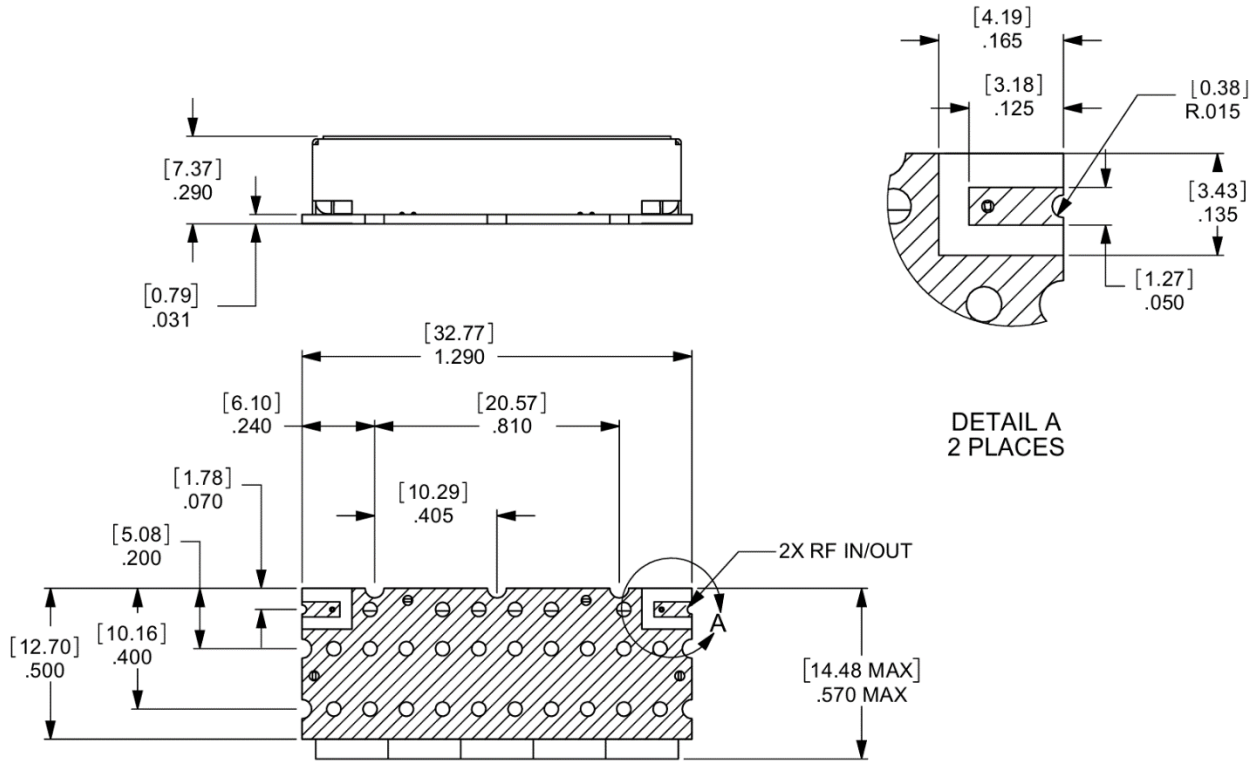
Parameter	Specification
Center Frequency (Fo)	1800 MHz
Passband	0.1 dBc max from 1750 MHz to 1850 MHz
Return Loss	16 dB from 1750 MHz to 1850 MHz
Insertion Loss	1.0 dBa max @ 1800 MHz
Rejection	-65 dBc min @ 850 MHz -65 dBc min @ 900 MHz -60 dBc min @ 924 MHz -60 dBc min @ 1200 MHz -60 dBc min @ 1400 MHz -55 dBc min @ 2427 MHz -60 dBc min @ 3500 MHz -60 dBc min @ 4000 MHz
Temperature, Operating	-40°C to +80°C
Temperature, Storage	-55°C to +125°C
Temperature, Soldering	+215°C MAX (use convective reflow)
Mechanical Dimensions	1.290 x 0.570 x 0.290 inches [32.77 x 14.48 x 7.37 mm] (L X W X H)

This document contains proprietary information and is to be used only for the purposes for which it has been supplied and is not to be duplicated or disclosed in whole or in part without written permission from a duly authorized representative of Knowles.

Phone: 1-315-655-8710 • Email: KPD-NA-sales@knowles.com • www.knowlesc capacitors.com

Product and product information are subject to change without notice.

P/N: 936548



RECOMMENDED PAD LAYOUT

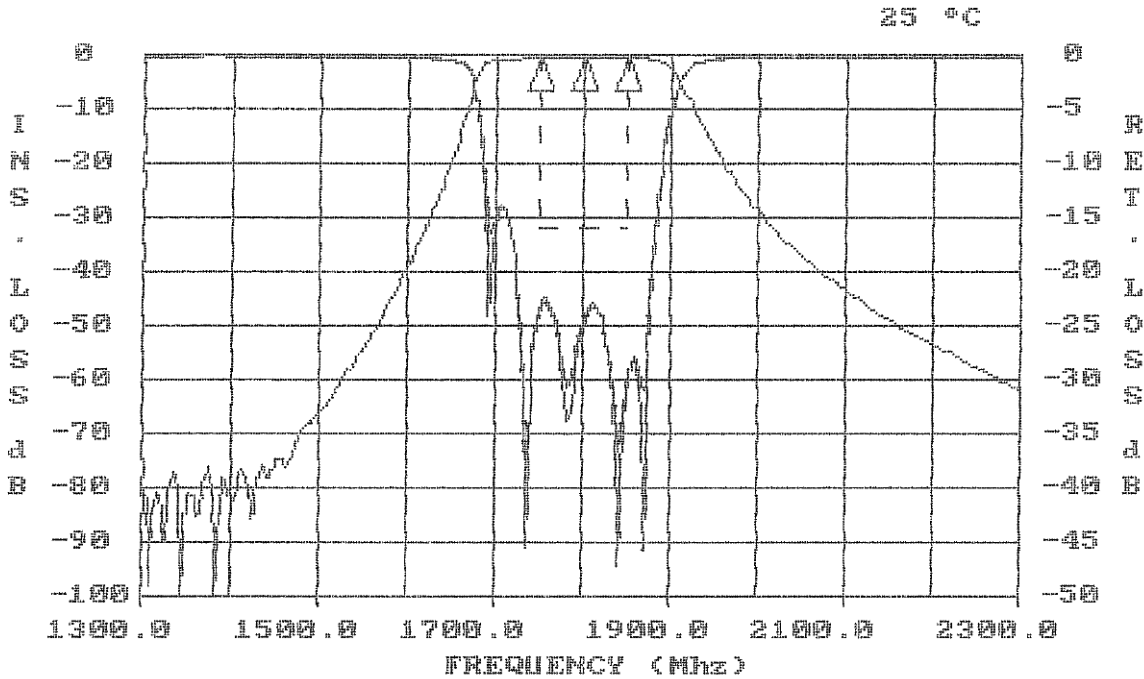
UNLESS OTHERWISE SPECIFIED
DIMENSIONS ARE IN INCHES.
TOLERANCES ARE:

INCHES	MILLIMETERS
.XX ± .02	[X.X] ± .5
.XXX ± .020	[X.XX] ± .51
.XXXX ± .0020	[X.XXX] ± .051

This document contains proprietary information and is to be used only for the purposes for which it has been supplied and is not to be duplicated or disclosed in whole or in part without written permission from a duly authorized representative of Knowles.

Phone: 1-315-655-8710 • Email: KPD-NA-sales@knowles.com • www.knowlesc capacitors.com

Product and product information are subject to change without notice.



FREQUENCY (MHZ)	VALUE	SPEC	COMMENTS
1800	-0.515 dbA	-1 dbA MAX	
1750 - 1850	-0.068 dbC	-0.1 dbC MAX	

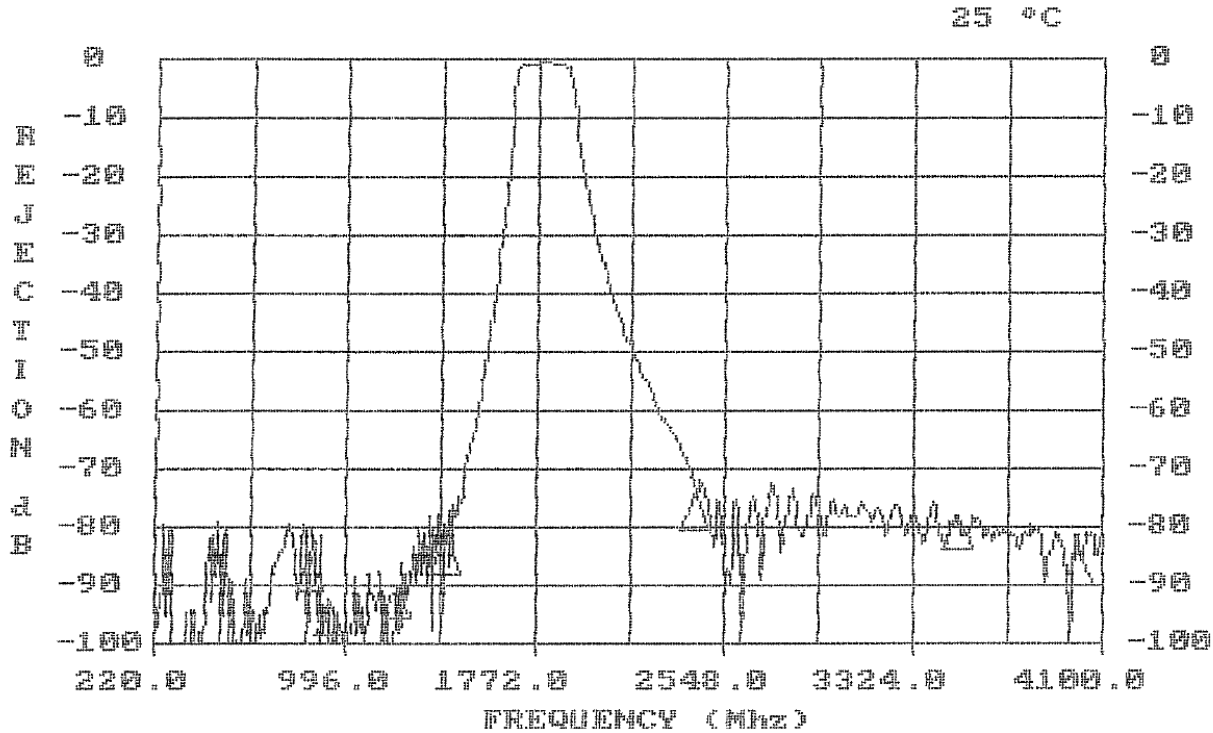
VALUE	SPEC	COMMENTS
223.8 MHZ	100 MHZ MIN	-3dbc Width
1791.02MHZ	1750 MIN	Center Freq.
1791.02MHZ	1850 MAX	Center Freq.

FREQUENCY (MHZ)	VALUE	SPEC	COMMENTS
1750 - 1850	-22.8	-16 db MIN	(S11) - VSWR
1750 - 1850	-22.4	-16 db MIN	(S22) - VSWR

This document contains proprietary information and is to be used only for the purposes for which it has been supplied and is not to be duplicated or disclosed in whole or in part without written permission from a duly authorized representative of Knowles.

Phone: 1-315-655-8710 • Email: KPD-NA-sales@knowles.com • www.knowlesc capacitors.com

Product and product information are subject to change without notice.



FREQUENCY (MHZ)	VALUE	SPEC	COMMENTS
850	-85.6 dbc	-65 dbc MIN	
900	-102.1 dbc	-65 dbc MIN	
924	-93.7 dbc	-60 dbc MIN	
1200	-89.5 dbc	-60 dbc MIN	
1400	-80.5 dbc	-60 dbc MIN	
2427	-73.1 dbc	-55 dbc MIN	
3500	-77.5 dbc	-60 dbc MIN	
4000	-83.1 dbc	-60 dbc MIN	

This document contains proprietary information and is to be used only for the purposes for which it has been supplied and is not to be duplicated or disclosed in whole or in part without written permission from a duly authorized representative of Knowles.

Phone: 1-315-655-8710 • Email: KPD-NA-sales@knowles.com • www.knowlesc capacitors.com

Product and product information are subject to change without notice.