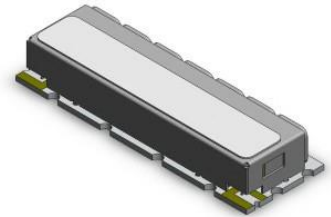


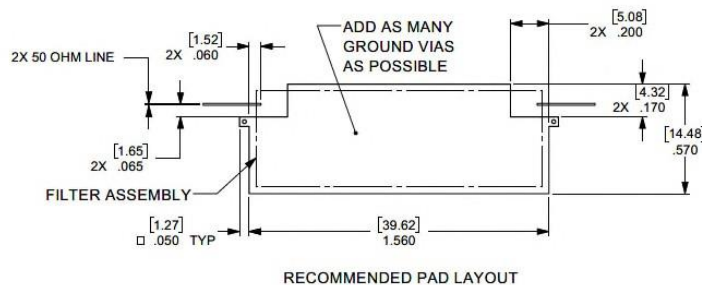
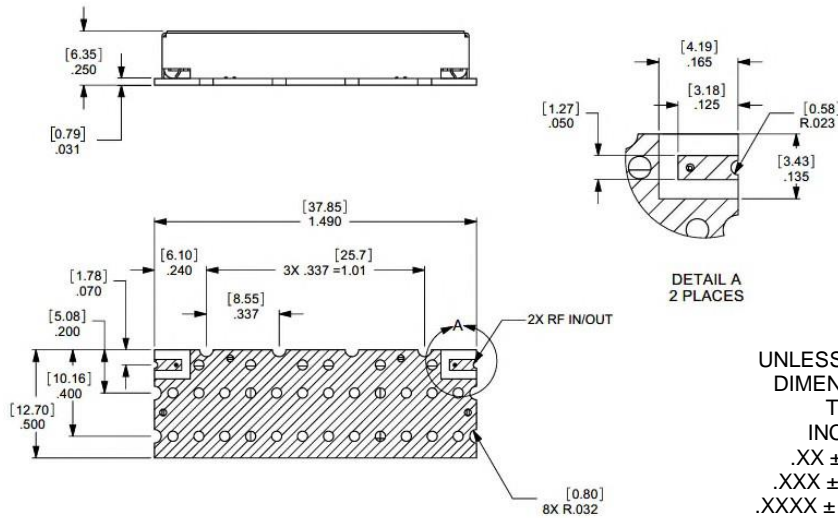
## Ceramic Bandpass Filter



### Features/Benefits

- Surface Mount
- Made in U.S.A.

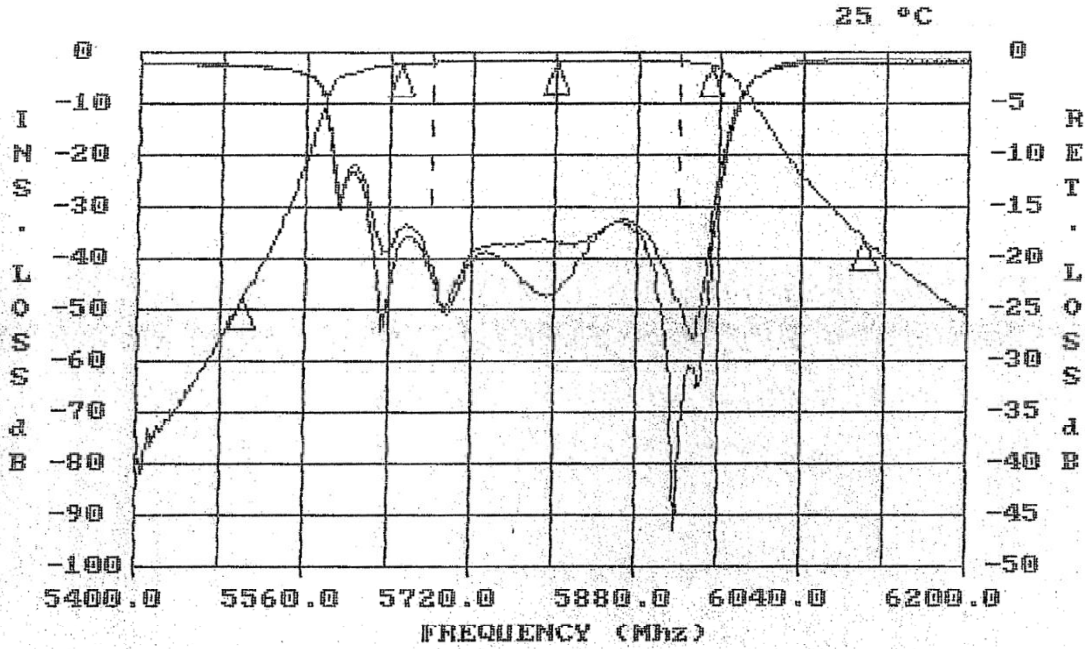
Parameter	Specification
Center Frequency (Fo)	5800 MHz
Passband	-1.5 dBc max from 5650 MHz to 5950 MHz
Return Loss	-15 dB min from 5680 MHz to 5920 MHz
Insertion Loss	-3.25 dBa max @ 5800 MHz
Rejection	-40 dBc min @ 5500 MHz -28 dBc min @ 6100 MHz
Temperature, Operating	-40°C to +80°C
Temperature, Storage	-55°C to +125°C
Temperature, Soldering	+215°C MAX (use convective reflow)
Mechanical Dimensions	1.490 x 0.500 x 0.250 inches [37.85 x 12.70 x 6.35 mm] (L X W X H)



This document contains proprietary information and is to be used only for the purposes for which it has been supplied and is not to be duplicated or disclosed in whole or in part without written permission from a duly authorized representative of Knowles.

Phone: 1-315-655-8710 • Email: KPD-NA-sales@knowles.com • www.knowlescapacitors.com

Product and product information are subject to change without notice.



FREQUENCY (MHZ)	VALUE	SPEC	COMMENTS
5800	-2.01 dbA	-3.25dbA MAX	
5500	-45.9 dbC	-40 dbC MIN	
6100	-34.3 dbC	-28 dbC MIN	
5650 - 5950	-.827 dbC	-1.5 dbC MAX	
	VALUE	SPEC	COMMENTS
	380.4 MHZ	300 MHZ MIN	-3dbC Width
	5780.03MHZ	5680 MIN	Center Freq.
	5780.03MHZ	5920 MAX	Center Freq.
FREQUENCY (MHZ)	VALUE	SPEC	COMMENTS
5680 - 5920	-16.2	-15 db MIN	(S11) - VSWR
5680 - 5920	-16.4	-15 db MIN	(S22) - VSWR

This document contains proprietary information and is to be used only for the purposes for which it has been supplied and is not to be duplicated or disclosed in whole or in part without written permission from a duly authorized representative of Knowles.