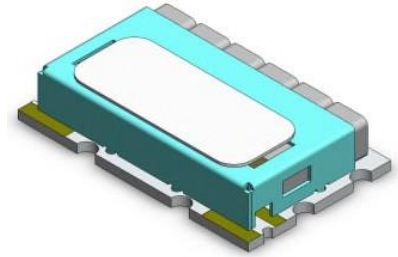


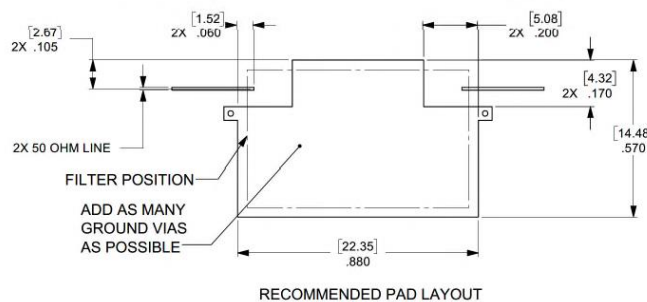
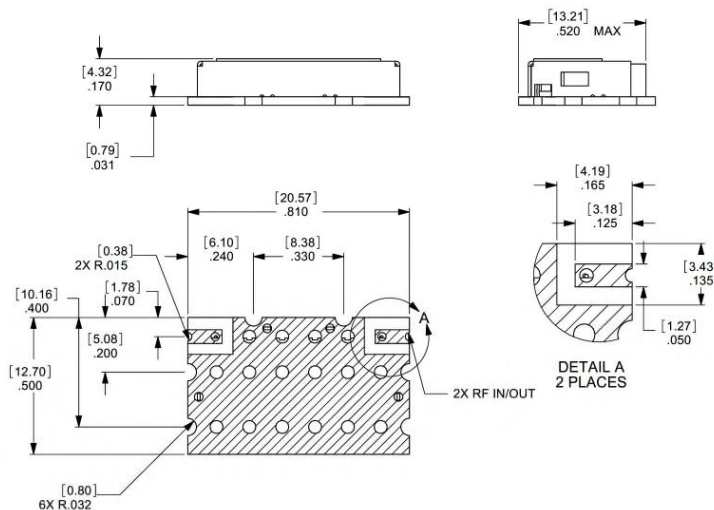
Ceramic Bandreject Filter

Features/Benefits

- Surface Mount
- Low Profile
- Made in U.S.A.



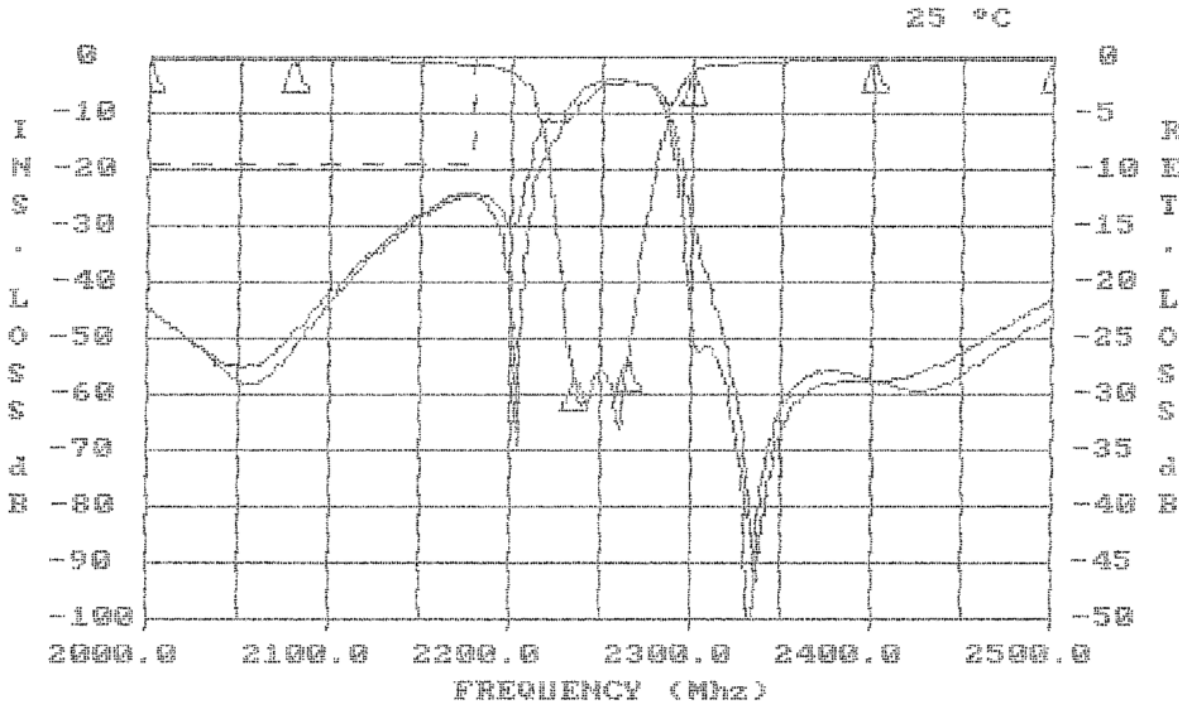
Parameter	Specification
Center Frequency (Fo)	2250 MHz
VSWR	2:1 min from 50 MHz to 2180 MHz 2:1 min from 2300 MHz to 4500 MHz
Insertion Loss	-1.0 dBa max from 50 MHz to 2080 MHz -3.5 dBa max from 2300 MHz to 2400 MHz -1.5 dBa max from 2400 MHz to 4500 MHz
Rejection	-50 dBc min from 2235 MHz to 2265 MHz
Temperature, Operating	-40°C to +85°C
Temperature, Storage	-55°C to +125°C
Temperature, Soldering	+215°C MAX (use convective reflow)
Mechanical Dimensions	0.810 x 0.500 x 0.170 inches [20.57 x 12.70 x 4.32 mm] (L X W X H)



UNLESS OTHERWISE SPECIFIED
DIMENSIONS ARE IN INCHES.
TOLERANCES ARE:

INCHES	MILLIMETERS
.XX ± .02	[X.X] ± .5
.XXX ± .020	[X.XX] ± .51
.XXXX ± .0020	[X.XXX] ± .051

This document contains proprietary information and is to be used only for the purposes for which it has been supplied and is not to be duplicated or disclosed in whole or in part without written permission from a duly authorized representative of Knowles.



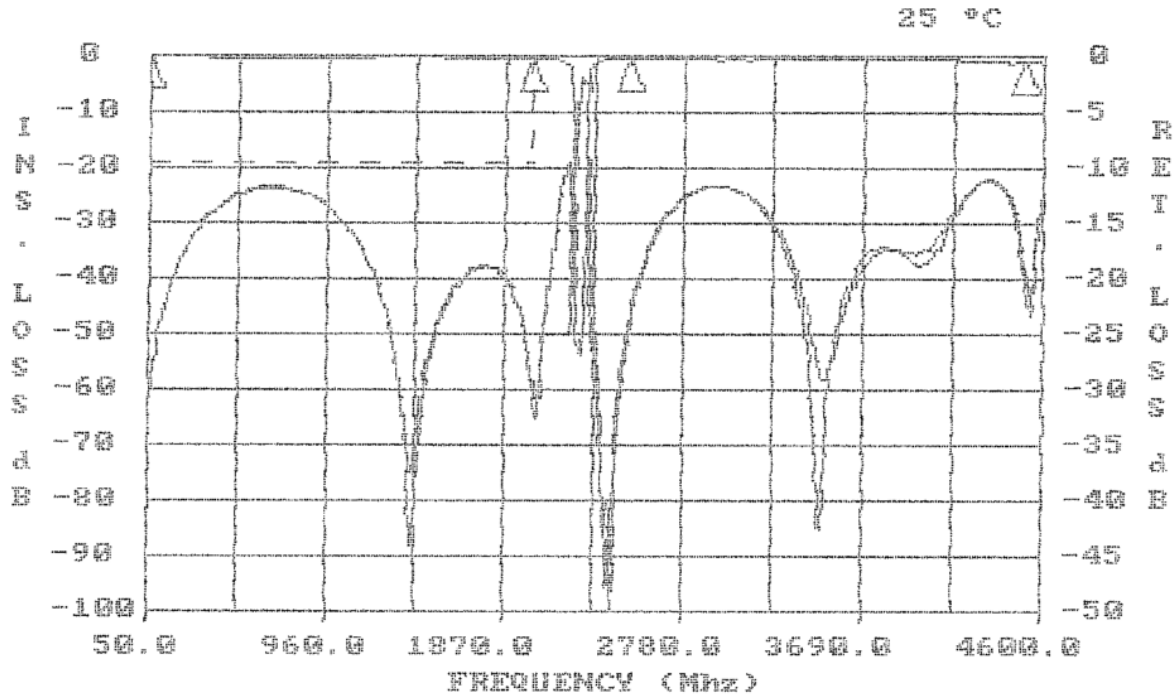
FREQUENCY (MHZ)	VALUE	SPEC	COMMENTS
2000 - 2080	-1.348 dbA	-1 dbA MAX	
2300 - 2400	-2.67 dbA	-3.5 dbA MAX	
2400 - 2500	-1.408 dbA	-1.5 dbA MAX	
2235 - 2265	-53.6 dbA	-50 dbA MIN	

FREQUENCY (MHZ)	VALUE	SPEC	COMMENTS
2000 - 2180	-12.0	2 :1 MAX	(S11) - VSWR
2300 - 2500	-14.7	2 :1 MAX	(S11) - VSWR
2000 - 2180	-12.4	2 :1 MAX	(S22) - VSWR
2300 - 2500	-23.0	2 :1 MAX	(S22) - VSWR

This document contains proprietary information and is to be used only for the purposes for which it has been supplied and is not to be duplicated or disclosed in whole or in part without written permission from a duly authorized representative of Knowles.

Phone: 1-315-655-8710 • Email: KPD-NA-sales@knowles.com • www.knowlescapacitors.com

Product and product information are subject to change without notice.



FREQUENCY (MHZ)	VALUE	SPEC	COMMENTS
50 - 2000	-1.457 dbA	-1 dbA MAX	
2500 - 4500	-1.11 dbA	-1.5 dbA MAX	

FREQUENCY (MHZ)	VALUE	SPEC	COMMENTS
50 - 2000	-11.6	2 :1 MAX	(S11) - VSWR
2500 - 4500	-11.1	2 :1 MAX	(S11) - VSWR
50 - 2000	-11.7	2 :1 MAX	(S22) - VSWR
2500 - 4500	-11.0	2 :1 MAX	(S22) - VSWR

This document contains proprietary information and is to be used only for the purposes for which it has been supplied and is not to be duplicated or disclosed in whole or in part without written permission from a duly authorized representative of Knowles.

Phone: 1-315-655-8710 • Email: KPD-NA-sales@knowles.com • www.knowlescapacitors.com

Product and product information are subject to change without notice.