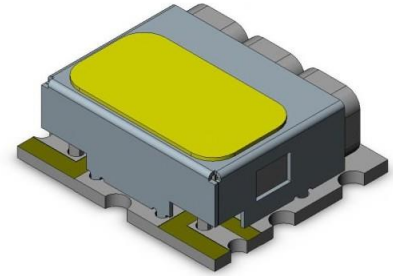


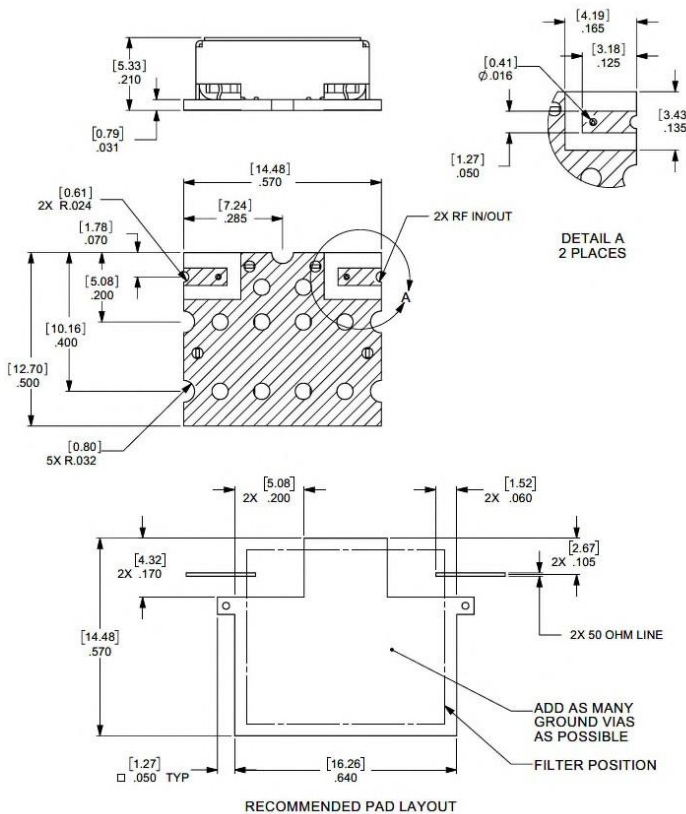
GPS L1 Filter

Features/Benefits

- High Q ceramic
- Low cost
- Low insertion loss
- Small size
- Surface mount
- Made in U.S.A.
- RoHS-compliant version available



Parameter	Specification
Center Frequency (Fo)	1575.42 MHz (GPS L1 band)
Insertion Loss	< 1.75 dBa over PB
Passband (PB)	1575.42 ± 10 MHz, min
Return Loss	15 dB over PB
Rejection	-50 dBc min @ 900 MHz -3 dBc min @ 1507.92 MHz, 1642.92 MHz -45 dBc min @ 1237 MHz
Temperature, Operating	-40C to +85C
Temperature, Storage	-55C to +125C
Temperature, Soldering	+215C MAX (use convective reflow)
Mechanical Dimensions	0.570 x 0.500 x 0.210 inches [14.48 x 12.70 x 5.33 mm]



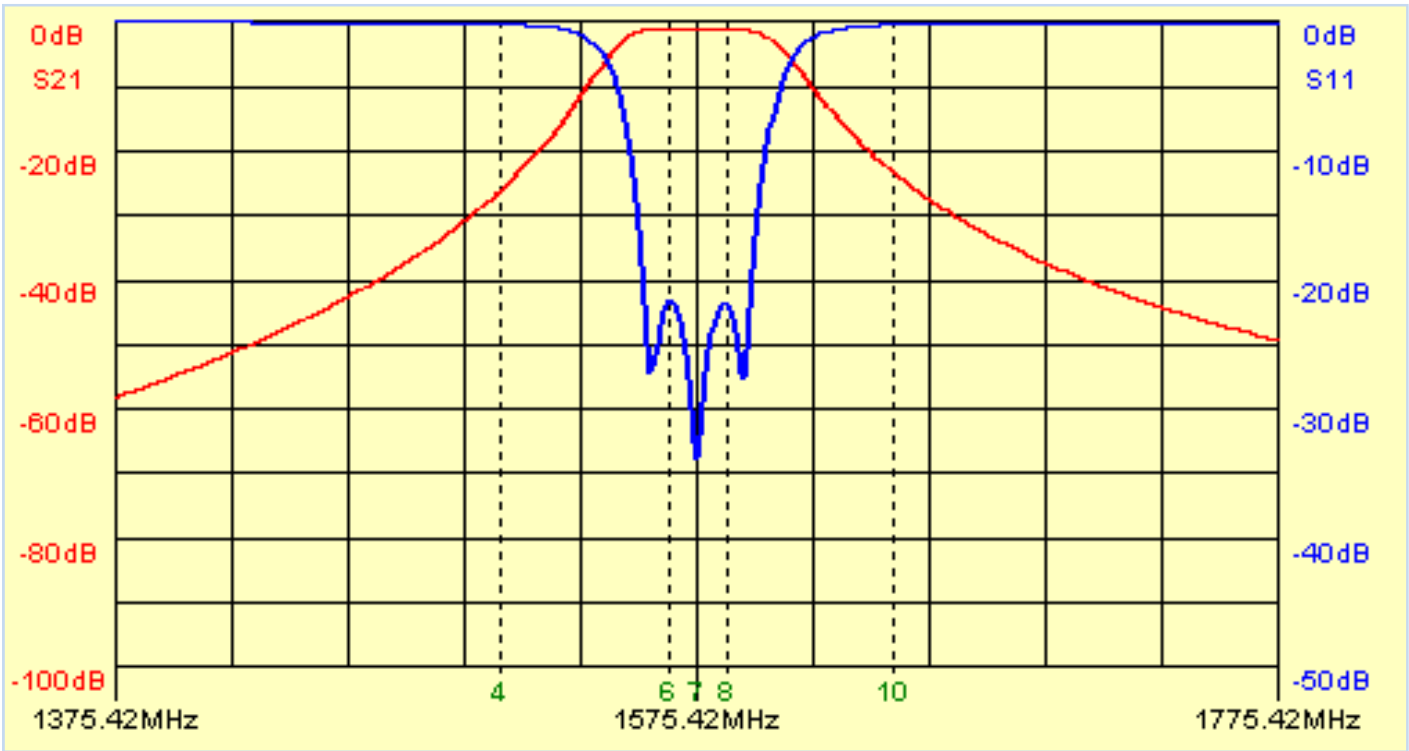
UNLESS OTHERWISE SPECIFIED
DIMENSIONS ARE IN INCHES.
TOLERANCES ARE:

INCHES	MILLIMETERS
.XX ± .02	[X.X] ± .5
.XXX ± .020	[X.XX] ± .51
.XXXX ± .0020	[X.XXX] ± .051

This document contains proprietary information and is to be used only for the purposes for which it has been supplied and is not to be duplicated or disclosed in whole or in part without written permission from a duly authorized representative of Knowles.

Phone: 1-315-655-8710 • Email: KPD-NA-sales@knowles.com • www.knowlescapacitors.com

Product and product information are subject to change without notice.



This document contains proprietary information and is to be used only for the purposes for which it has been supplied and is not to be duplicated or disclosed in whole or in part without written permission from a duly authorized representative of Knowles.

Phone: 1-315-655-8710 • Email: KPD-NA-sales@knowles.com • www.knowlesc capacitors.com

Product and product information are subject to change without notice.