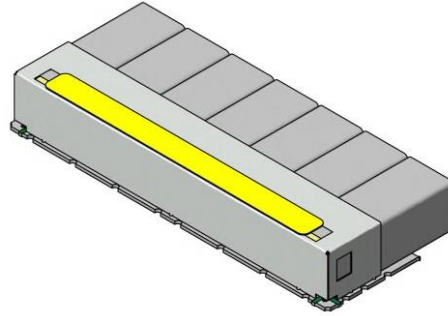


Ceramic Bandpass Filter

Features/Benefits

- RoHS Compliant
- Ceramic Filter
- Low Cost
- Low Profile

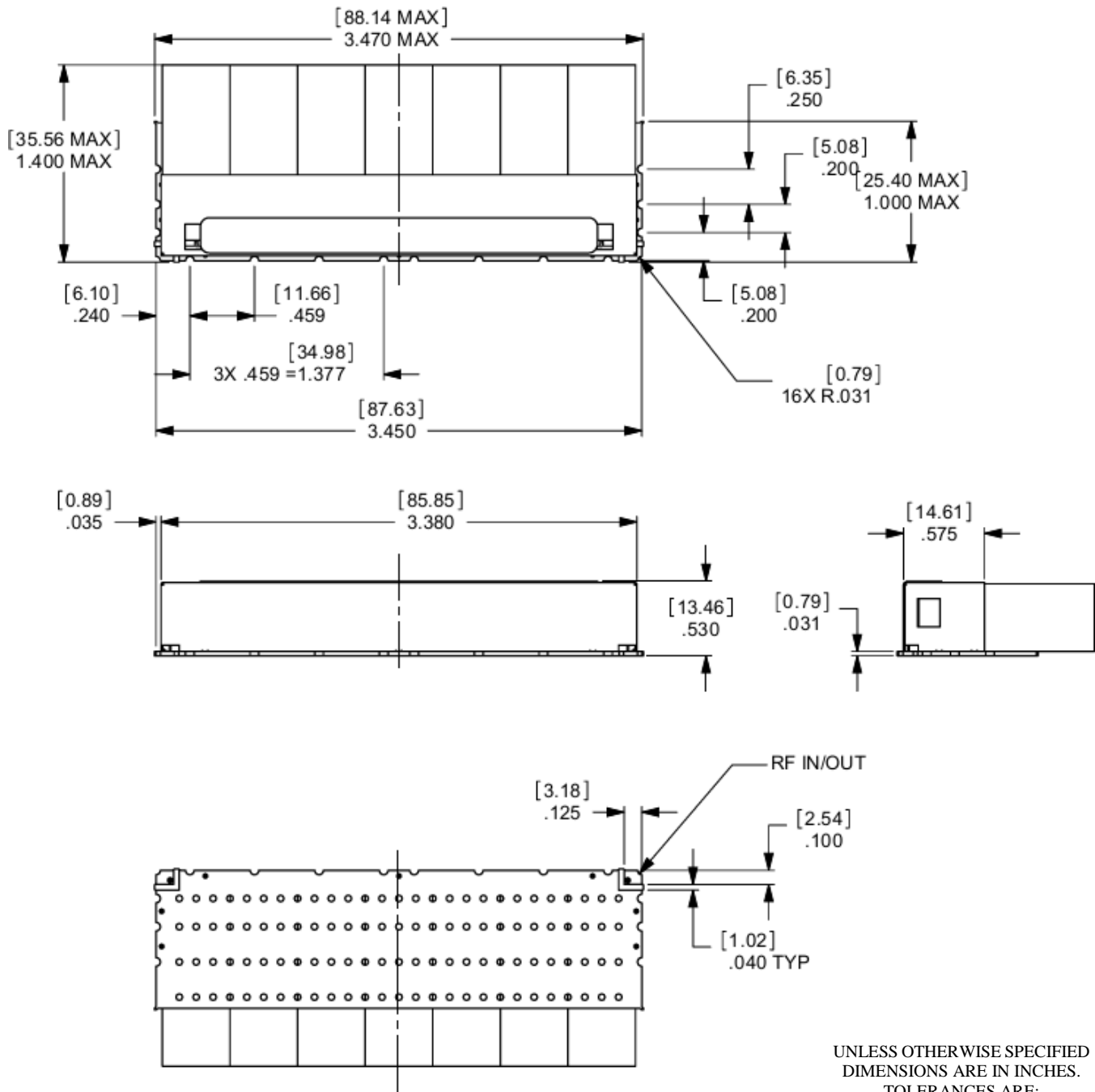


Parameter	Specification
Center Frequency (Fo)	255 MHz
1 db passband	30 MHz min
Insertion Loss	1.1 dBa max @ Fo
Return Loss	15 dB min from 240 MHz to 270 MHz
Rejection	-45 dBc Min @ 290 MHz
Temperature, Operating	-40 C to +80 C
Temperature, Storage	-55 C to +125 C
Temperature, Soldering	+215 C MAX (use convective reflow)
Mechanical Dimensions	3.470 x 1.400 x 0.530 inches [88.14 x 35.56 x 13.46 mm] (L X W X H)

This document contains proprietary information and is to be used only for the purposes for which it has been supplied and is not to be duplicated or disclosed in whole or in part without written permission from a duly authorized representative of Knowles.

Phone: 1-315-655-8710 • Email: KPD-NA-sales@knowles.com • www.knowlescapacitors.com

Product and product information are subject to change without notice.



UNLESS OTHERWISE SPECIFIED
DIMENSIONS ARE IN INCHES.

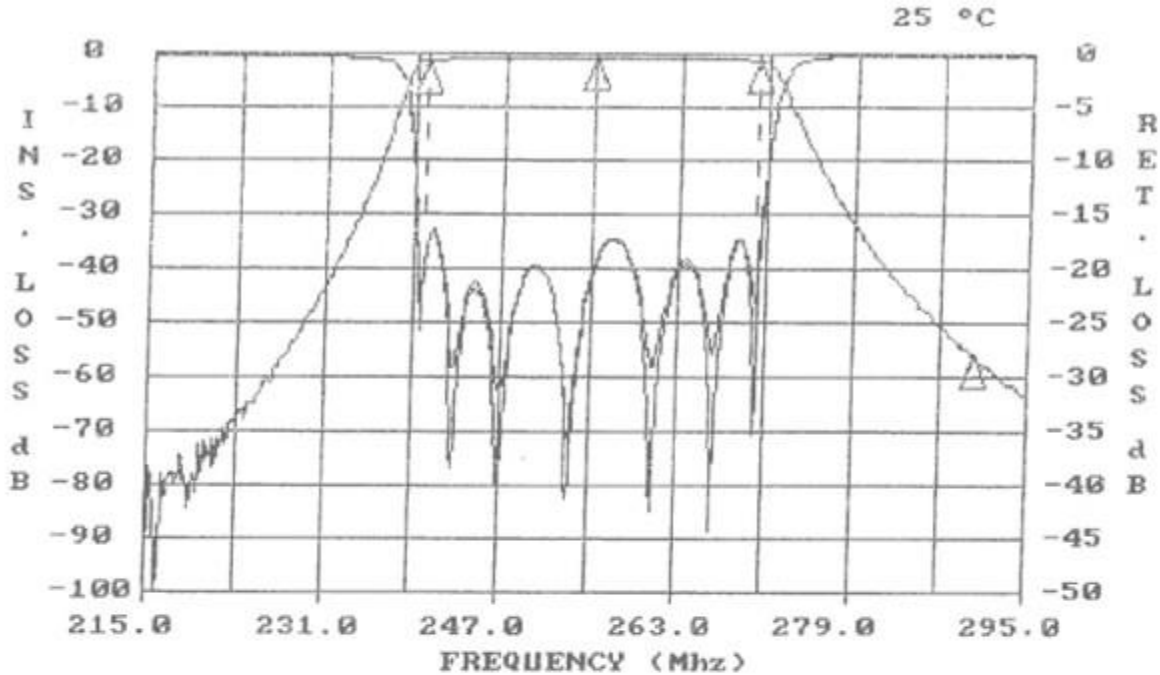
TOLERANCES ARE:

INCHES	MILLIMETERS
.XX ± .02	[X.X] ± .5
.XXX ± .020	[X.XX] ± .51
.XXXX ± .0020	[X.XXXX] ± .051

This document contains proprietary information and is to be used only for the purposes for which it has been supplied and is not to be duplicated or disclosed in whole or in part without written permission from a duly authorized representative of Knowles.

Phone: 1-315-655-8710 • Email: KPD-NA-sales@knowles.com • www.knowlescapacitors.com

Product and product information are subject to change without notice.



FREQUENCY (MHZ)	VALUE	SPEC	COMMENTS
255	-1.1 dbA	-1.1 dbA MAX	
240 - 270	-45.2 dbC	-45 dbC MIN	
240 - 270	-1.701 dbC	-1 dbC MAX	

VALUE	SPEC	COMMENTS
33.12 MHZ	30 MHZ MIN	-3dbC Width
255.086MHZ	240 MIN	Center Freq.
255.086MHZ	270 MAX	Center Freq.

FREQUENCY (MHZ)	VALUE	SPEC	COMMENTS
240 - 270	-16.6	-15 db MIN	(S11) - VSWR
240 - 270	-16.5	-15 db MIN	(S22) - VSWR

This document contains proprietary information and is to be used only for the purposes for which it has been supplied and is not to be duplicated or disclosed in whole or in part without written permission from a duly authorized representative of Knowles.