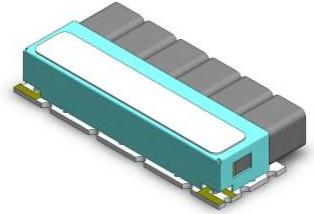


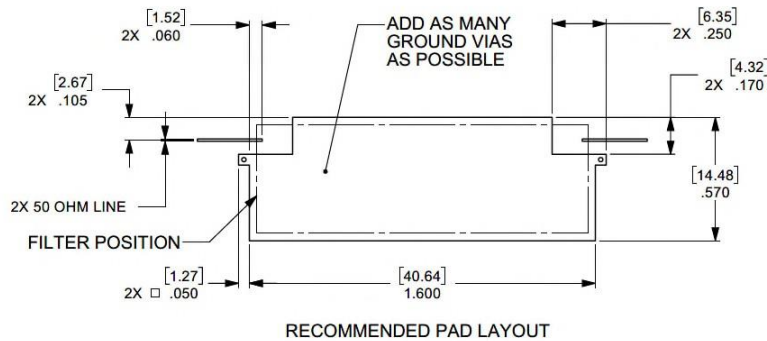
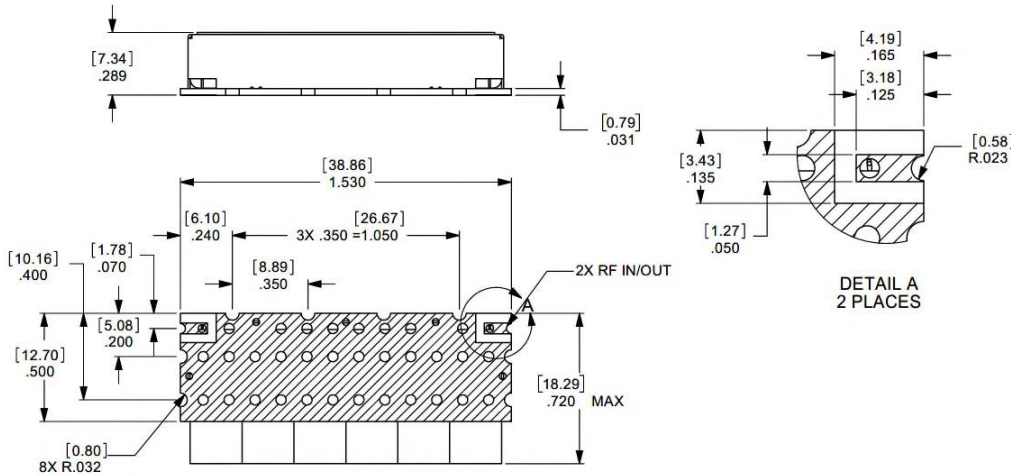
Ceramic Bandpass Filter

Features/Benefits

- Surface Mount
- Made in U.S.A.



Parameter	Specification
Center Frequency (Fo)	1400 MHz
Passband	-2.0 dBc max from 1381.5 MHz to 1418.5 MHz
Return Loss	-15 dB min from 1381.5 MHz to 1418.5 MHz
Insertion Loss	-3.0 dBa max @ 1400 MHz
Rejection	-60 dBc min @ 1325 MHz -60 dBc min @ 1475 MHz
Group Delay	2 ns max variation from 1395 MHz to 1405 MHz
Temperature, Operating	-40°C to +70°C
Temperature, Storage	-55°C to +125°C
Temperature, Soldering	+215°C MAX (use convective reflow)
Mechanical Dimensions	1.530 x 0.720 x 0.289 inches [38.86 x 18.29 x 7.34 mm] (L X W X H)



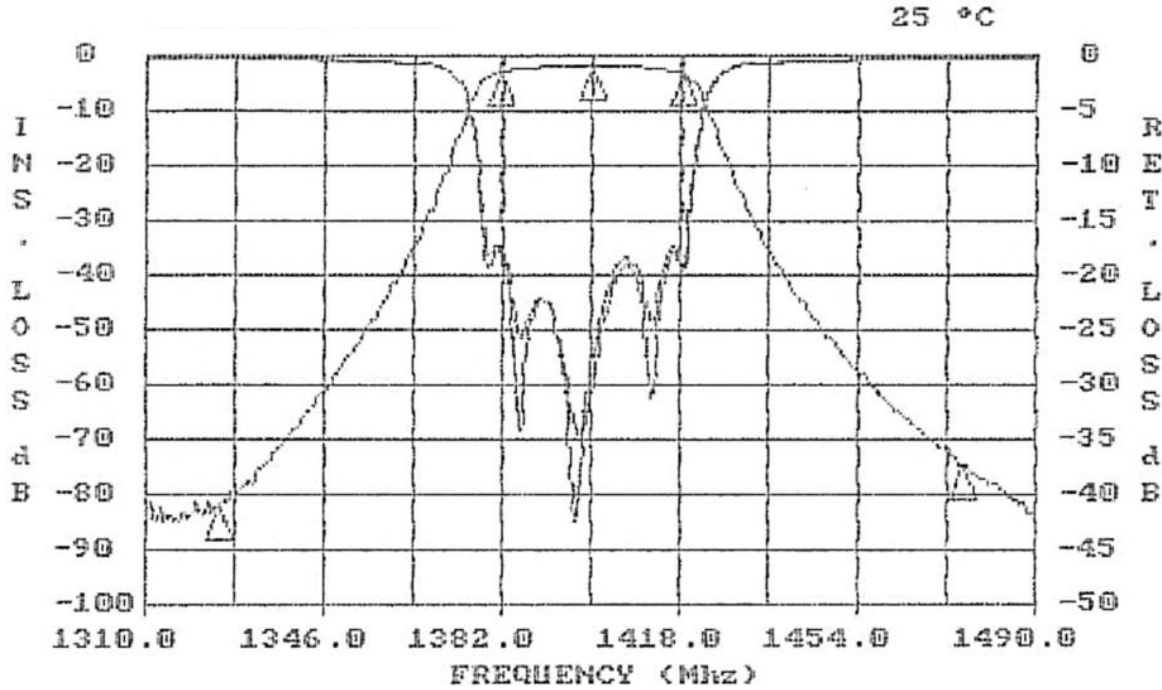
UNLESS OTHERWISE SPECIFIED
DIMENSIONS ARE IN INCHES.
TOLERANCES ARE:

INCHES	MILLIMETERS
.XX ± .02	[X.X] ± .5
.XXX ± .020	[X.XX] ± .51
.XXXX ± .0020	[X.XXX] ± .051

This document contains proprietary information and is to be used only for the purposes for which it has been supplied and is not to be duplicated or disclosed in whole or in part without written permission from a duly authorized representative of Knowles.

Phone: 1-315-655-8710 • Email: KPD-NA-sales@knowles.com • www.knowlescapacitors.com

Product and product information are subject to change without notice.



FREQUENCY (MHZ)	VALUE	SPEC	COMMENTS
1400	-2.11 dbA	-3 dbA MAX	
1325	-79.9 dbC	-60 dbC MIN	
1475	-72.3 dbC	-60 dbC MIN	
1381.5- 1418.5	-1.24 dbC	-2 dbC MAX	

FREQUENCY (MHZ)	VALUE	SPEC	COMMENTS
1395 - 1405	.914 nsC	2 nsC VAR	Group Delay

FREQUENCY (MHZ)	VALUE	SPEC	COMMENTS
1381.5- 1418.5	-17.3	-15 db MIN	(S11) - VSWR
1381.5- 1418.5	-17.3	-15 db MIN	(S22) - VSWR

This document contains proprietary information and is to be used only for the purposes for which it has been supplied and is not to be duplicated or disclosed in whole or in part without written permission from a duly authorized representative of Knowles.