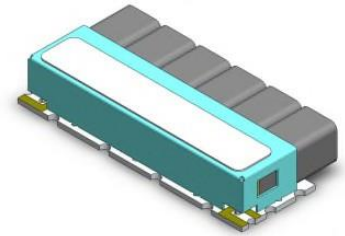


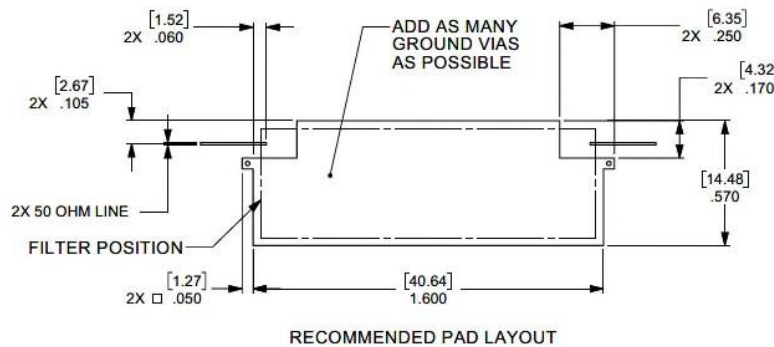
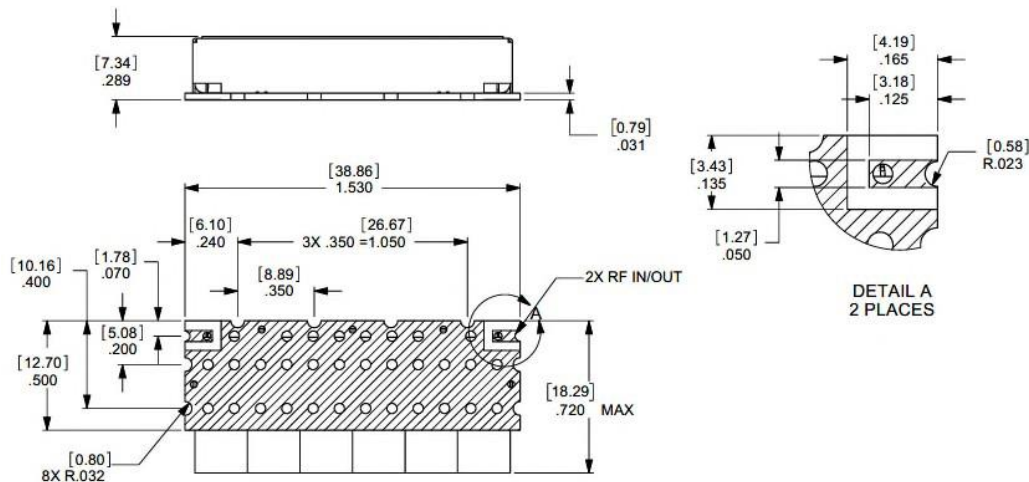
## Ceramic Bandpass Filter

### Features/Benefits

- Surface Mount
- Made in U.S.A.



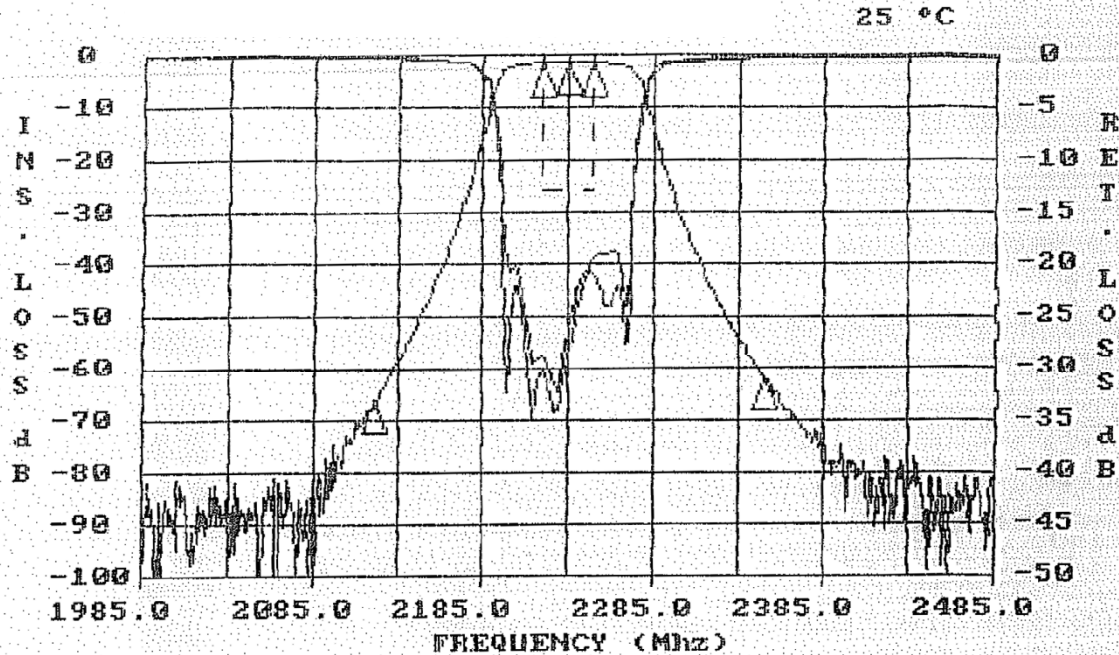
Parameter	Specification
Center Frequency (F <sub>o</sub> )	2235 MHz
Passband	-1.0 dBc max from 2220 MHz to 2250 MHz
Return Loss	-13 dB min from 2220 MHz to 2250 MHz
Insertion Loss	-3.0 dBa max @ 2235 MHz
Rejection	-60 dBc min @ 2120 MHz -60 dBc min @ 2350 MHz
Temperature, Operating	-20°C to +70°C
Temperature, Storage	-55°C to +125°C
Temperature, Soldering	+215°C MAX (use convective reflow)
Mechanical Dimensions	1.530 x 0.720 x 0.289 inches [38.86 x 18.29 x 7.34 mm] (L X W X H)



UNLESS OTHERWISE SPECIFIED  
DIMENSIONS ARE IN INCHES.  
TOLERANCES ARE:

INCHES	MILLIMETERS
.XX ± .02	[X.X] ± .5
.XXX ± .020	[X.XX] ± .51
.XXXX ± .0020	[X.XXX] ± .051

This document contains proprietary information and is to be used only for the purposes for which it has been supplied and is not to be duplicated or disclosed in whole or in part without written permission from a duly authorized representative of Knowles.



FREQUENCY (MHZ)	VALUE	SPEC	COMMENTS
2235	-1.65 dbA	-3 dbA MAX	
2120	-64.6 dbC	-60 dbC MIN	
2350	-60.4 dbC	-60 dbC MIN	
2220 - 2250	-.097 dbC	-1 dbC MAX	

VALUE	SPEC	COMMENTS
81.49 MHZ	30 MHZ MIN	-3dbC Width
2235.02MHZ	2135 MIN	Center Freq.
2235.02MHZ	2335 MAX	Center Freq.

FREQUENCY (MHZ)	VALUE	SPEC	COMMENTS
2220 - 2250	-20.6	-13 db MIN	(S11) - VSWR
2220 - 2250	-19.5	-13 db MIN	(S22) - VSWR

This document contains proprietary information and is to be used only for the purposes for which it has been supplied and is not to be duplicated or disclosed in whole or in part without written permission from a duly authorized representative of Knowles.

This document contains proprietary information and is to be used only for the purposes for which it has been supplied and is not to be duplicated or disclosed in whole or in part without written permission from a duly authorized representative of Knowles.

Phone: 1-315-655-8710 • Email: [KPD-NA-sales@knowles.com](mailto:KPD-NA-sales@knowles.com) • [www.knowlescapacitors.com](http://www.knowlescapacitors.com)

Product and product information are subject to change without notice.