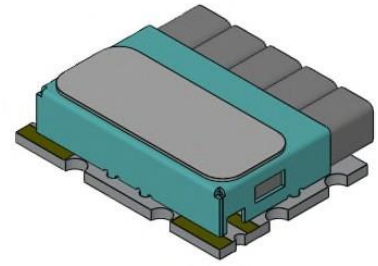


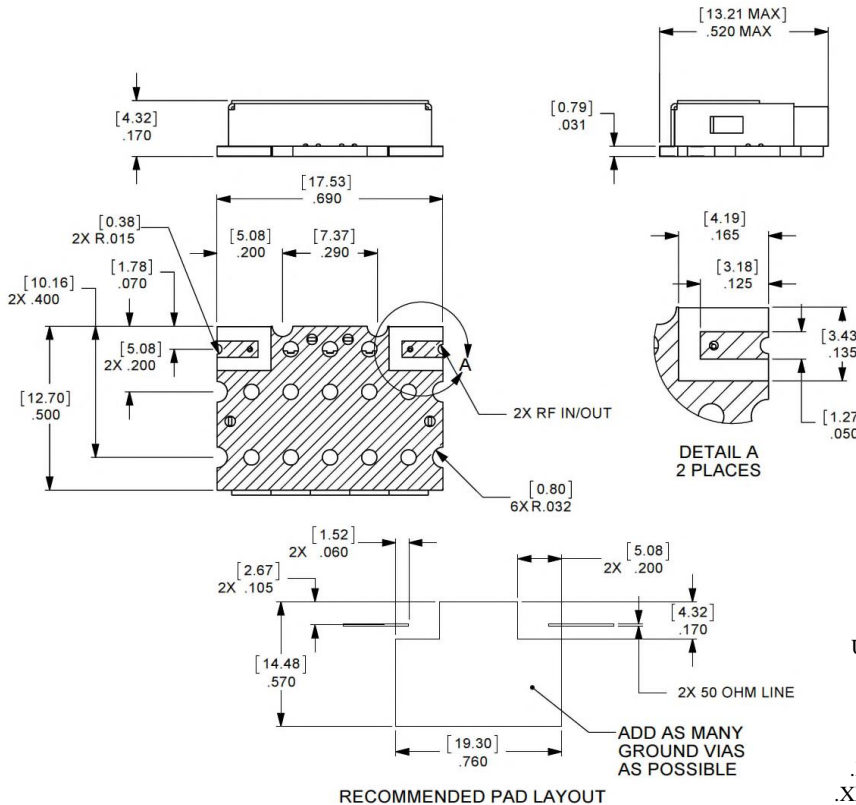
Ceramic Bandpass Filter

Features/Benefits

- Ceramic Filter
- Low Cost
- Low Profile
- Made in U.S.A.



| Parameter | Specification |
|------------------------|--|
| Center Frequency (Fo) | 2250 MHz |
| Passband (PB) | -2.0 dBa max from 2200 MHz to 2300 MHz |
| Return Loss | -14 dB from 2200 MHz to 2300 MHz |
| Rejection | -30 dBc min from 2025 MHz to 2115 MHz |
| Temperature, Operating | -25°C to +85°C |
| Temperature, Storage | -55°C to +125°C |
| Temperature, Soldering | +215°C MAX (use convective reflow) |
| Mechanical Dimensions | 0.690 x 0.520 x 0.170 inches [17.53 x 13.21 x 4.32 mm] |

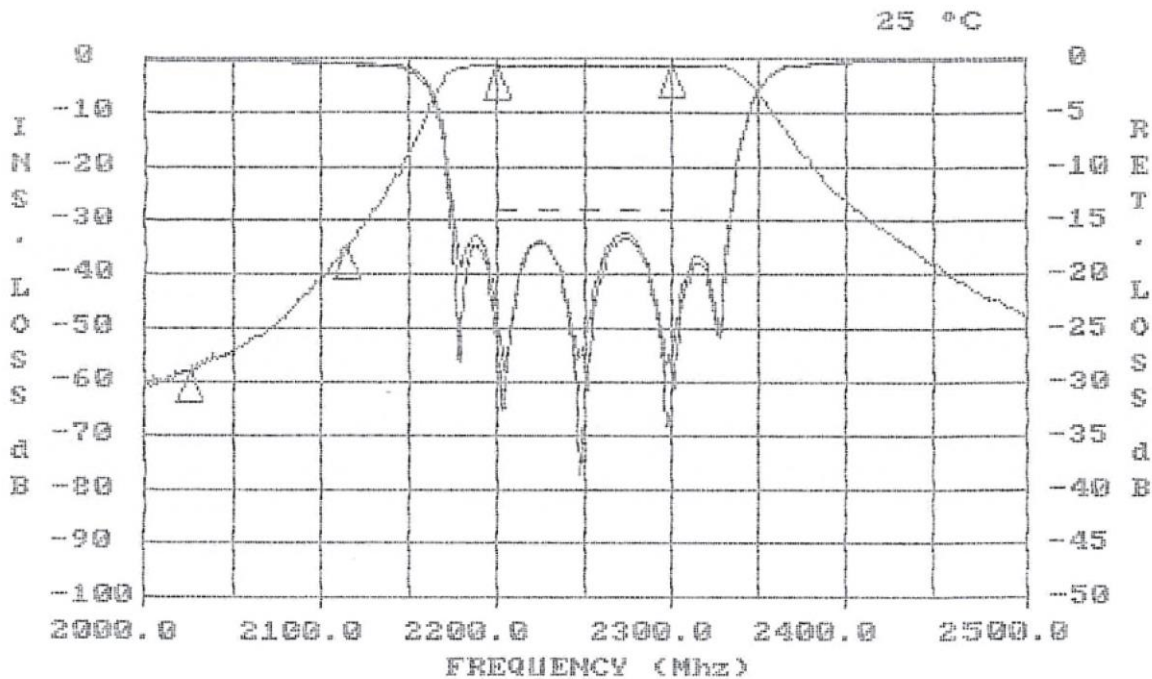


UNLESS OTHERWISE SPECIFIED
DIMENSIONS ARE IN INCHES.
TOLERANCES ARE:

| INCHES | MILLIMETERS |
|---------------|----------------|
| .XX ± .02 | [X.X] ± .5 |
| .XXX ± .020 | [X.XX] ± .51 |
| .XXXX ± .0020 | [X.XXX] ± .051 |

NOTES:
1. UNDIMENSIONED FEATURES ARE SUBJECT TO VARIATION.

This document contains proprietary information and is to be used only for the purposes for which it has been supplied and is not to be duplicated or disclosed in whole or in part without written permission from a duly authorized representative of Knowles.



| FREQUENCY (MHZ) | VALUE | SPEC | COMMENTS |
|-----------------|------------|-------------|--------------|
| 2200 - 2300 | -1.45 dbA | -2 dbA MAX | |
| 2025 - 2115 | -33.7 dbC | -30 dbC MIN | |
| | VALUE | SPEC | COMMENTS |
| | 166.3 MHZ | 100 MHZ MIN | -3dbA Width |
| | 166.3 MHZ | 200 MHZ MAX | -3dbA Width |
| | 2255.98MHZ | 2200 MIN | Center Freq. |
| | 2255.98MHZ | 2300 MAX | Center Freq. |
| FREQUENCY (MHZ) | VALUE | SPEC | COMMENTS |
| 2200 - 2300 | -16.1 | -14 db MIN | (S11) - VSWR |
| 2200 - 2300 | -16.6 | -14 db MIN | (S22) - VSWR |

This document contains proprietary information and is to be used only for the purposes for which it has been supplied and is not to be duplicated or disclosed in whole or in part without written permission from a duly authorized representative of Knowles.