

N261 5G Band 28 GHz Filter

Features/Benefits

- SMT waveguide
- No mismatch during installation
- Compatible with SMA or K field replaceable connectors
- High Q
- Made in U.S.A.

Available Options

- Hot/Cold/Ambient temperature testing with plots
- Weather sealing for outdoor environments

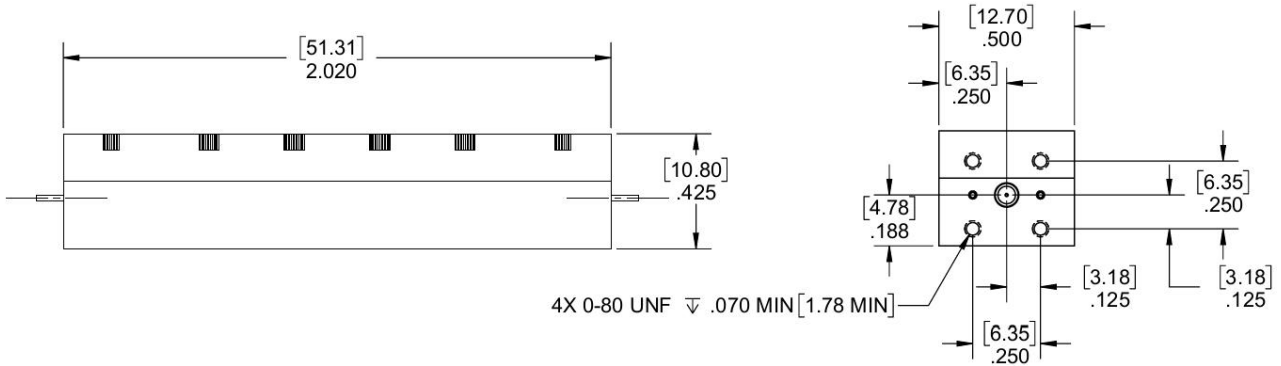


Parameter	Specification
Center Frequency (Fo)	28 GHz
Bandwidth	100 MHz
Temperature, Operating	-20°C to +70°C
Temperature, Storage	-55°C to +125°C
Mechanical Dimensions	2.020 x 0.500 x 0.425 inches [51.31 x 12.70 x 10.80 mm] (L X W X H)

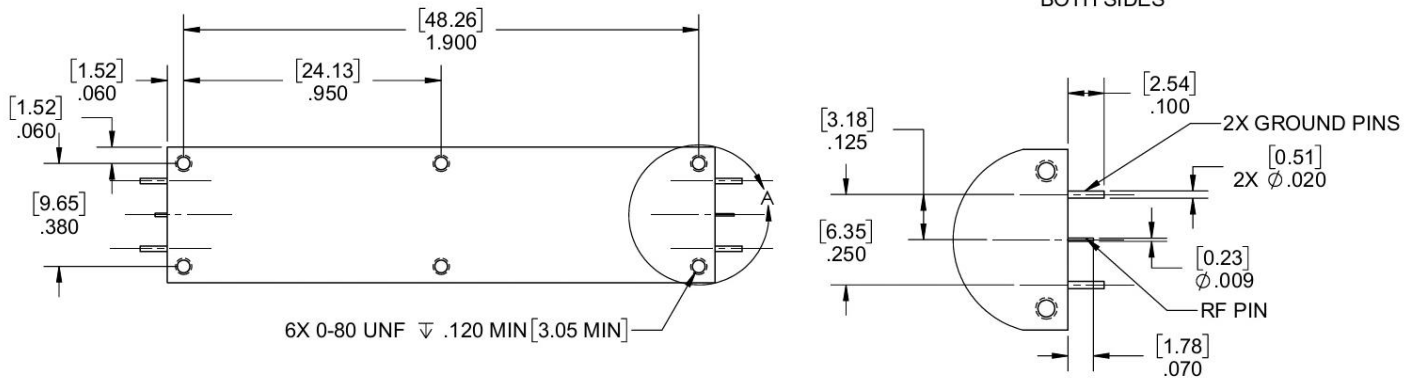
This document contains proprietary information and is to be used only for the purposes for which it has been supplied and is not to be duplicated or disclosed in whole or in part without written permission from a duly authorized representative of Knowles.

Phone: 1-315-655-8710 • Email: KPD-NA-sales@knowles.com • www.knowlescapacitors.com

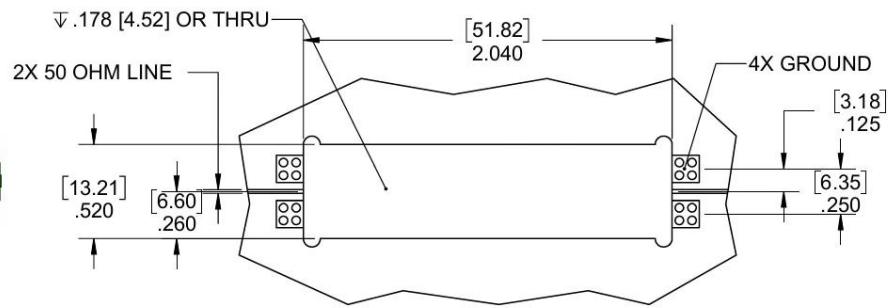
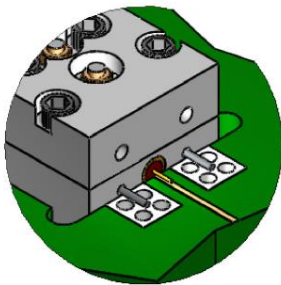
Product and product information are subject to change without notice.



BOTH SIDES



DETAIL A
2 PLACES



RECOMMENDED PAD LAYOUT

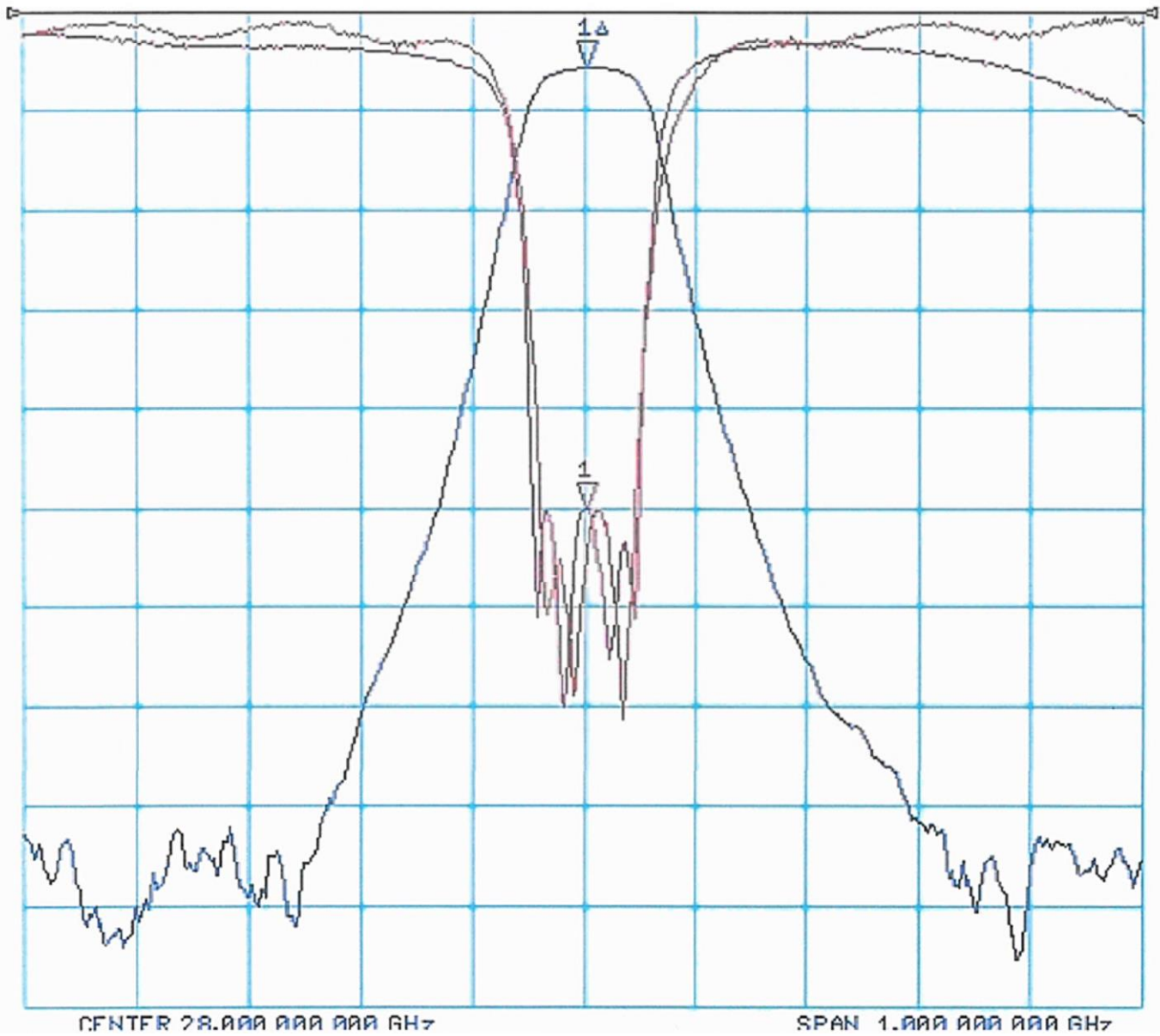
UNLESS OTHERWISE SPECIFIED
 DIMENSIONS ARE IN INCHES.
 TOLERANCES ARE:

INCHES	MILLIMETERS
.XX \pm .02	[X.X] \pm .5
.XXX \pm .010	[X.XX] \pm .25
.XXXX \pm .0020	[X.XXXX] \pm .051

This document contains proprietary information and is to be used only for the purposes for which it has been supplied and is not to be duplicated or disclosed in whole or in part without written permission from a duly authorized representative of Knowles.

Phone: 1-315-655-8710 • Email: KPD-NA-sales@knowles.com • www.knowlescapacitors.com

Product and product information are subject to change without notice.



This document contains proprietary information and is to be used only for the purposes for which it has been supplied and is not to be duplicated or disclosed in whole or in part without written permission from a duly authorized representative of Knowles.

Phone: 1-315-655-8710 • Email: KPD-NA-sales@knowles.com • www.knowlescapacitors.com

Product and product information are subject to change without notice.