

N258 5G Band 24 GHz Filter

Features/Benefits

- SMT waveguide
- No mismatch during installation
- Compatible with SMA or K field replaceable connectors
- High Q
- Made in U.S.A.

Available Options

- Hot/Cold/Ambient temperature testing with plots
- Weather sealing for outdoor environments



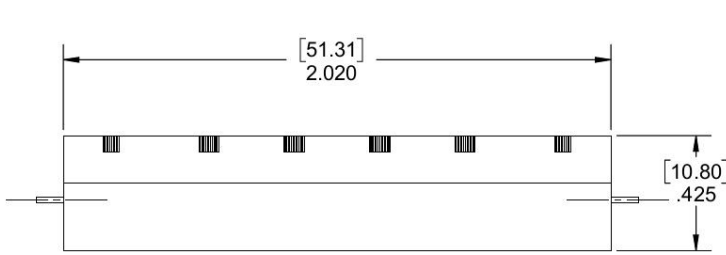
Parameter	Specification
Center Frequency (Fo)	24 GHz
Bandwidth	50 MHz
Temperature, Operating	-20°C to +70°C
Temperature, Storage	-55°C to +125°C
Mechanical Dimensions	2.020 x 0.500 x 0.425 inches [51.31 x 12.70 x 10.80 mm] (L X W X H)

This document contains proprietary information and is to be used only for the purposes for which it has been supplied and is not to be duplicated or disclosed in whole or in part without written permission from a duly authorized representative of Knowles.

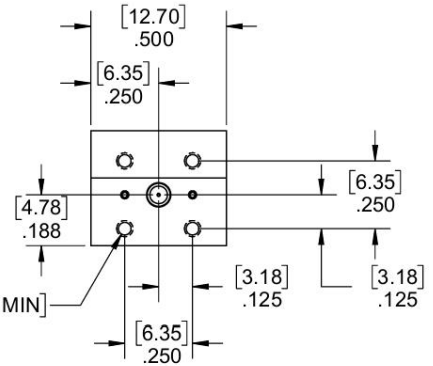
Phone: 1-315-655-8710 • Email: KPD-NA-sales@knowles.com • www.knowlescapacitors.com

Product and product information are subject to change without notice.

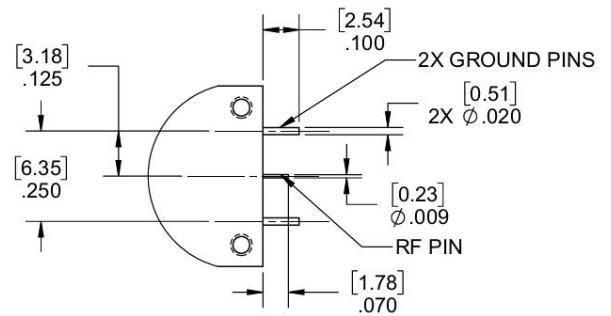
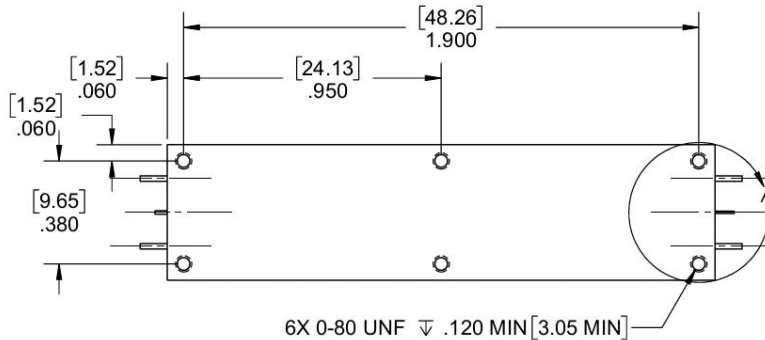
P/N: 943501



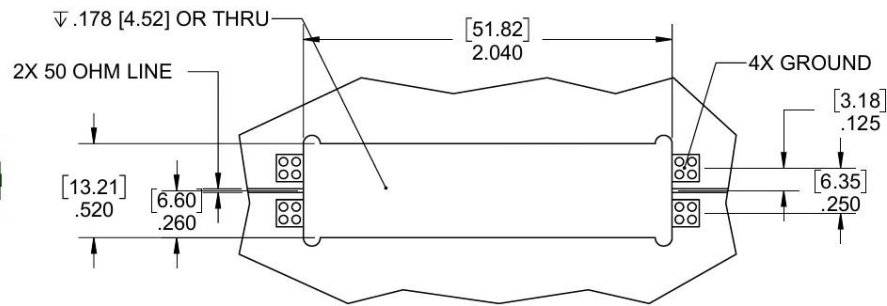
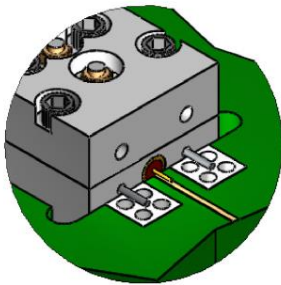
4X 0-80 UNF ∇ .070 MIN [1.78 MIN]



BOTH SIDES



DETAIL A
2 PLACES



RECOMMENDED PAD LAYOUT

UNLESS OTHERWISE SPECIFIED
DIMENSIONS ARE IN INCHES.

TOLERANCES ARE:

INCHES	MILLIMETERS
.XX \pm .02	[X.X] \pm .5
.XXX \pm .010	[X.XX] \pm .25
.XXXX \pm .0020	[X.XXXX] \pm .051

This document contains proprietary information and is to be used only for the purposes for which it has been supplied and is not to be duplicated or disclosed in whole or in part without written permission from a duly authorized representative of Knowles.

Phone: 1-315-655-8710 • Email: KPD-NA-sales@knowles.com • www.knowlescapacitors.com

Product and product information are subject to change without notice.