

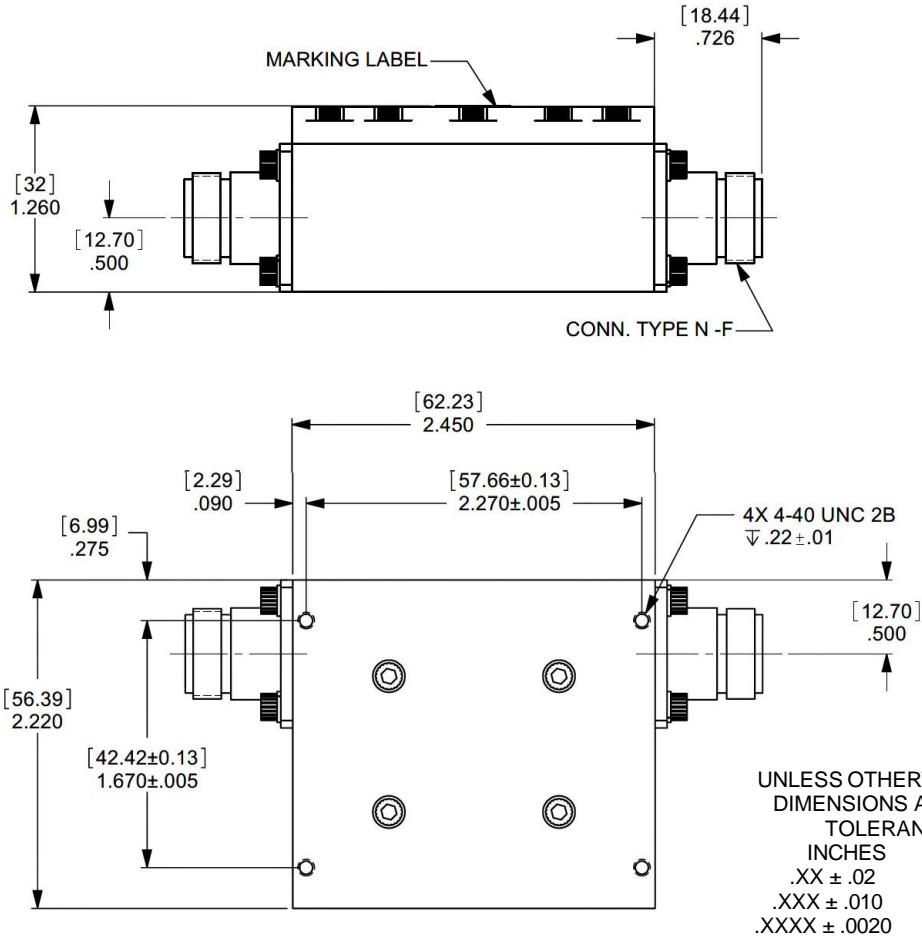
## Cavity Bandpass Filter

### Features/Benefits

- Type N-F Connectors
- Made in U.S.A.



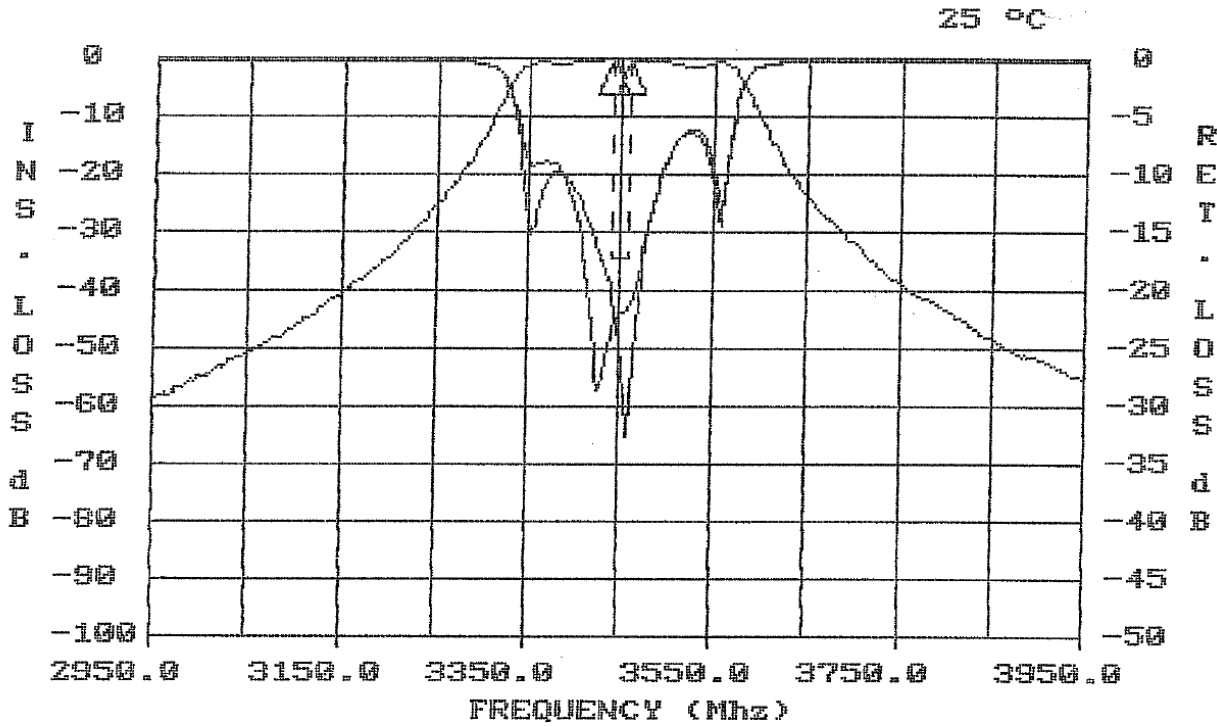
Parameter	Specification
Center Frequency (Fo)	3450 MHz
Passband	-0.35 dBa max from 3440 MHz to 3460 MHz
Return Loss	-17 dB min from 3440 MHz to 3460 MHz
Rejection	-25 dBc min @ 3800 MHz -45 dBc min from 130 MHz to 3100 MHz
Temperature, Operating	-10°C to +55°C
Temperature, Storage	-55°C to +125°C
Mechanical Dimensions	2.450 x 2.220 x 1.260 inches [62.23 x 56.39 x 32.00 mm] (L X W X H)



This document contains proprietary information and is to be used only for the purposes for which it has been supplied and is not to be duplicated or disclosed in whole or in part without written permission from a duly authorized representative of Knowles.

Phone: 1-315-655-8710 • Email: KPD-NA-sales@knowles.com • www.knowlescapacitors.com

Product and product information are subject to change without notice.

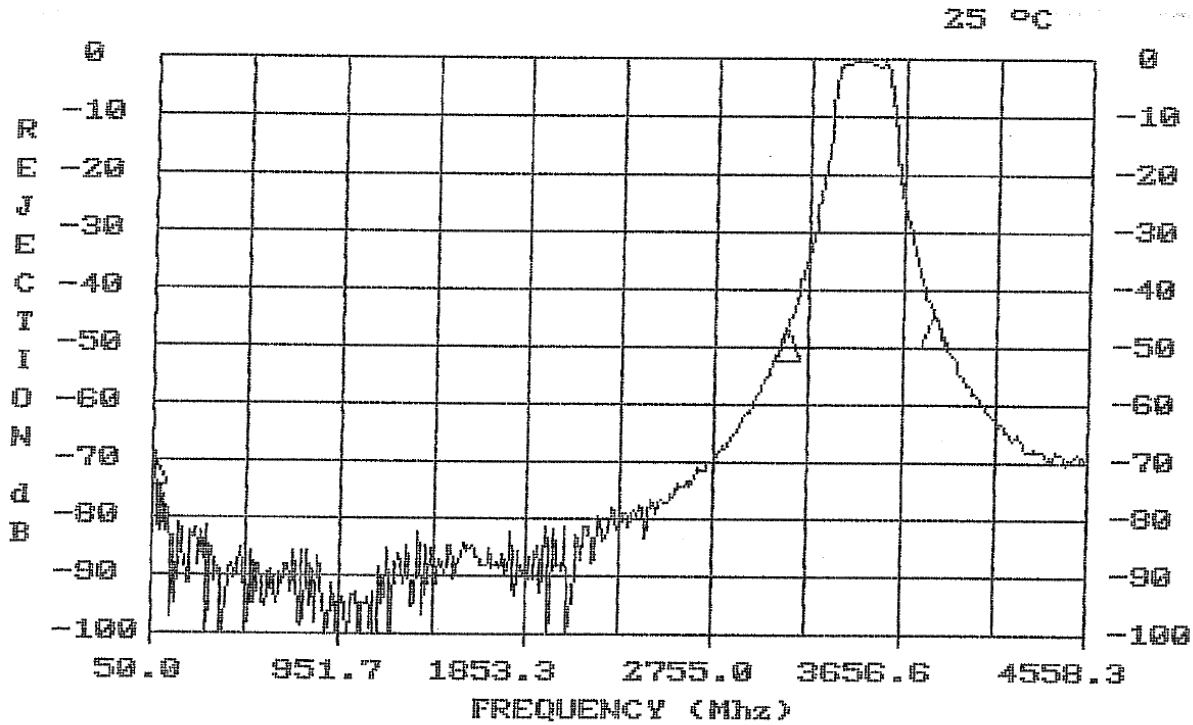


FREQUENCY (MHZ)	VALUE	SPEC	COMMENTS
3440 - 3460	-0.211 dbA	-0.35 dbA MAX	
FREQUENCY (MHZ)	VALUE	SPEC	COMMENTS
3440 - 3460	-21.4	-17 db MIN	(S11) - VSWR
3440 - 3460	-20.0	-17 db MIN	(S22) - VSWR

This document contains proprietary information and is to be used only for the purposes for which it has been supplied and is not to be duplicated or disclosed in whole or in part without written permission from a duly authorized representative of Knowles.

Phone: 1-315-655-8710 • Email: KPD-NA-sales@knowles.com • www.knowlescapacitors.com

Product and product information are subject to change without notice.



FREQUENCY (MHZ)	VALUE	SPEC	COMMENTS
3600	-43.7 dbc	-25 dbc MIN	
130 - 3100	-46.8 dbc	-45 dbc MIN	

This document contains proprietary information and is to be used only for the purposes for which it has been supplied and is not to be duplicated or disclosed in whole or in part without written permission from a duly authorized representative of Knowles.

Phone: 1-315-655-8710 • Email: KPD-NA-sales@knowles.com • www.knowlescapacitors.com

Product and product information are subject to change without notice.