

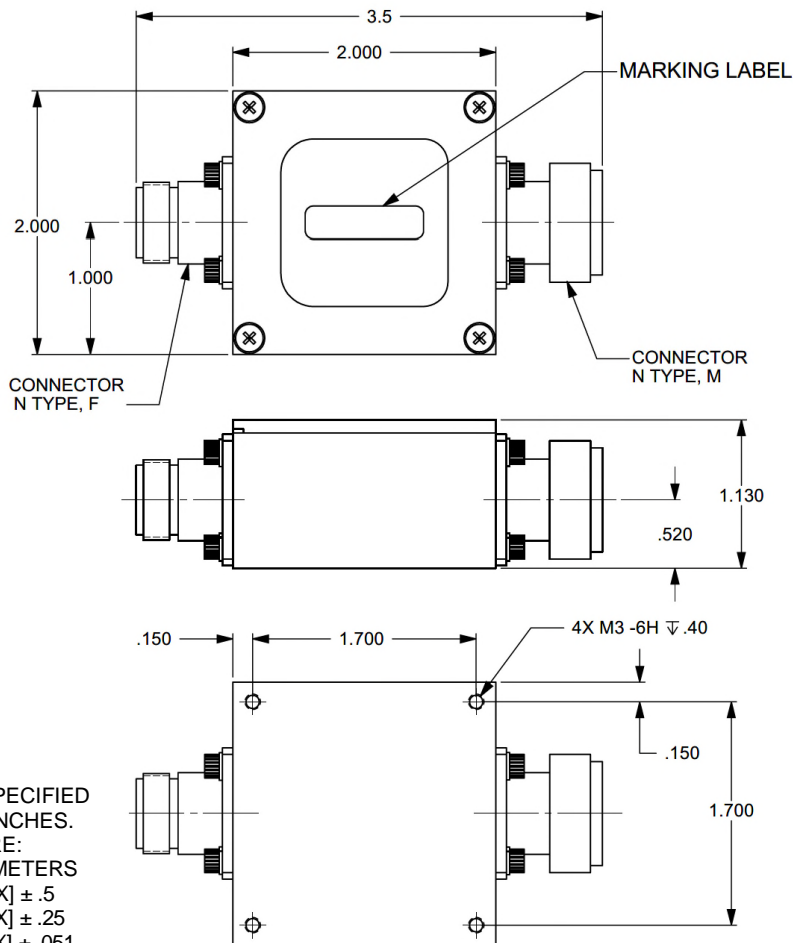
Lumped Highpass Filter

Features/Benefits

- Type N-F/ Type N-M Connectors
- Made in U.S.A.



Parameter	Specification
Cutoff Frequency (Fc)	30 MHz
Passband	-1.5 dBa max from 30 MHz to 60 MHz
Return Loss	-15 dB min from 30 MHz to 60 MHz
Rejection	-60 dBa min from 0.5 MHz to 15 MHz
Temperature, Operating	-20°C to +70°C
Temperature, Storage	-20°C to +70°C
Mechanical Dimensions	2.000 x 2.000 x 1.130 inches [50.80 x 50.80 x 28.70 mm] (L X W X H)



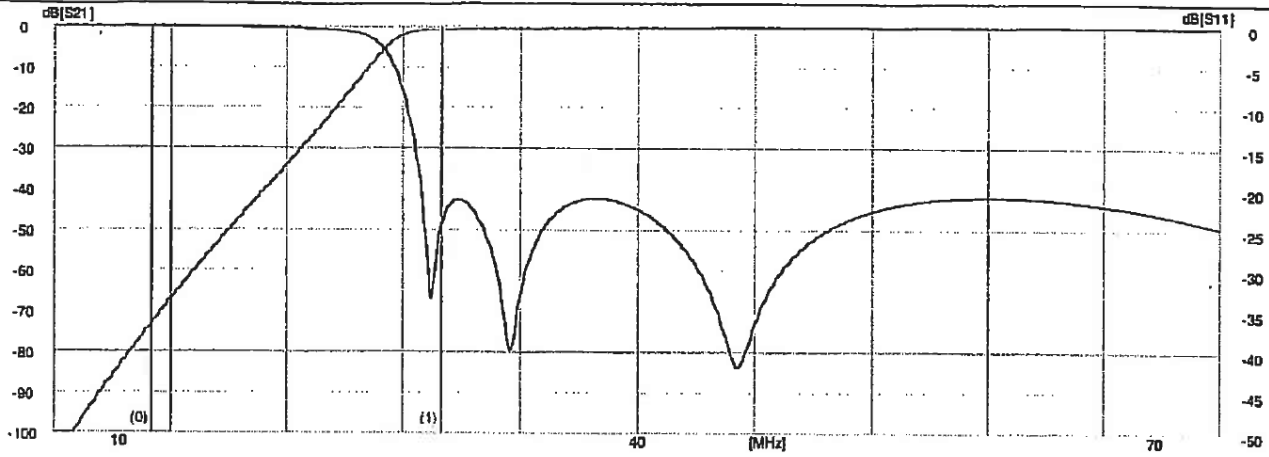
UNLESS OTHERWISE SPECIFIED
DIMENSIONS ARE IN INCHES.
TOLERANCES ARE:

INCHES	MILLIMETERS
.XX ± .02	[X.X] ± .5
.XXX ± .010	[X.XX] ± .25
.XXXX ± .0020	[X.XXX] ± .051

This document contains proprietary information and is to be used only for the purposes for which it has been supplied and is not to be duplicated or disclosed in whole or in part without written permission from a duly authorized representative of Knowles.

Phone: 1-315-655-8710 • Email: KPD-NA-sales@knowles.com • www.knowlescapacitors.com

Product and product information are subject to change without notice.



IMARKER

IMHz	S11[dB]	S21[dB]	S22[dB]	GD	Ang21	Number
15	-0.034	-73.092	-0.034	15.295	20.249	0
30	-24.42	-0.697	-24.42	86.1	112.179	1

This document contains proprietary information and is to be used only for the purposes for which it has been supplied and is not to be duplicated or disclosed in whole or in part without written permission from a duly authorized representative of Knowles.

Phone: 1-315-655-8710 • Email: KPD-NA-sales@knowles.com • www.knowlescapacitors.com

Product and product information are subject to change without notice.