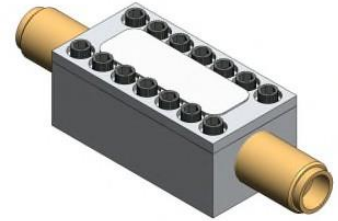


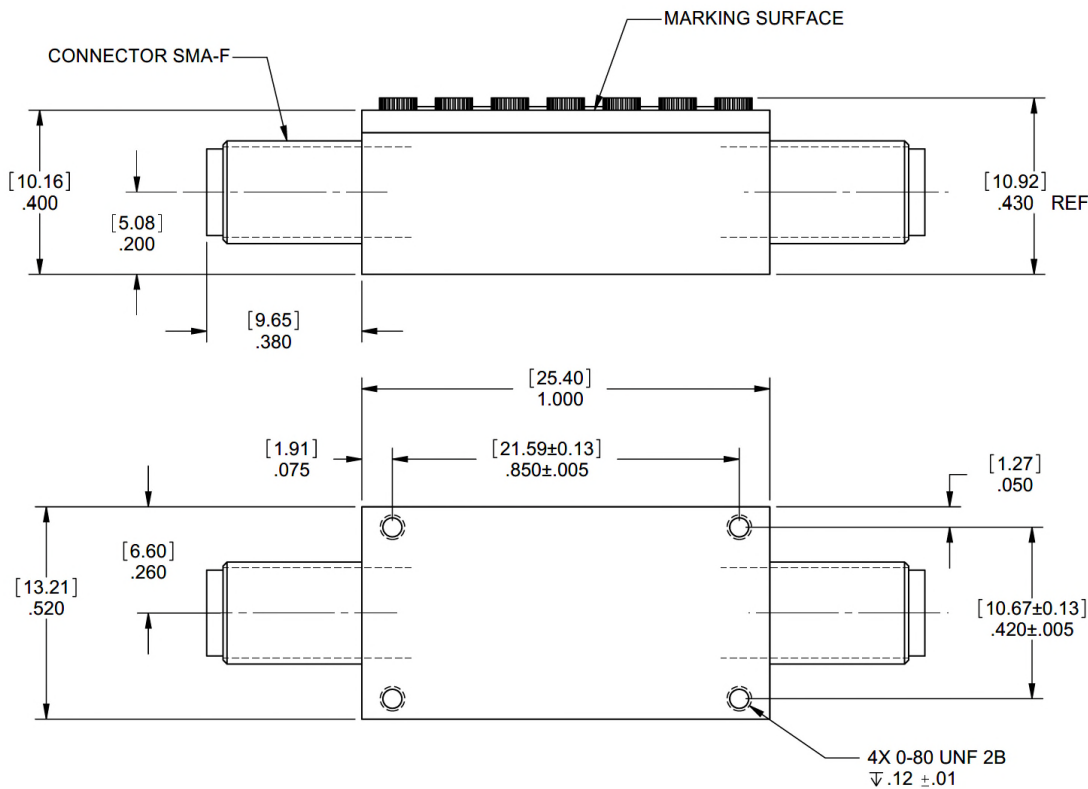
Lumped Highpass Filter

Features/Benefits

- SMA-F Connectors
- Made in U.S.A.



Parameter	Specification
Cutoff Frequency (Fc)	12000 MHz
Passband	-2.0 dBa max from 12000 MHz to 20000 MHz
VSWR	2:1 max from 12000 MHz to 2000 MHz
Rejection	-35 dBc min from 130 MHz to 11000 MHz
Temperature, Operating	-20°C to +75°C
Temperature, Storage	-20°C to +75°C
Mechanical Dimensions	1.000 x 0.520 x 0.10.16 inches [25.40 x 13.21 x 10.16 mm] (L X W X H)



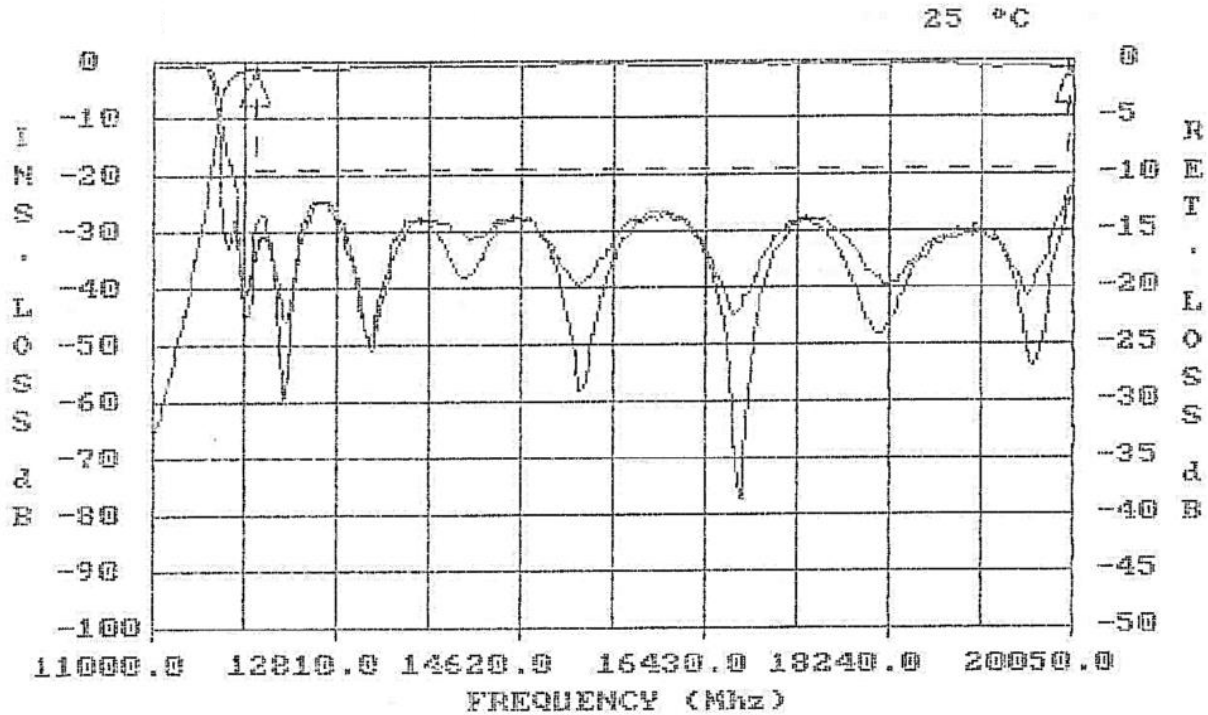
UNLESS OTHERWISE SPECIFIED
DIMENSIONS ARE IN INCHES.
TOLERANCES ARE:

INCHES	MILLIMETERS
.XX ± .02	[X.X] ± .5
.XXX ± .010	[X.XX] ± .25
.XXXX ± .0020	[X.XXX] ± .051

This document contains proprietary information and is to be used only for the purposes for which it has been supplied and is not to be duplicated or disclosed in whole or in part without written permission from a duly authorized representative of Knowles.

Phone: 1-315-655-8710 • Email: KPD-NA-sales@knowles.com • www.knowlescapacitors.com

Product and product information are subject to change without notice.



FREQUENCY (MHZ)	VALUE	SPEC	COMMENTS
12000 - 20000	-1.62 dbA	-2 dbA MAX	

FREQUENCY (MHZ)	VALUE	SPEC	COMMENTS
12000 - 20000	-12.4	2 :1 MAX	(S11) - VSWR
12000 - 20000	-12.0	2 :1 MAX	(S22) - VSWR

This document contains proprietary information and is to be used only for the purposes for which it has been supplied and is not to be duplicated or disclosed in whole or in part without written permission from a duly authorized representative of Knowles.

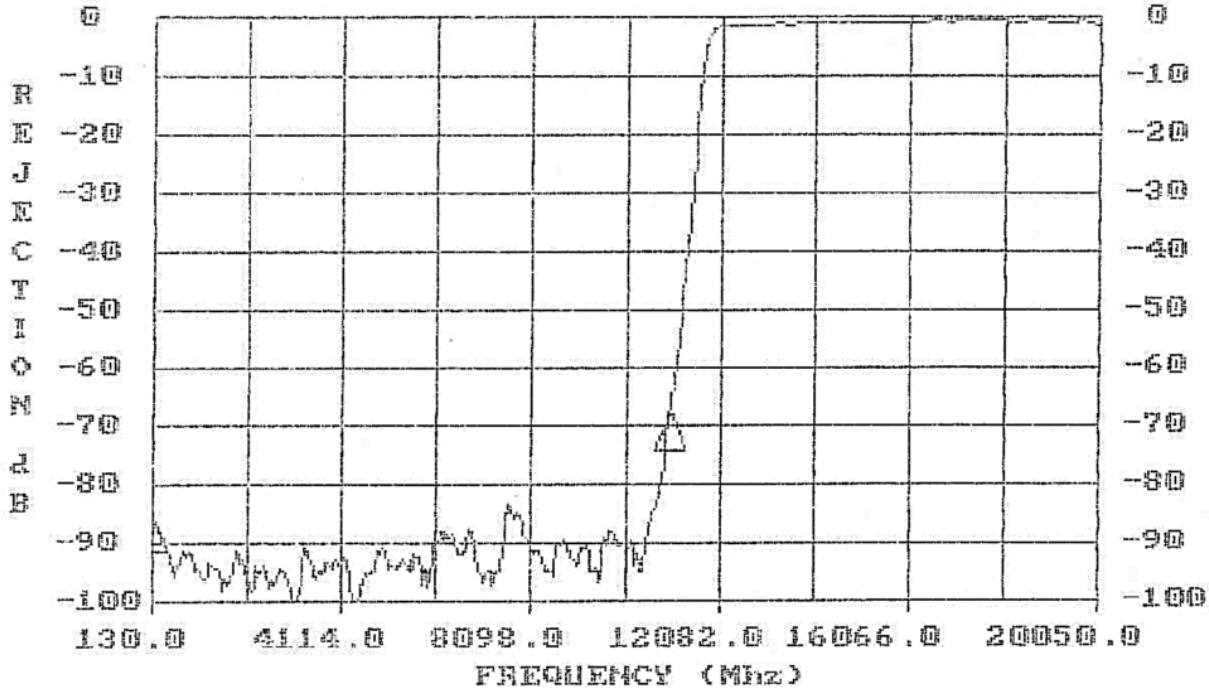
Phone: 1-315-655-8710 • Email: KPD-NA-sales@knowles.com • www.knowlescapacitors.com

Product and product information are subject to change without notice.

P/N: 940417

INTEGRATED MICROWAVE CO

25 °C



P/N 940417

REVISION

TESTED BY 4023

11-30-2012

11:19:12

S/N

FREQUENCY (MHZ)	VALUE	SPEC	COMMENTS
130 - 11000	-67.0 dB	-35 dBc MIN	

This document contains proprietary information and is to be used only for the purposes for which it has been supplied and is not to be duplicated or disclosed in whole or in part without written permission from a duly authorized representative of Knowles.

Phone: 1-315-655-8710 • Email: KPD-NA-sales@knowles.com • www.knowlescapacitors.com

Product and product information are subject to change without notice.