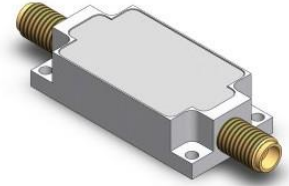


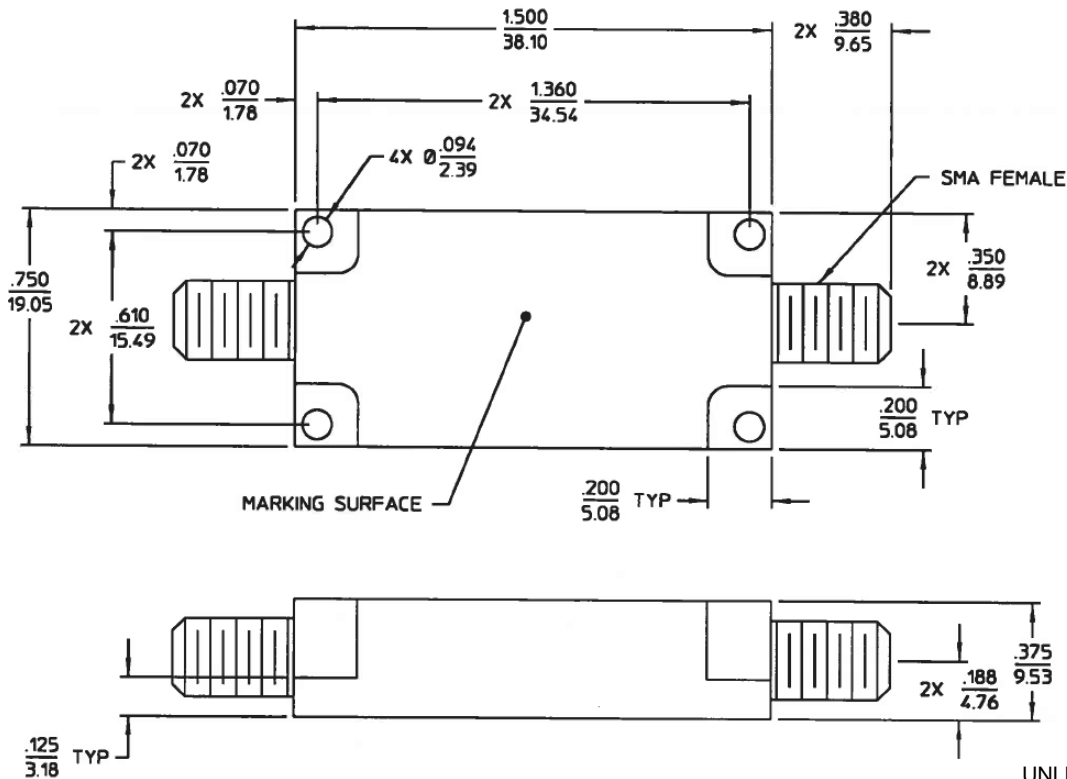
## Lumped Lowpass Filter

### Features/Benefits

- SMA-F Connectors
- Made in U.S.A.



Parameter	Specification
Cutoff Frequency (Fc)	3000 MHz
Passband	-1.5 dBa max from 130 MHz to 3000 MHz
VSWR	1.5:1 max from 50 MHz to 3000 MHz
Rejection	-60 dBa min from 4000 MHz to 7000 MHz
Temperature, Operating	-20°C to +70°C
Temperature, Storage	-20°C to +70°C
Mechanical Dimensions	1.500 x 0.750 x 0.375 inches [38.10 x 19.05 x 9.53 mm] (L X W X H)



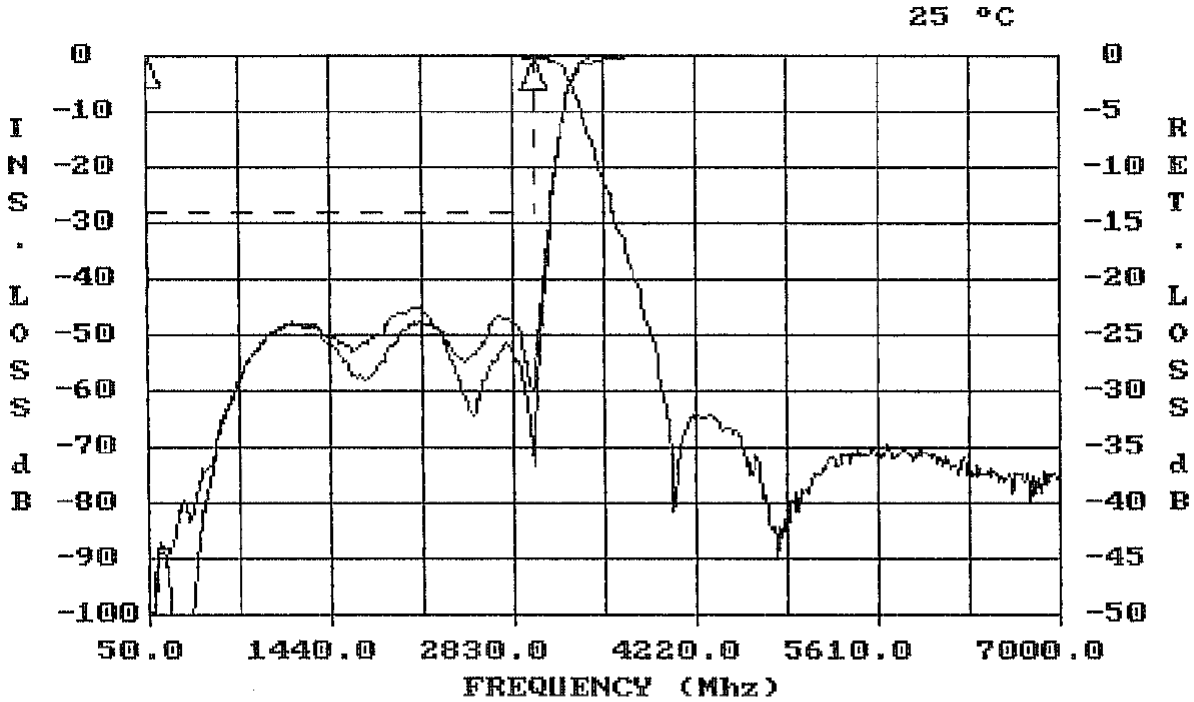
UNLESS OTHERWISE SPECIFIED  
DIMENSIONS ARE IN INCHES.  
TOLERANCES ARE:

INCHES	MILLIMETERS
.XX ± .02	[X.X] ± .5
.XXX ± .010	[X.XX] ± .25
.XXXX ± .0020	[X.XXX] ± .051

This document contains proprietary information and is to be used only for the purposes for which it has been supplied and is not to be duplicated or disclosed in whole or in part without written permission from a duly authorized representative of Knowles.

Phone: 1-315-655-8710 • Email: KPD-NA-sales@knowles.com • www.knowlescapacitors.com

Product and product information are subject to change without notice.



FREQUENCY (MHZ)	VALUE	SPEC	COMMENTS
130 - 3000	-0.281 dbA	-1.5 dbA MAX	
FREQUENCY (MHZ)	VALUE	SPEC	COMMENTS
4000 - 7000	-63.8 dbA	-60 dbA MIN	
FREQUENCY (MHZ)	VALUE	SPEC	COMMENTS
50 - 3000	-23.4	1.5 :1 MAX	(S11) - VSWR
50 - 3000	-22.6	1.5 :1 MAX	(S22) - VSWR

This document contains proprietary information and is to be used only for the purposes for which it has been supplied and is not to be duplicated or disclosed in whole or in part without written permission from a duly authorized representative of Knowles.

Phone: 1-315-655-8710 • Email: KPD-NA-sales@knowles.com • www.knowlescapacitors.com

Product and product information are subject to change without notice.