

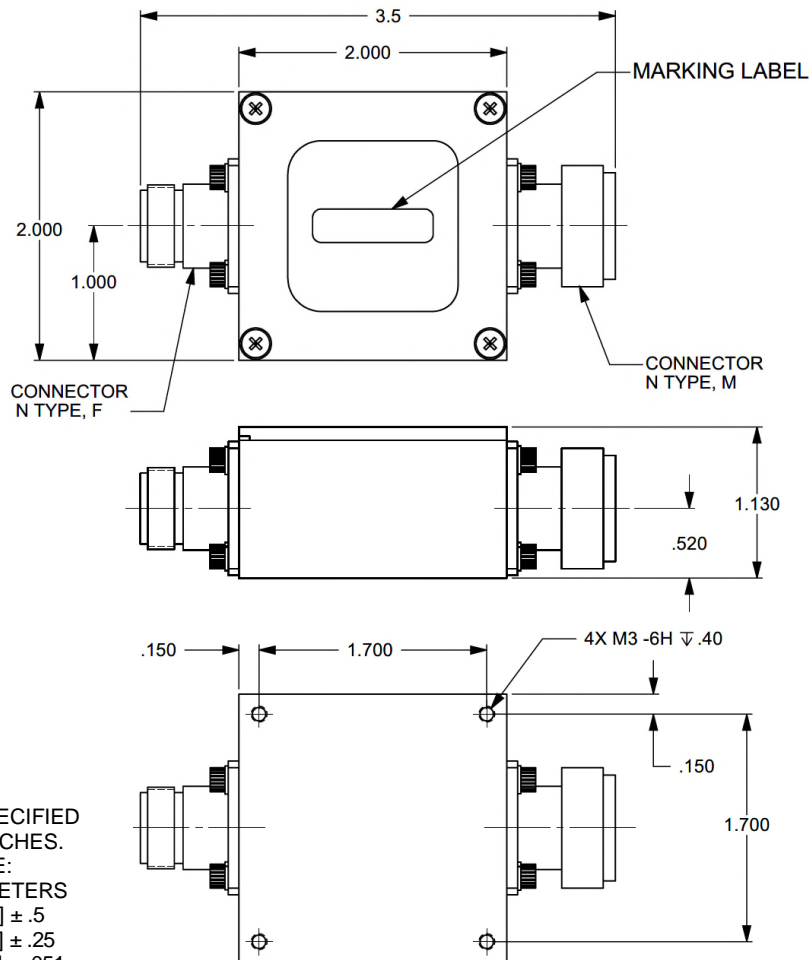
Lumped Lowpass Filter

Features/Benefits

- Type N-F/ Type N-M Connectors
- Made in U.S.A.



| Parameter | Specification |
|------------------------|---|
| Cutoff Frequency (Fc) | 300 MHz |
| Passband | -1.5 dBa max from 1 MHz to 300 MHz |
| Return Loss | -15 dB min from 1 MHz to 300 MHz |
| Rejection | -60 dBa min from 600 MHz to 1200 MHz |
| Temperature, Operating | -20°C to +70°C |
| Temperature, Storage | -20°C to +70°C |
| Mechanical Dimensions | 0.200 x 0.200 x 1.130 inches [50.80 x 50.80 x 28.70 mm] (L X W X H) |



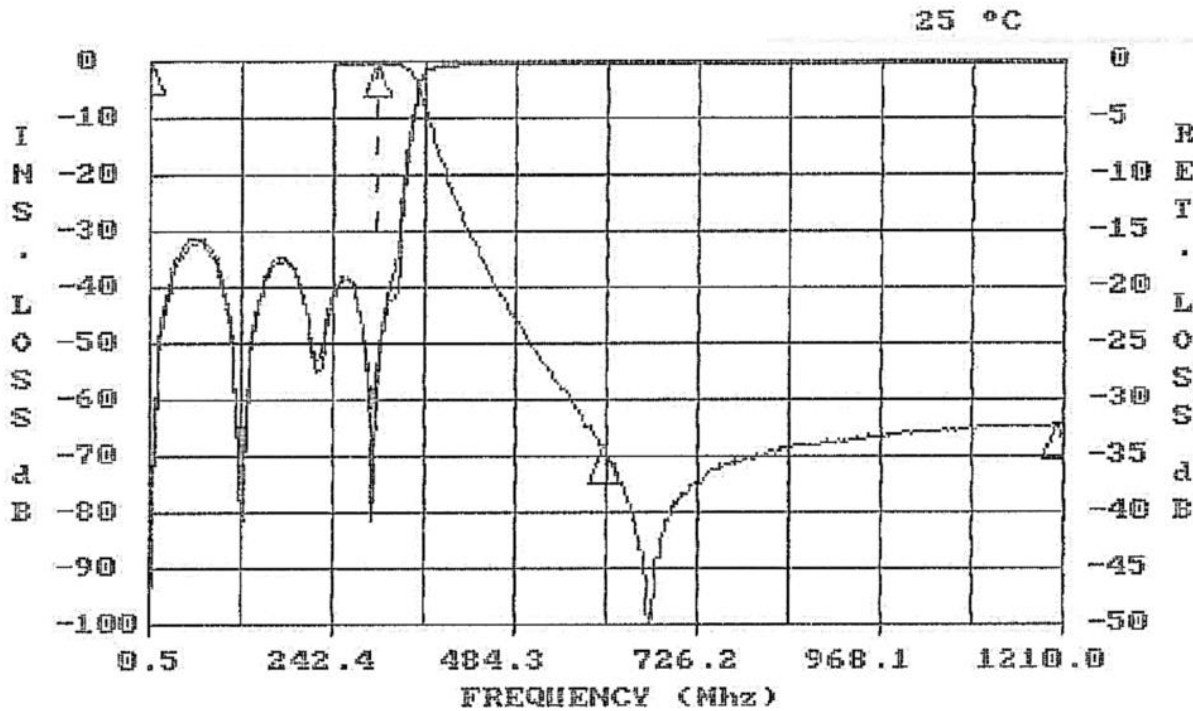
UNLESS OTHERWISE SPECIFIED
DIMENSIONS ARE IN INCHES.
TOLERANCES ARE:

| INCHES | MILLIMETERS |
|---------------|----------------|
| .XX ± .02 | [X.X] ± .5 |
| .XXX ± .010 | [X.XX] ± .25 |
| .XXXX ± .0020 | [X.XXX] ± .051 |

This document contains proprietary information and is to be used only for the purposes for which it has been supplied and is not to be duplicated or disclosed in whole or in part without written permission from a duly authorized representative of Knowles.

Phone: 1-315-655-8710 • Email: KPD-NA-sales@knowles.com • www.knowlescapacitors.com

Product and product information are subject to change without notice.



| FREQUENCY (MHZ) | VALUE | SPEC | COMMENTS |
|-----------------|------------|--------------|----------|
| 1 - 300 | -1.294 dbA | -1.5 dbA MAX | |
| 600 - 1200 | -64.2 dbA | -60 dbA MIN | |

| FREQUENCY (MHZ) | VALUE | SPEC | COMMENTS |
|-----------------|-------|------------|--------------|
| 1 - 300 | -16.0 | -15 db MIN | (S11) - VSWR |
| 1 - 300 | -15.6 | -15 db MIN | (S22) - VSWR |

This document contains proprietary information and is to be used only for the purposes for which it has been supplied and is not to be duplicated or disclosed in whole or in part without written permission from a duly authorized representative of Knowles.

Phone: 1-315-655-8710 • Email: KPD-NA-sales@knowles.com • www.knowlescapacitors.com

Product and product information are subject to change without notice.