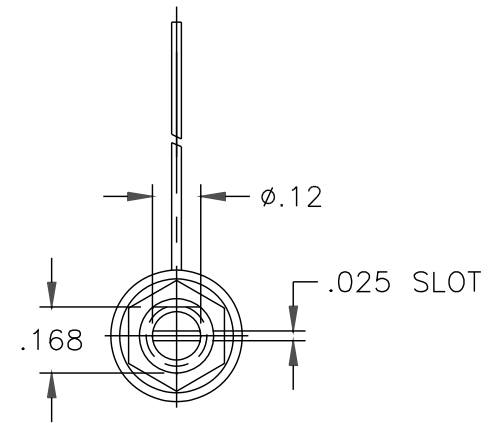
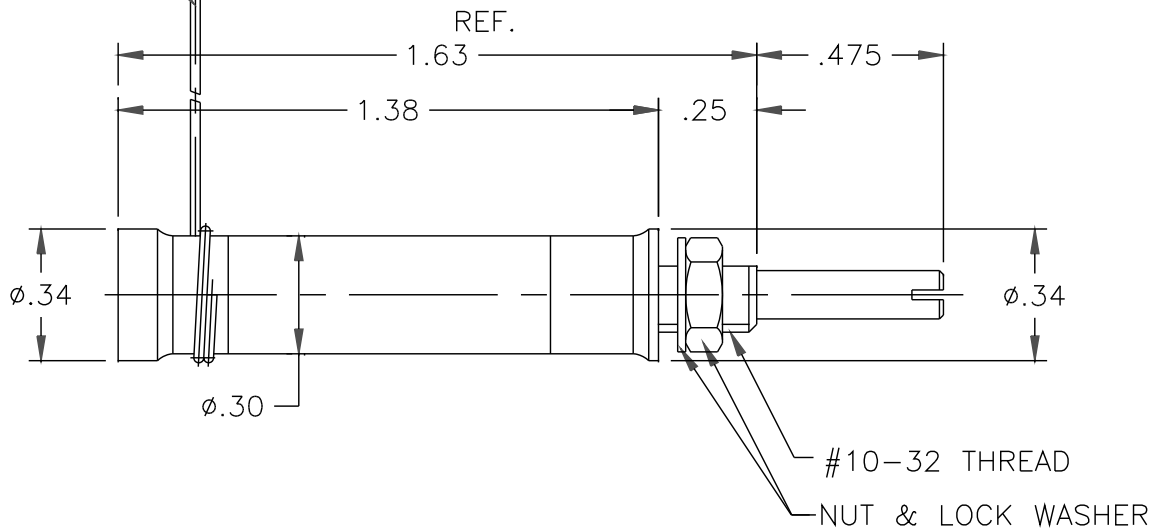


DATE	SYM	REVISION	RECORD	AUTH	DR	CK

#22 AWG.
3" LENGTH



NOTES:

1. CAPACITANCE RANGE, pF: 1.0 TO 10.0
2. DC WORKING VOLTAGE AT 10.0 pF: 1500 VDC
3. DC WITHSTANDING VOLTAGE AT 10.0 pF: 3000 VDC
4. Q FACTOR AT 25 MHz: 2000
5. TUNING TORQUE: 0.5 TO 3.0 IN-OZ
6. INSULATION RESISTANCE: 10^6 MEGOHMS AT 25°C
7. OPERATING TEMPERATURE: 4°K AND ABOVE.
8. CAPACITANCE DRIFT: <2% AT 77°K.
9. AT 4°K - 5000 VDC MIN.
10. TUNABLE AT 4°K.

TOLERANCES (EXCEPT AS NOTED)	VOLTRONICS CORPORATION 100 FORD RD. DENVER N.J.		
DECIMAL XXX ±.005 XX ±.016	SCALE 2 : 1	DRAWN BY A.SHTABNAYA	
FRACTIONAL -	APPROVED BY A.GOLDBERG		
ANGULAR -	TITLE OUTLINE DWG. NMCB10-5CKE	DATE 6/09/09	DRAWING NUMBER 70,533