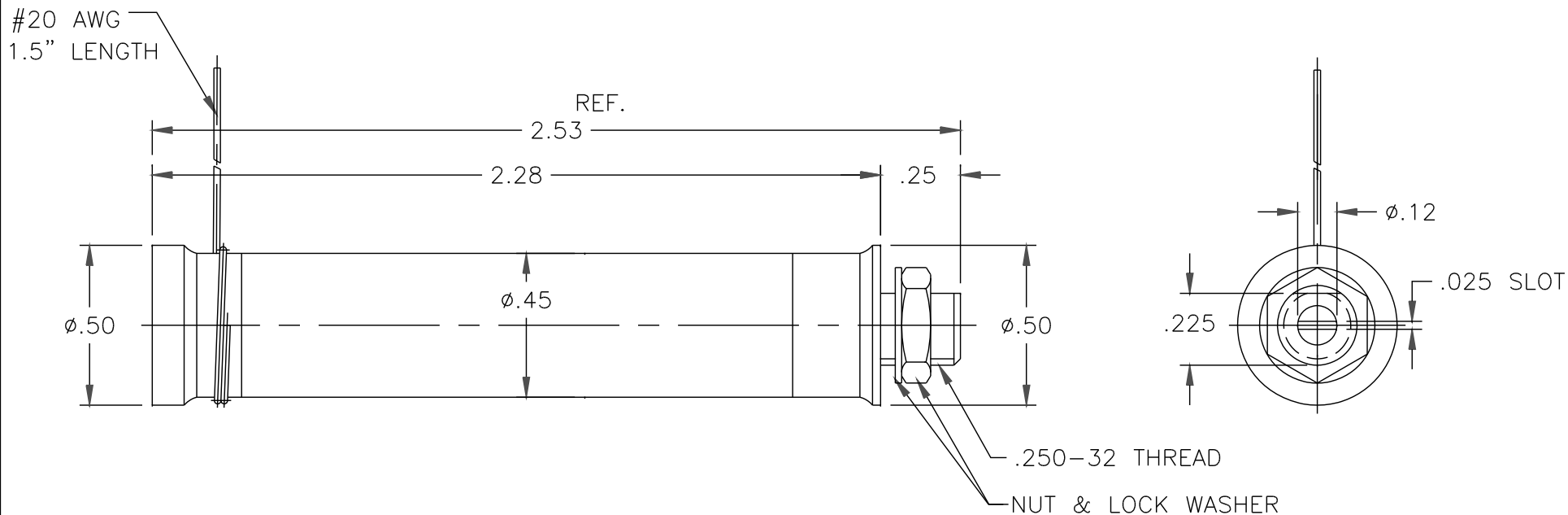


DATE	SYM	REVISION	RECORD	AUTH	DR	CK
7/03 03	A	NMNT20-3CK	WAS NMNT20-3K		AS	SN
4/08 04	B	NOTE 7: ADDED	"CRYOGENIC ENVIRONMENT"		AS	SN
8/02 04	C	NOTES 5,7 CHANGED;	ADDED NOTES 8,9,10; TITLE: NMNT20-5CK WAS NMNT20-3CK		AS	SN
9/20 04	D	NMCB20-5CK	WAS NMNT20-5CK		AS	SN
8/04 06	E	ADDED 1.5"	LENGTH FOR LEAD		AS	



NOTES:

1. CAPACITANCE RANGE, pF: 1.0 TO 20.0
2. DC WORKING VOLTAGE AT 20.0 pF: 1500 VDC
3. DC WITHSTANDING VOLTAGE AT 20.0 pF: 3000 VDC
4. Q FACTOR AT 25 MHz : 2000
5. TUNING TORQUE: 0.5 TO 3.0 IN-OZ
6. INSULATION RESISTANCE: 10^6 MEGOHMS AT 25°C
7. OPERATING TEMPERATURE: 4°K AND ABOVE.
8. CAPACITANCE DRIFT: <2% AT 77°K.
9. AT 4°K - 5000 VDC MIN.
10. TUNABLE AT 4°K.

TOLERANCES (EXCEPT AS NOTED)	VOLTRONICS CORPORATION 100 FORD RD. DENVER N.J.		
DECIMAL XXX ±.005 XX ±.016	SCALE 2 : 1	DRAWN BY A.SHTABNAYA	
FRACTIONAL -	APPROVED BY S.NEWMAN		
ANGULAR -	TITLE OUTLINE DWG. NMCB20-5CK	DATE 6/09/03	DRAWING NUMBER 70,229
			REV.E