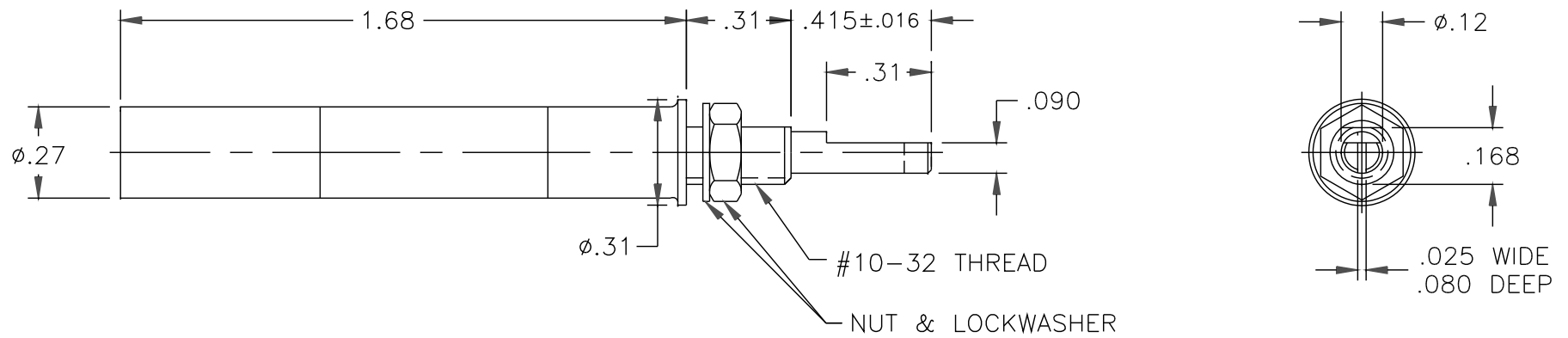


DATE	SYM	REVISION	RECORD	AUTH	DR	CK



NOTES:

1. CAPACITANCE RANGE, pF: 2.0 TO 120.0
2. DC WORKING VOLTAGE AT 120.0 pF: 1000
3. DC WITHSTANDING VOLTAGE AT 120.0 pF: 2000
4. Q FACTOR AT 100 MHz AND 120 pF: 600 MIN.
5. INSULATION RESISTANCE: 10^6 MEGOHMS AT 25°C
6. TEMPERATURE COEFFICIENT: ± 150 PPM/°C
7. OPERATING TEMPERATURE: CRYOGENIC ENVIRONMENT
8. TUNING TORQUE: 0.5 TO 4.0 IN-OZ

TOLERANCES (EXCEPT AS NOTED)		VOLTRONICS CORPORATION 100 FORD RD. DENVER N.J.			
DECIMAL XXX \pm .005 XX \pm .016		SCALE 2 : 1		DRAWN BY A.SHTABNAYA	
FRACTIONAL —		APPROVED BY A.GOLDBERG			
ANGULAR —		TITLE OUTLINE DWG. NMTM120FSKNL			
DATE 12/30/09		DRAWING NUMBER 70,826			