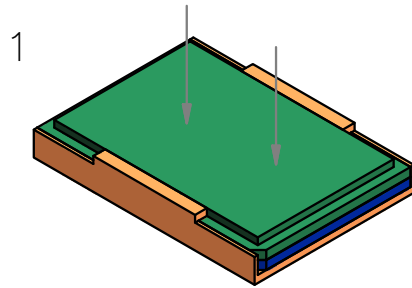


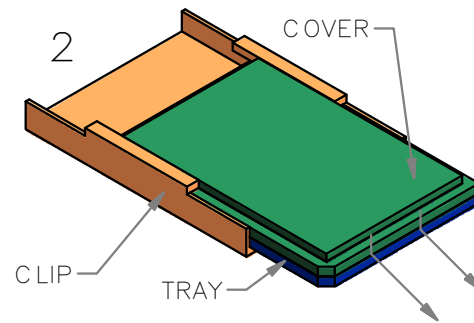
INSTRUCTIONS FOR OPENING "WAFFLE PACK" PACKAGING

STEP 1: Gently tap package in horizontal position to settle components.

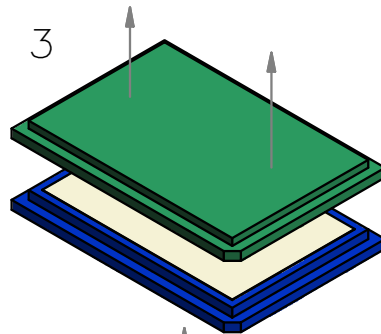


STEP 2: Keeping package horizontal slide cover and tray away from clip.

Technique: Hold clip in palm with one hand, push tray and cover using thumb and forefinger with other hand.



STEP 3: Remove cover from tray exposing insert.



STEP 4: Carefully remove insert from top of tray revealing components in tray cavities.

