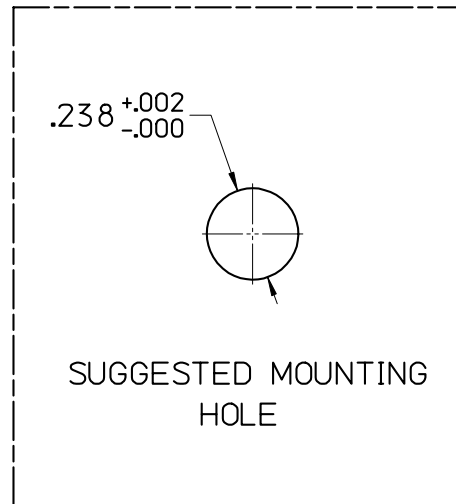
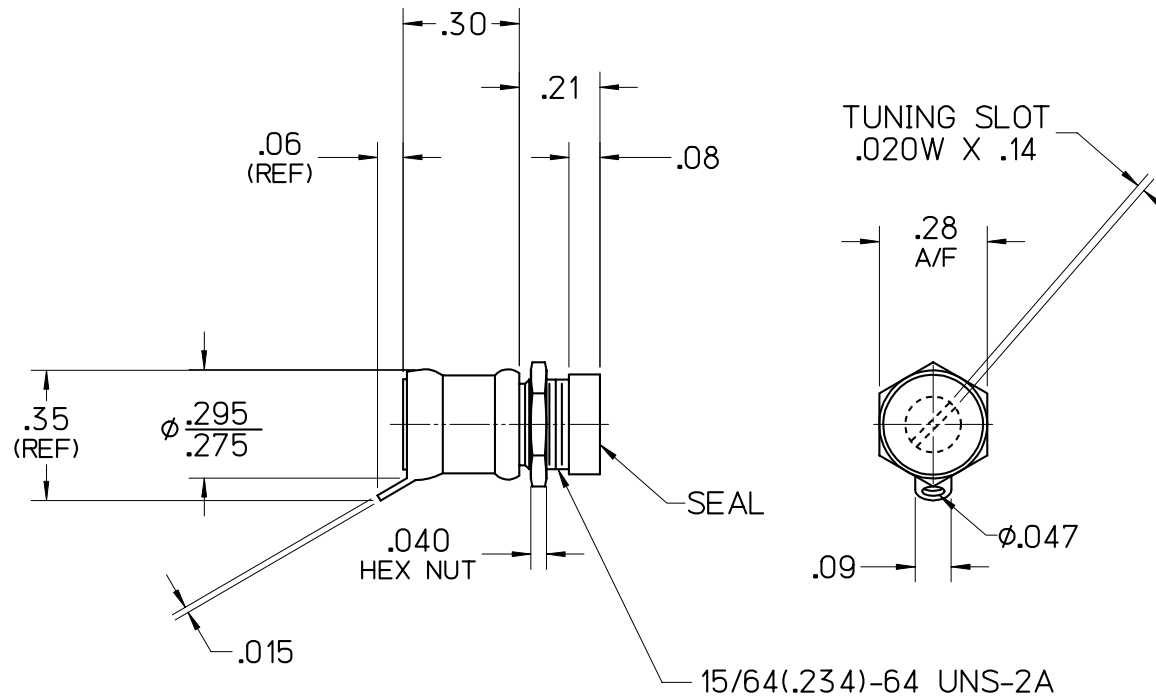


# 5200

# M

## AIR TRIMMER CAPACITOR



SPECIFICATIONS | FILE: AIROUT

CAPACITY RANGE	0.8pF TO 10pF (>6 TURNS)	
WORKING VOLTAGE	250 VDC (TEST VOLT. 500 VDC)	
Q @ 100 MHz	> 5000	
INSULATION RESISTANCE	> $10^6$ MEGOHMS	
TEMPERATURE RANGE	-65°C TO +125°C	
T O R Q U E	TUNING	1.0 TO 5.0 OZ. IN
	NUT MOUNTING	50 OZ. IN. MAX
	SEAL ASSEMBLY	8 OZ. IN. MAX
BRASS & INVAR STRUCTURE		
GLAZED ALUMINA INSULATION		
574°F SOLDER USED IN ASSEMBLY		
SILICONE RUBBER SEAL WASHER		
GOLD, SILVER, & CHROMATE FINISH		

M	07/25/06	MLD	MAI	MAI	000393
L	03/15/00	MLD	-	-	000-108
LEVEL	DATE	DRN.	CHK.	APP.	ECN

REVISIONS

DRN.	CHK.	APP.	SCALE
MLD	TAM	JHT	2" = 1"
DATE	DATE	DATE	.XX ± .015
03/15/00	03/16/00	03/16/00	.XXX ± .005



**JOHANSON MANUFACTURING CORPORATION**  
 ROCKAWAY VALLEY ROAD, BOONTON, N.J. 07005 (973)334-2676 FAX (973)334-2954  
 ELECTRONIC ACCURACY THROUGH MECHANICAL PRECISION