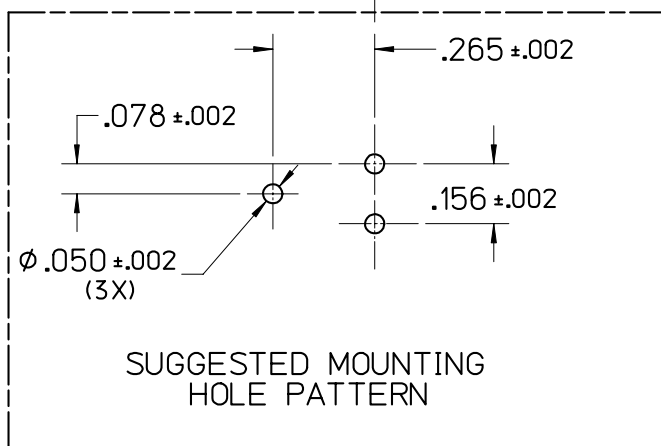
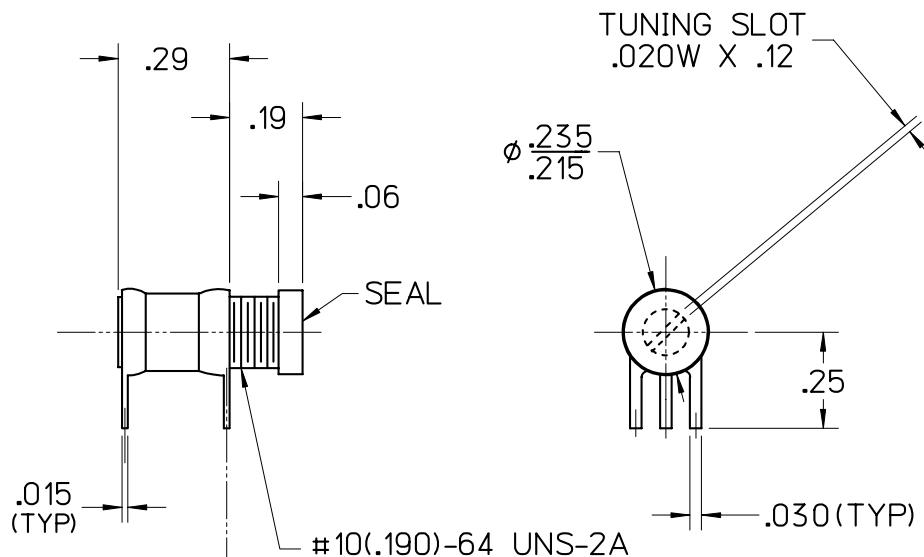


# 5761

# E

## AIR TRIMMER CAPACITOR



SPECIFICATIONS		FILE: AIROUT
CAPACITY RANGE	0.6pF TO 6pF (>8 TURNS)	
WORKING VOLTAGE	250 VDC (TEST VOLT. 500 VDC)	
Q @ 100 MHz	> 10000	
INSULATION RESISTANCE	> $10^6$ MEGOHMS	
TEMPERATURE RANGE	-65°C TO +125°C	
T O R Q U E	TUNING	0.4 TO 4.0 OZ. IN
	SEAL ASSEMBLY	8 OZ. IN. MAX
NON-MAGNETIC STRUCTURE		
GLAZED ALUMINA INSULATION		
574°F SOLDER USED IN ASSEMBLY		
SILICONE RUBBER SEAL WASHER		
GOLD, SILVER, & CHROMATE FINISH		

E	08/28/06	MLD	MAI	MAI	000393
D	03/22/00	MLD	-	-	000-121
LEVEL	DATE	DRN.	CHK.	APP.	ECN
REVISIONS					
DRN.	CHK.	APP.	SCALE		
MLD	TAM	JHT	2' = 1"		
DATE	DATE	DATE	.XX ± .015		
03/22/00	03/23/00	03/23/00	.XXX ± .005		



**JOHANSON MANUFACTURING CORPORATION**  
 ROCKAWAY VALLEY ROAD, BOONTON, N.J. 07005 (973)334-2676 FAX (973)334-2954  
 ELECTRONIC ACCURACY THROUGH MECHANICAL PRECISION