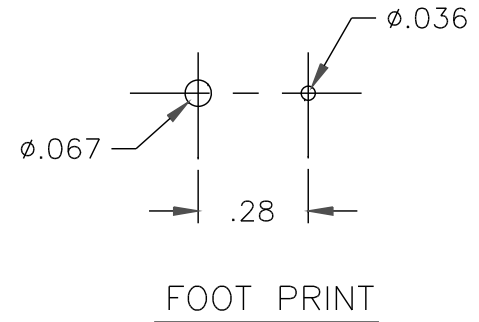
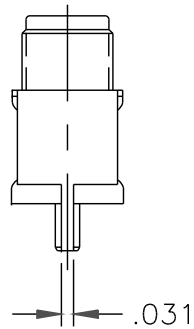
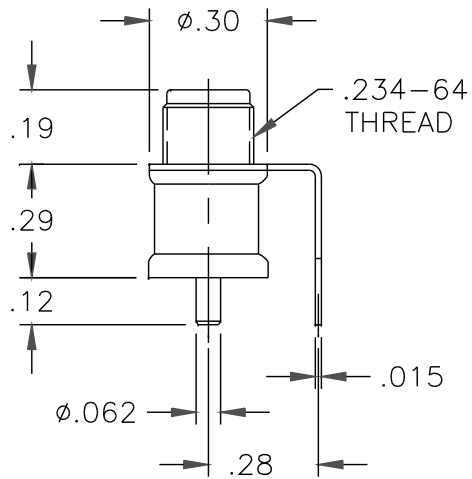
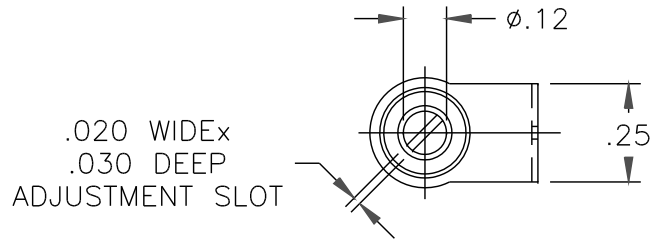


| DATE | SYM | REVISION | RECORD | AUTH | DR | CK |
|------|-----|----------|--------|------|----|----|
| | | | | | | |
| | | | | | | |
| | | | | | | |
| | | | | | | |



NOTES:

1. CAPACITANCE RANGE, pF: 1.0 TO 14.0
2. DC WORKING VOLTAGE AT 14.0 pF: 125
3. DC WITHSTANDING VOLTAGE AT 14.0 pF: 250
4. Q FACTOR AT 100 MHz: 3000 MIN
5. INSULATION RESISTANCE: 10^6 MEGOHMS AT 25°C.
6. TEMPERATURE COEFFICIENT: 50 ± 50 PPM/°C
7. OPERATING TEMPERATURE: -65°C TO +125°C
8. TUNING TORQUE: 0.5 TO 5.0 IN-OZ
9. ROTATIONAL LIFE: 10,000 TURNS
10. VIBRATION: 50g AT 10-2000 Hz
11. SHOCK: 1500g, 0.5 MILLISECS.
12. SEAL: 40 PSI

| | | | |
|----------------------------------|--|---------------------------|--|
| TOLERANCES (EXCEPT AS NOTED) | VOLTRONICS CORPORATION 100 FORD RD. DENVER N.J. | | |
| DECIMAL XXX ±.005 XX ±.016 | SCALE 2 : 1 | DRAWN BY A.SHTABNAYA | |
| FRACTIONAL - | TITLE OUTLINE DWG. AD14 | APPROVED BY A.GOLDBERG | |
| ANGULAR - | DATE 9/30/09 | DRAWING NUMBER 70,608 | |