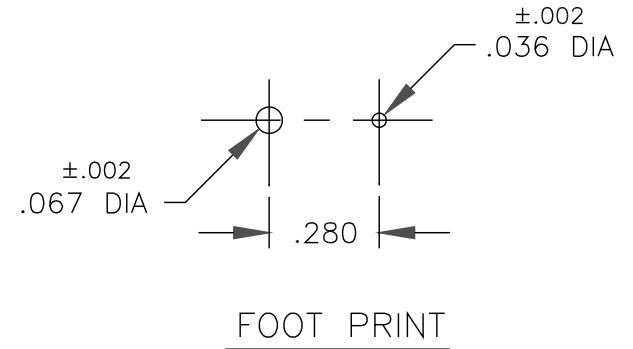
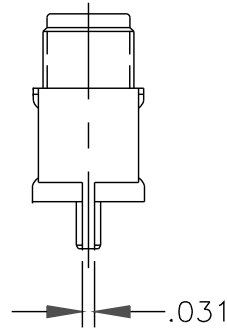
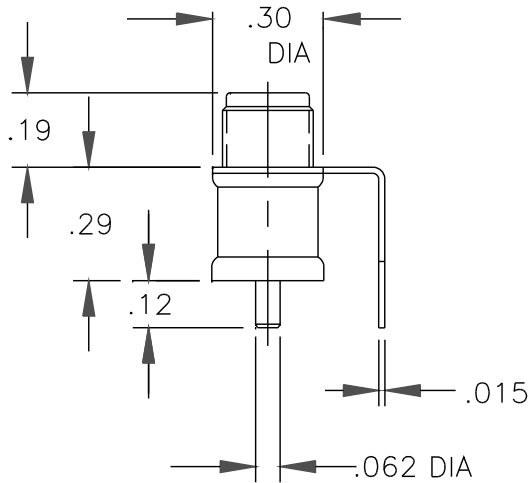
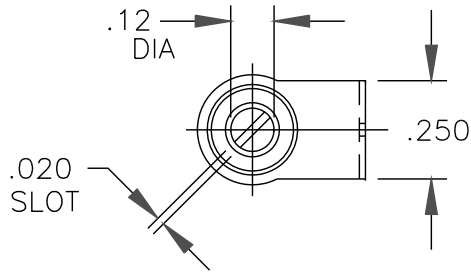


DATE	SYM	REVISION	RECORD	AUTH	DR	CK



NOTES:

1. CAPACITANCE RANGE, pF: 1.5 TO 30.0
2. DC WORKING VOLTAGE AT 30.0 pF: 250
3. DC WITHSTANDING VOLTAGE AT 30.0 pF: 500
4. Q FACTOR (AT 100 MHz): 2000 MIN
5. INSULATION RESISTANCE:  $10^6$  MEGOHMS AT 25°C.
6. TEMPERATURE COEFFICIENT:  $50 \pm 50$  PPM/°C
7. OPERATING TEMPERATURE: -65°C TO +125°C
8. TUNING TORQUE: 0.5 TO 5.0 IN-OZ
9. ROTATIONAL LIFE: 600 TURNS
10. VIBRATION: 50g AT 10-2000 Hz
11. SHOCK: 1500g, 0.5 MILLISECS.
12. SEAL: 40 PSI

TOLERANCES (EXCEPT AS NOTED)	VOLTRONICS CORPORATION 100 FORD RD. DENVER N.J.		
DECIMAL XXX ±.005 XX ±.016	SCALE 2 : 1	DRAWN BY A.SHTABNAYA	
FRACTIONAL -	TITLE OUTLINE DWG. AD30	APPROVED BY D.DITLYA	
ANGULAR -	DATE 7/15/99	DRAWING NUMBER 7,895	