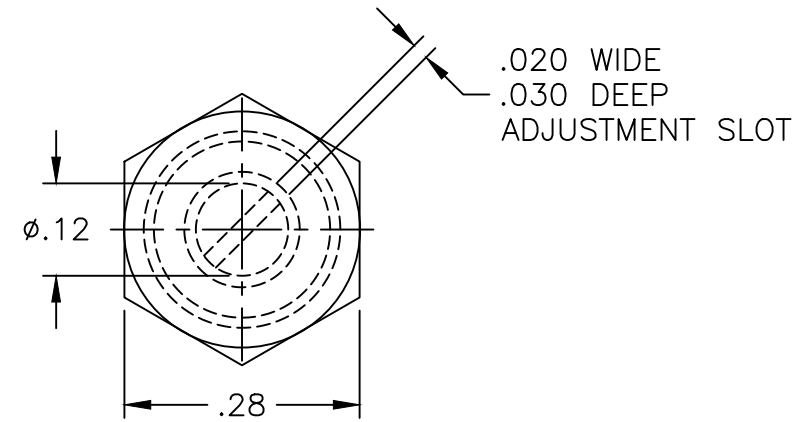
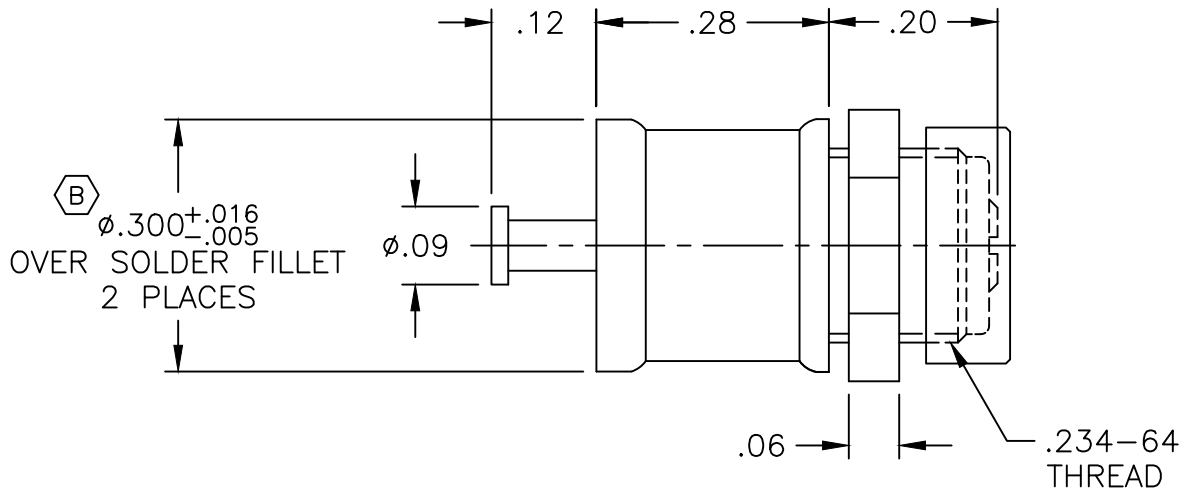



DATE	SYM	REVISION RECORD	AUTH	DR	CK
9/12/11	A	CORRECTED TOLERANCE ON .300 DIA		EC	TD
21/12/11	A1	TYPO CORRECTED		EC	TD
03/05/12	B	CORRECTED TOLERANCE ON ϕ .300	#1145	EC	TD
02/12/19	C	NOTES 2 TO 4; CORRECTED CAP VALUE		MI	MI



NOTES:

- CAPACITANCE RANGE, pF: 1.0 TO 14.0
- DC WORKING VOLTAGE AT 14.0 pF: 125 VDC.
- DC WITHSTANDING VOLTAGE AT 14.0 pF: 250 VDC.
- Q FACTOR AT 100 MHz AND 14.0 pF: 3000
- INSULATION RESISTANCE: 10^6 MEGOHMS AT 25°C
- TEMPERATURE COEFFICIENT: 50 ± 50 PPM/°C.
- OPERATING TEMPERATURE: -65°C TO +125°C
- TUNING TORQUE: 0.5 TO 5.0 IN-OZ
- ROTATIONAL LIFE: 10,000 TURNS
- VIBRATION: 50g AT 10-2000 Hz
- SHOCK: 1500g, 0.5 MILLISECS.
- SEAL: 40 PSI

TOLERANCES (EXCEPT AS NOTED)	 VOLTRONICS 2777 ROUTE 20 EAST CAZENOVIA, NEW YORK 13035		
DECIMAL XXX $\pm .005$ XX $\pm .016$	SCALE 4 : 1	DRAWN BY A.SHTABNAYA	
FRACTIONAL -	APPROVED BY A.GOLDBERG		
ANGULAR -	DATE	DRAWING NUMBER 70,604	
			REV.C