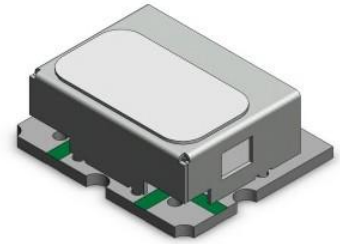


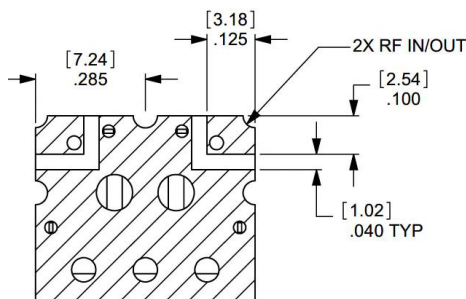
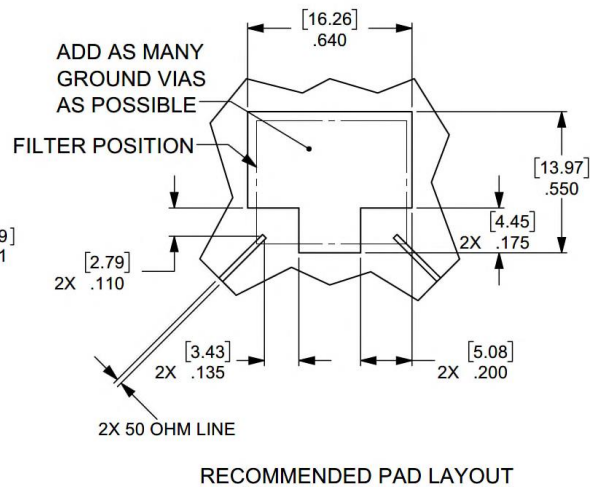
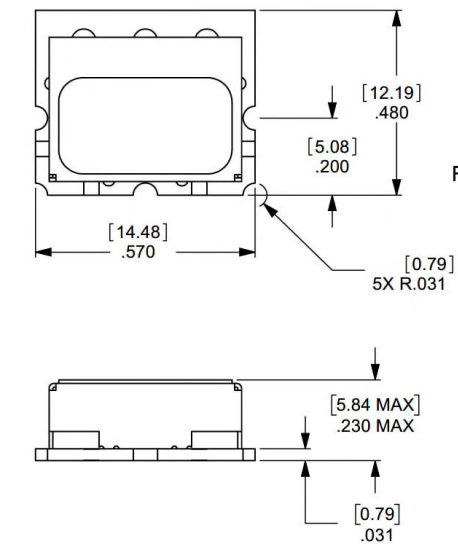
## Ceramic Bandpass Filter

### Features/Benefits

- Surface Mount
- Low Profile
- Made in U.S.A.



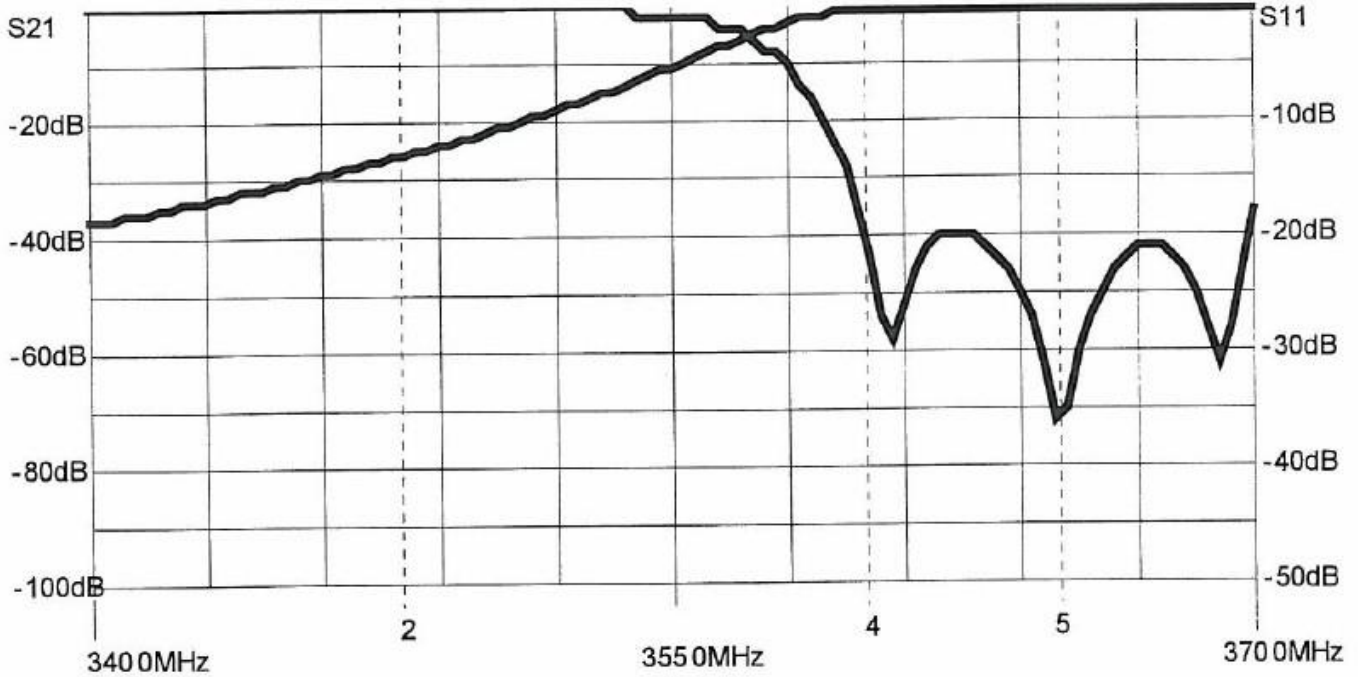
Parameter	Specification
Center Frequency (Fo)	3650 MHz
Passband	-1.0 dBc max from 3600 MHz to 3700 MHz
VSWR	1.75:1 max from 3600 MHz to 3700 MHz
Insertion Loss	-1.0 dBa max @ 3650 MHz
Rejection	-20 dBc min @ 3480 MHz
Temperature, Operating	-40°C to +85°C
Temperature, Storage	-40°C to +85°C
Temperature, Soldering	+215°C MAX (use convective reflow)
Mechanical Dimensions	0.570 x 0.480 x 0.230 inches [14.48 x 12.19 x 5.84 mm] (L X W X H)



UNLESS OTHERWISE SPECIFIED  
DIMENSIONS ARE IN INCHES.  
TOLERANCES ARE:

INCHES	MILLIMETERS
.XX ± .02	[X.X] ± .5
.XXX ± .020	[X.XX] ± .51
.XXXX ± .0020	[X.XXX] ± .051

This document contains proprietary information and is to be used only for the purposes for which it has been supplied and is not to be duplicated or disclosed in whole or in part without written permission from a duly authorized representative of Knowles.



This document contains proprietary information and is to be used only for the purposes for which it has been supplied and is not to be duplicated or disclosed in whole or in part without written permission from a duly authorized representative of Knowles.

Phone: 1-315-655-8710 • Email: [KPD-NA-sales@knowles.com](mailto:KPD-NA-sales@knowles.com) • [www.knowlescapacitors.com](http://www.knowlescapacitors.com)

Product and product information are subject to change without notice.