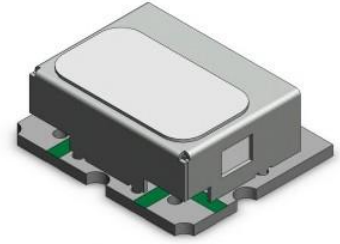


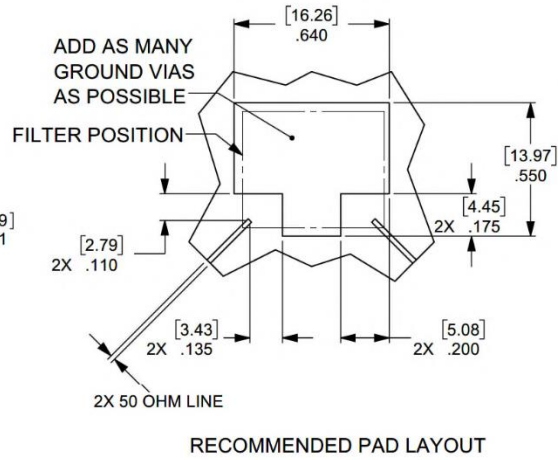
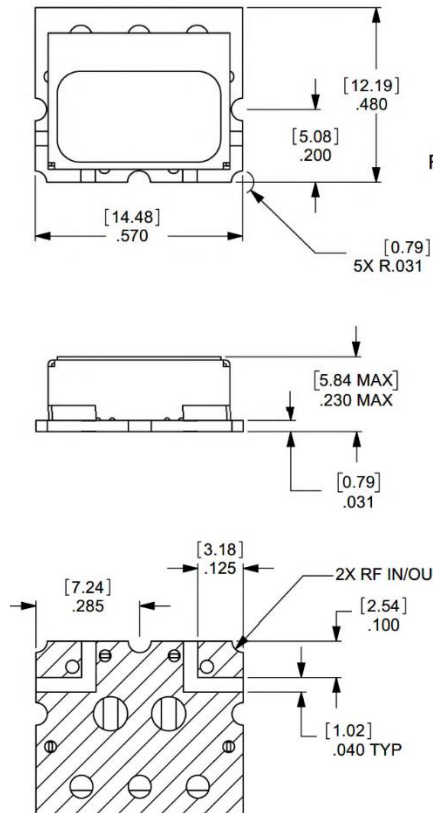
## Ceramic Bandpass Filter

### Features/Benefits

- Surface Mount
- Low Profile
- Made in U.S.A.



Parameter	Specification
Center Frequency (Fo)	2106.4 MHz
Passband	-0.5 dBc max from 2086.4 MHz to 2126.4 MHz
Return Loss	-16 dB min from 2086.4 MHz to 2126.4 MHz
Insertion Loss	-0.9 dBa min from 2086.4 MHz to 2126.4 MHz
Rejection	-10 dBc min @ 1966.4 MHz -10 dBc min @ 2246.4 MHz
Temperature, Operating	-55°C to +125°C
Temperature, Storage	-55°C to +125°C
Temperature, Soldering	+215°C MAX (use convective reflow)
Mechanical Dimensions	0.570 x 0.480 x 0.230 inches [14.48 x 12.19 x 5.84 mm] (L X W X H)



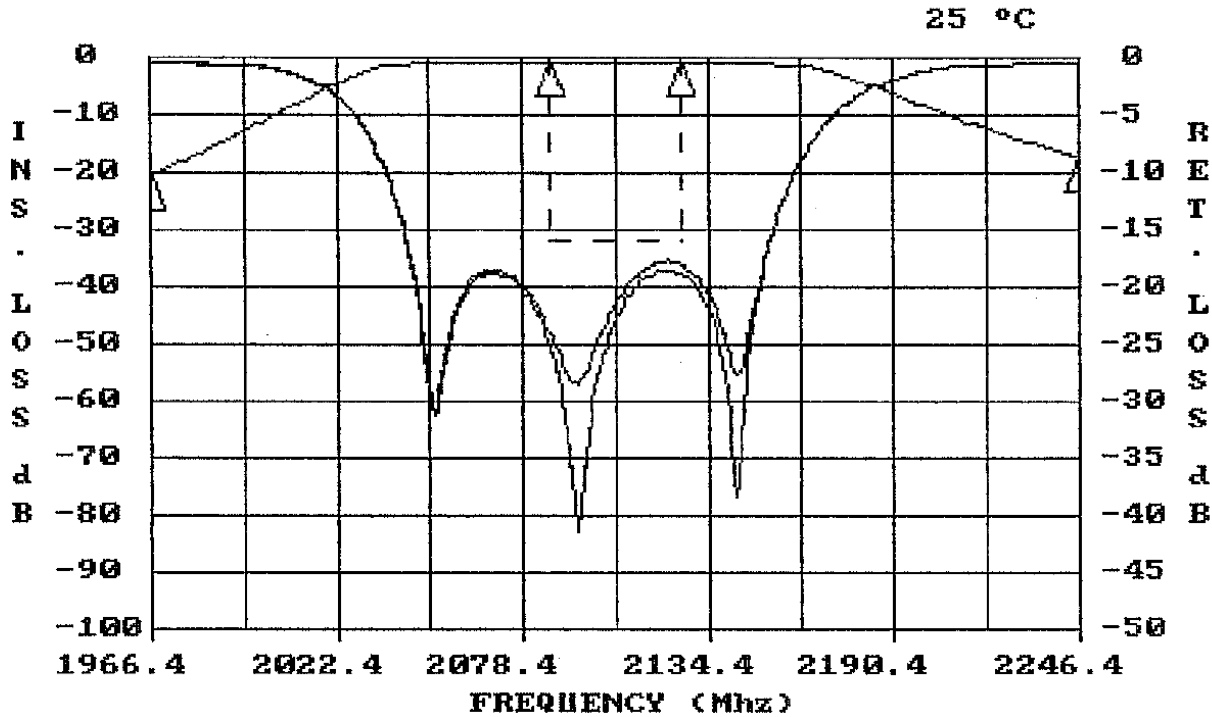
UNLESS OTHERWISE SPECIFIED  
DIMENSIONS ARE IN INCHES.  
TOLERANCES ARE:

INCHES	MILLIMETERS
.XX ± .02	[X.X] ± .5
.XXX ± .020	[X.XX] ± .51
.XXXX ± .0020	[X.XXX] ± .051

This document contains proprietary information and is to be used only for the purposes for which it has been supplied and is not to be duplicated or disclosed in whole or in part without written permission from a duly authorized representative of Knowles.

Phone: 1-315-655-8710 • Email: KPD-NA-sales@knowles.com • www.knowlescapacitors.com

Product and product information are subject to change without notice.



FREQUENCY (MHZ)	VALUE	SPEC	COMMENTS
1966.4	-19.8 dbC	-10 dbC MIN	
2246.4	-16.5 dbC	-10 dbC MIN	
2086.4- 2126.4	-.732 dbA	-.9 dbA MAX	
2086.4- 2126.4	-.038 dbC	-.5 dbC MAX	

FREQUENCY (MHZ)	VALUE	SPEC	COMMENTS
2086.4- 2126.4	-18.5	-16 db MIN	(S11) - VSWR
2086.4- 2126.4	-17.8	-16 db MIN	(S22) - VSWR

This document contains proprietary information and is to be used only for the purposes for which it has been supplied and is not to be duplicated or disclosed in whole or in part without written permission from a duly authorized representative of Knowles.

Phone: 1-315-655-8710 • Email: KPD-NA-sales@knowles.com • www.knowlescapacitors.com

Product and product information are subject to change without notice.