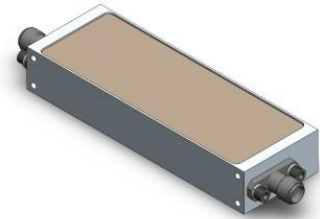


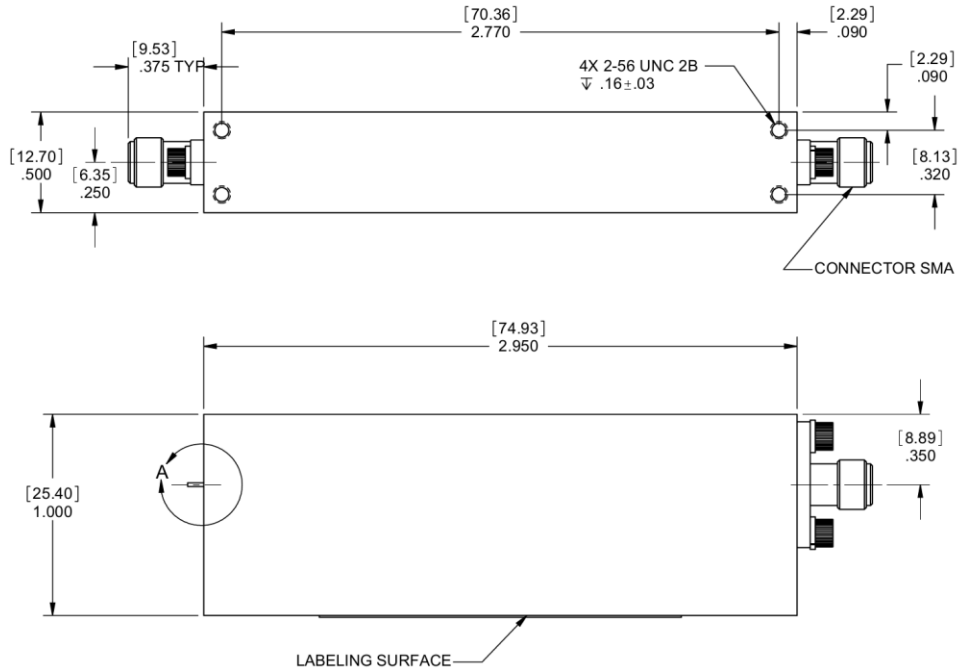
Ceramic Bandpass Filter



Features/Benefits

- Field Replaceable SMA-Female Connectors
- Made in U.S.A.

Parameter	Specification
Center Frequency (Fo)	1385 MHz
Passband	-5.0 dBc max from 1370 MHz to 1400 MHz
Return Loss	-15 dB min from 1373.75 MHz to 1396.25 MHz
Insertion Loss	-4.5 dBa max @ 1385 MHz
Rejection	-60 dBc min @ 1335 MHz -3 dBc min @ 1370 MHz -3 dBc min @ 1400 MHz -60 dBc min @ 1435 MHz
Temperature, Operating	-20°C to +50°C
Temperature, Storage	-55°C to +125°C
Mechanical Dimensions	2.950 x 1.000 x 0.500 inches [74.93 x 25.40 x 12.70 mm] (L X W X H)

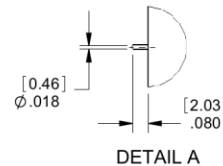


UNLESS OTHERWISE SPECIFIED
DIMENSIONS ARE IN INCHES.

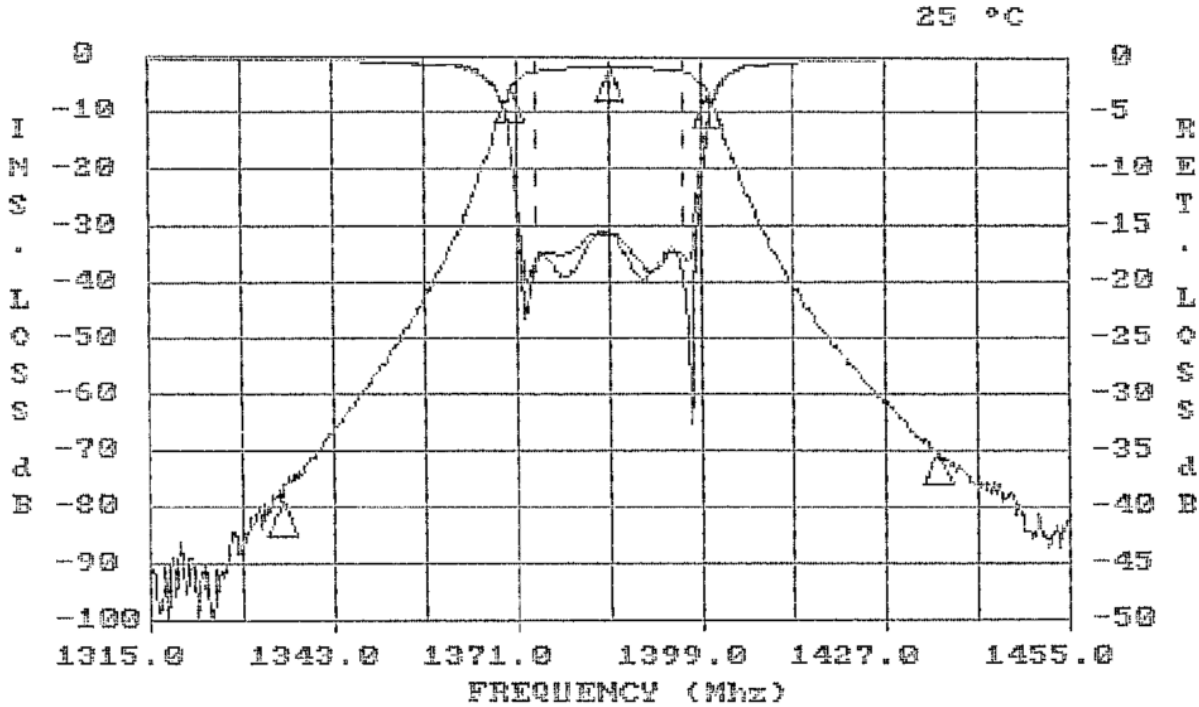
TOLERANCES ARE:

INCHES	MILLIMETERS
.XX ± .02	[X.X] ± .5
.XXX ± .010	[X.XX] ± .25
.XXXX ± .0020	[X.XXX] ± .051

CONNECTOR NOT SHOWN



This document contains proprietary information and is to be used only for the purposes for which it has been supplied and is not to be duplicated or disclosed in whole or in part without written permission from a duly authorized representative of Knowles.



FREQUENCY (MHZ)	VALUE	SPEC	COMMENTS
1385	-2.15 dbA	-4.5 dbA MAX	
1370	-3.86 dbC	-3 dbC MIN	
1400	-4.84 dbC	-3 dbC MIN	
1335	-76.6 dbC	-60 dbC MIN	
1435	-68.2 dbC	-60 dbC MIN	
1370 - 1400	-4.84 dbC	-5 dbC MAX	

FREQUENCY (MHZ)	VALUE	SPEC	COMMENTS
1373.7- 1396.25	-15.5	-15 db MIN	(S11) - VSWR
1373.7- 1396.25	-15.4	-15 db MIN	(S22) - VSWR

This document contains proprietary information and is to be used only for the purposes for which it has been supplied and is not to be duplicated or disclosed in whole or in part without written permission from a duly authorized representative of Knowles.

Phone: 1-315-655-8710 • Email: KPD-NA-sales@knowles.com • www.knowlescapacitors.com

Product and product information are subject to change without notice.