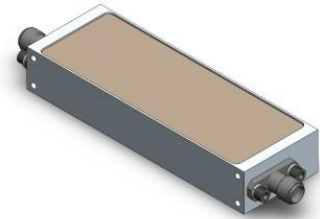


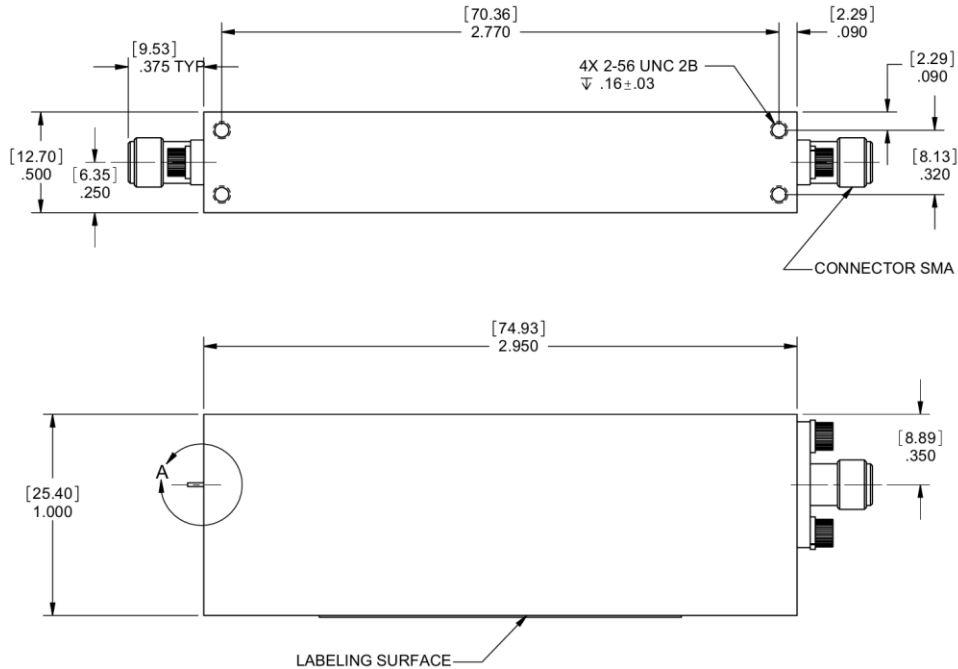
Ceramic Bandpass Filter



Features/Benefits

- Field Replaceable SMA-Female Connectors
- Made in U.S.A.

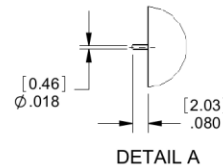
Parameter	Specification
Center Frequency (Fo)	1985 MHz
Passband	-5.0 dBc max from 1970 MHz to 2000 MHz
Return Loss	-15 dB min from 1973.75 MHz to 1996.25 MHz
Insertion Loss	-4.5 dBa max @ 1985 MHz
Rejection	-60 dBc min @ 1935 MHz -3 dBc min @ 1970 MHz -3 dBc min @ 2000 MHz -60 dBc min @ 2035 MHz
Temperature, Operating	-20°C to +50°C
Temperature, Storage	-55°C to +125°C
Mechanical Dimensions	2.950 x 1.000 x 0.500 inches [74.93 x 25.40 x 12.70 mm] (L X W X H)



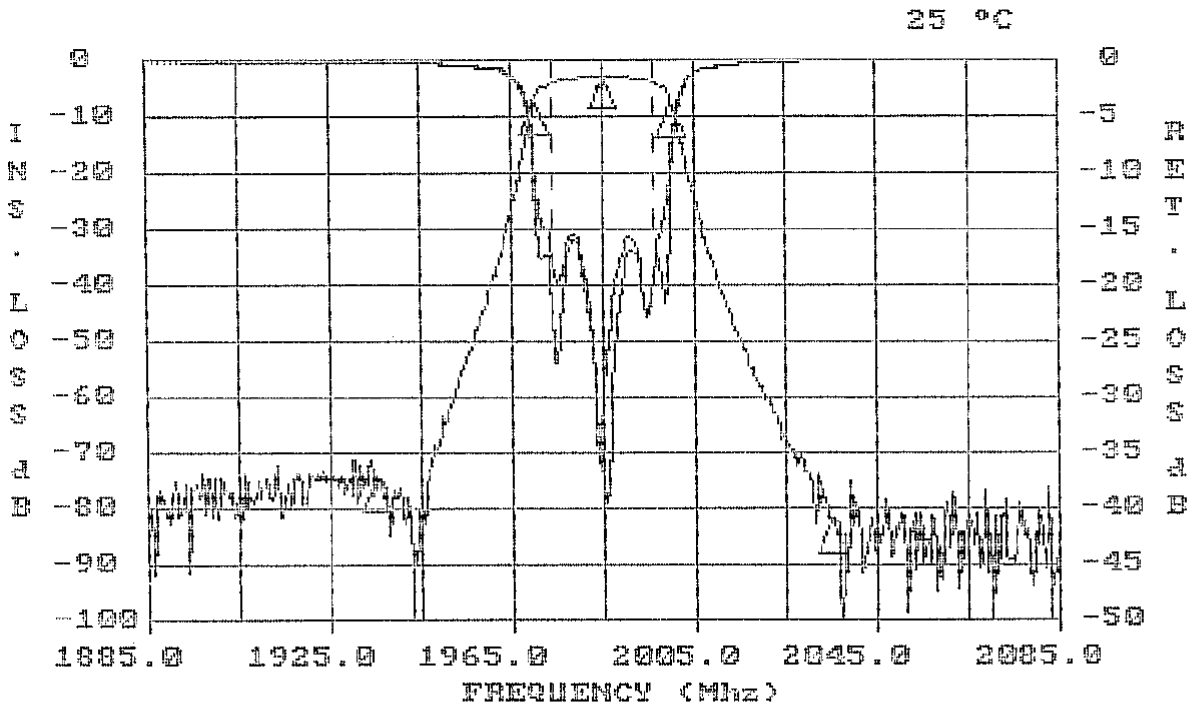
UNLESS OTHERWISE SPECIFIED
DIMENSIONS ARE IN INCHES.

TOLERANCES ARE:

INCHES	MILLIMETERS
.XX ± .02	[X.X] ± .5
.XXX ± .010	[X.XX] ± .25
.XXXX ± .0020	[X.XXX] ± .051



This document contains proprietary information and is to be used only for the purposes for which it has been supplied and is not to be duplicated or disclosed in whole or in part without written permission from a duly authorized representative of Knowles.



FREQUENCY (MHZ)	VALUE	SPEC	COMMENTS
1985	-2.86 dbA	-4.5 dbA MAX	
1970	-4.40 dbC	-3 dbC MIN	
2000	-4.75 dbC	-3 dbC MIN	
1935	-71.3 dbC	-60 dbC MIN	
2035	-79.2 dbC	-60 dbC MIN	
1970 - 2000	-4.75 dbC	-5 dbC MAX	

FREQUENCY (MHZ)	VALUE	SPEC	COMMENTS
1973.7- 1996.25	-15.9	-15 db MIN	(S11) - VSWR
1973.7- 1996.25	-15.4	-15 db MIN	(S22) - VSWR

This document contains proprietary information and is to be used only for the purposes for which it has been supplied and is not to be duplicated or disclosed in whole or in part without written permission from a duly authorized representative of Knowles.

Phone: 1-315-655-8710 • Email: KPD-NA-sales@knowles.com • www.knowlescapacitors.com

Product and product information are subject to change without notice.