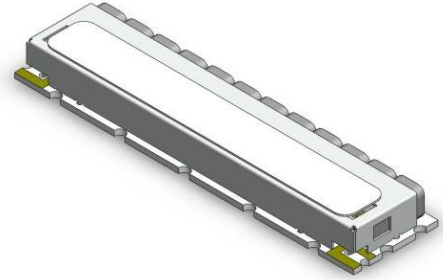


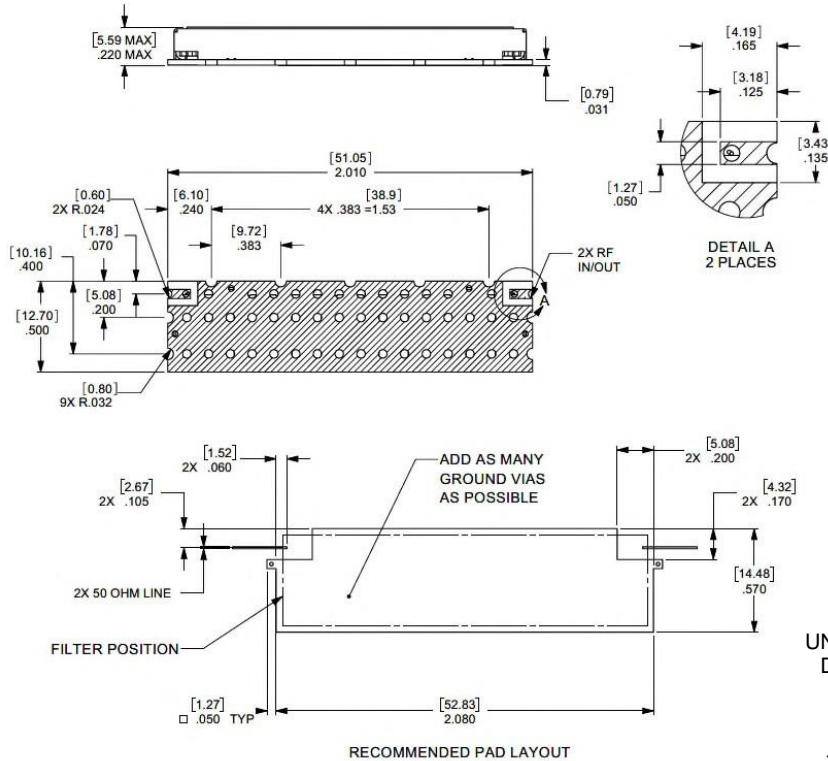
Ceramic Bandpass Filter

Features/Benefits

- Surface Mount
- Low Profile
- Made in U.S.A.



Parameter	Specification
Center Frequency (Fo)	1600 MHz
Passband	-1.5 dBc max from 1500 MHz to 1700 MHz
Return Loss	-14 dB from 1500 MHz to 1700 MHz
Insertion Loss	-3.0 dBa max @ 1600 MHz
Rejection	-90 dBc min @ 1400 MHz -60 dBc min from 0.5 MHz to 600 MHz -50 dBc min from 1100 MHz to 1300 MHz -60 dBc min from 1800 MHz to 3000 MHz
Temperature, Operating	-20°C to +85°C
Temperature, Storage	-55°C to +125°C
Temperature, Soldering	+215°C MAX (use convective reflow)
Mechanical Dimensions	2.010 x 0.500 x 0.220 inches [51.05 x 12.70 x 5.59 mm] (L X W X H)



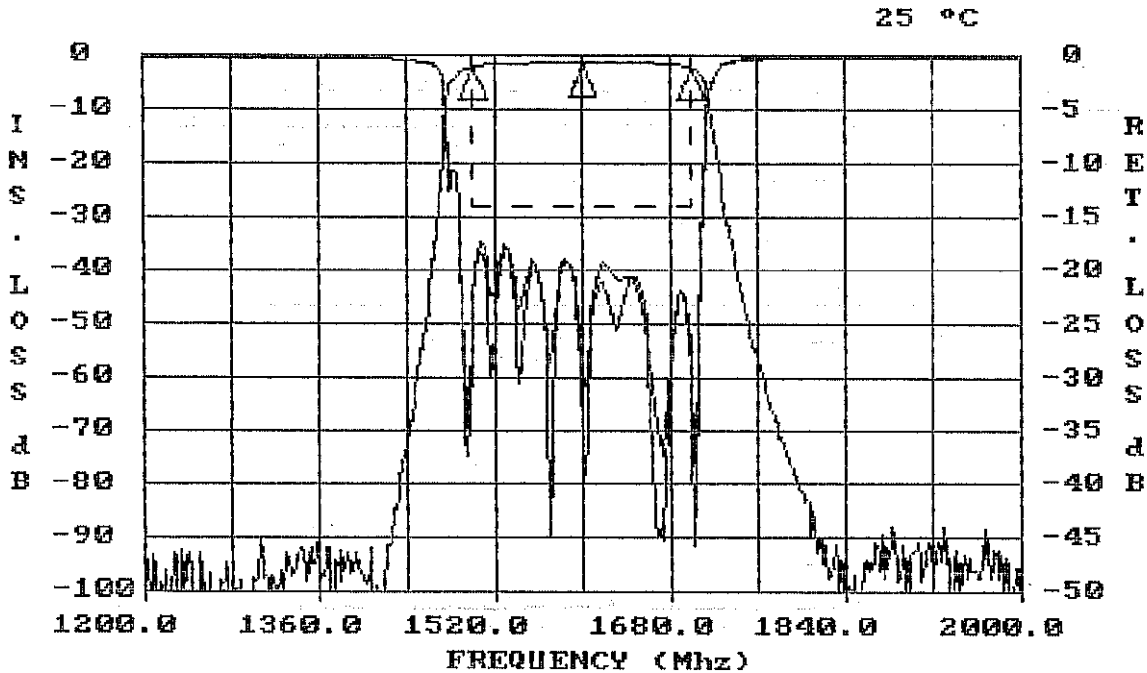
UNLESS OTHERWISE SPECIFIED
DIMENSIONS ARE IN INCHES.
TOLERANCES ARE:

INCHES	MILLIMETERS
.XX ± .02	[X.X] ± .5
.XXX ± .020	[X.XX] ± .51
.XXXX ± .0020	[X.XXX] ± .051

This document contains proprietary information and is to be used only for the purposes for which it has been supplied and is not to be duplicated or disclosed in whole or in part without written permission from a duly authorized representative of Knowles.

Phone: 1-315-655-8710 • Email: KPD-NA-sales@knowles.com • www.knowlescapacitors.com

Product and product information are subject to change without notice.



FREQUENCY (MHZ)	VALUE	SPEC	COMMENTS
1600	-1.30 dbA	-3 dbA MAX	
1500 - 1700	-.942 dbC	-1.5 dbC MAX	
FREQUENCY (MHZ)	VALUE	SPEC	COMMENTS
1400	-95.1 dbC	-90 dbC MIN	
.5 - 600	-90.9 dbC	-60 dbC MIN	
1100 - 1300	-91.9 dbC	-50 dbC MIN	
1800 - 3000	-73.0 dbC	-60 dbC MIN	
FREQUENCY (MHZ)	VALUE	SPEC	COMMENTS
1500 - 1700	-17.8	-14 db MIN	(S11) - VSWR
1500 - 1700	-17.5	-14 db MIN	(S22) - VSWR

This document contains proprietary information and is to be used only for the purposes for which it has been supplied and is not to be duplicated or disclosed in whole or in part without written permission from a duly authorized representative of Knowles.

Phone: 1-315-655-8710 • Email: KPD-NA-sales@knowles.com • www.knowlescapacitors.com

Product and product information are subject to change without notice.