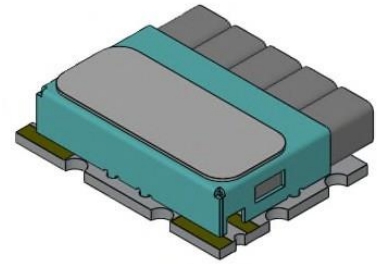


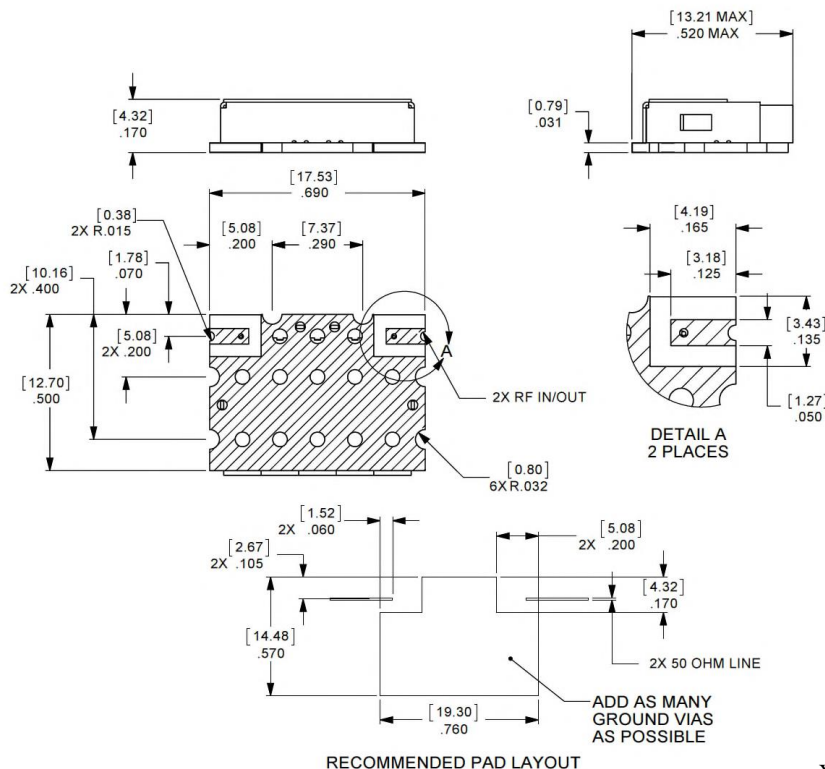
Ceramic Bandpass Filter

Features/Benefits

- Ceramic Filter
- Low Cost
- Low Profile
- Made in U.S.A.



| Parameter | Specification |
|------------------------|--|
| Center Frequency (Fo) | 4700 MHz |
| Passband (PB) | -1.0 dBc max from 4400 MHz to 5000 MHz |
| Insertion Loss | -2.0 dBa max from 4400 MHz to 5000 MHz |
| Return Loss | -14 dB from 4400 MHz to 5000 MHz |
| Rejection | -50 dBc min @ 3700 MHz -50 dBc min @ 4125 MHz |
| Temperature, Operating | -20°C to +70°C |
| Temperature, Storage | -55°C to +125°C |
| Temperature, Soldering | +215°C MAX (use convective reflow) |
| Mechanical Dimensions | 0.690 x 0.520 x 0.170 inches [17.53 x 13.21 x 4.32 mm] |



UNLESS OTHERWISE SPECIFIED
DIMENSIONS ARE IN INCHES.

TOLERANCES ARE:

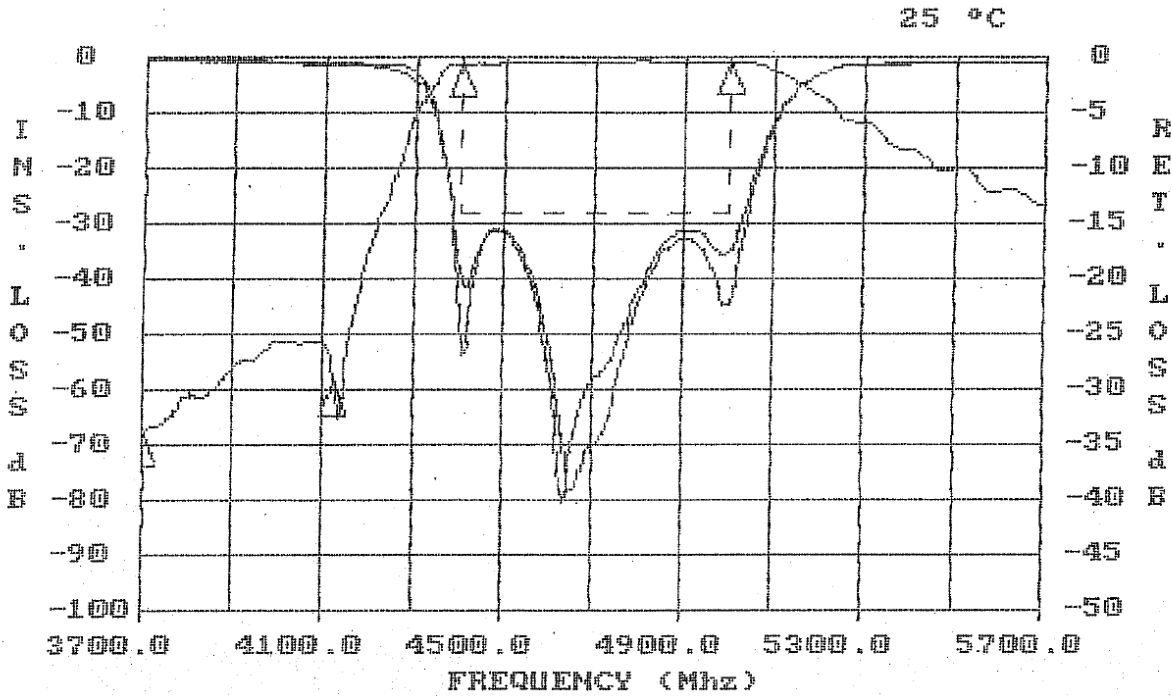
| INCHES | MILLIMETERS |
|---------------|----------------|
| .XX ± .02 | [X.X] ± .5 |
| .XXX ± .020 | [X.XX] ± .51 |
| .XXXX ± .0020 | [X.XXX] ± .051 |

NOTES:
1. UNDIMENSIONED FEATURES ARE SUBJECT TO VARIATION.

This document contains proprietary information and is to be used only for the purposes for which it has been supplied and is not to be duplicated or disclosed in whole or in part without written permission from a duly authorized representative of Knowles.

Phone: 1-315-655-8710 • Email: KPD-NA-sales@knowles.com • www.knowlescapacitors.com

Product and product information are subject to change without notice.



| FREQUENCY (MHZ) | VALUE | SPEC | COMMENTS |
|-----------------|-----------|-------------|--------------|
| 3700 | -67.0 dbC | -50 dbC MIN | |
| 4125 | -57.8 dbC | -50 dbC MIN | |
| 4400 - 5000 | -1.21 dbA | -2 dbA MAX | |
| 4400 - 5000 | -.639 dbC | -1 dbC MAX | |
| FREQUENCY (MHZ) | VALUE | SPEC | COMMENTS |
| 4400 - 5000 | -15.6 | -14 db MIN | (S11) - VSWR |
| 4400 - 5000 | -15.4 | -14 db MIN | (S22) - VSWR |

This document contains proprietary information and is to be used only for the purposes for which it has been supplied and is not to be duplicated or disclosed in whole or in part without written permission from a duly authorized representative of Knowles.

Phone: 1-315-655-8710 • Email: KPD-NA-sales@knowles.com • www.knowlescapacitors.com

Product and product information are subject to change without notice.