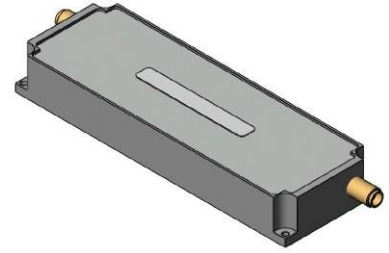


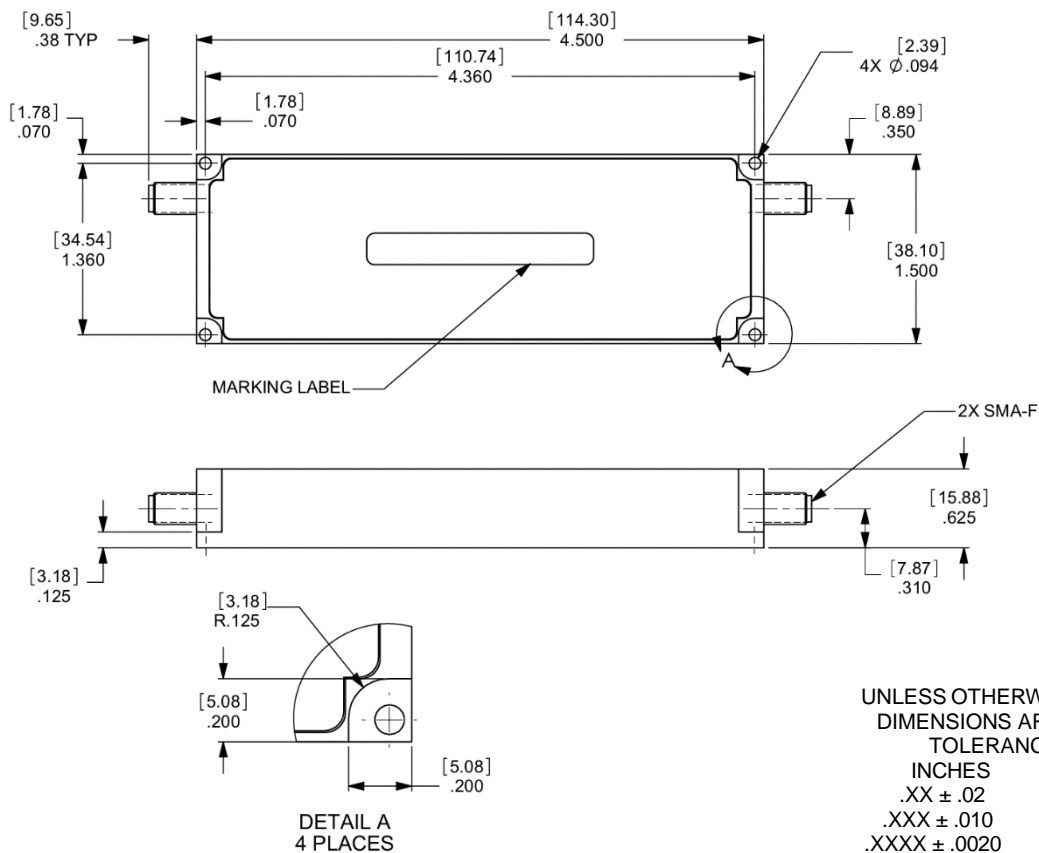
Ceramic Bandpass Filter



Features/Benefits

- Ceramic Filter
- SMA-Female Connectors
- Made in U.S.A.

Parameter	Specification
Center Frequency (Fo)	2140 MHz
Passband	0.6 dBc max from 2110 MHz to 2170 MHz
Return Loss	16 dB from 2110 MHz to 2170 MHz
Insertion Loss	1.25 dBa max @ 2140 MHz
Rejection	-65 dBc min from 0.3 MHz to 1980 MHz
Temperature, Operating	-10°C to +50°C
Temperature, Storage	-55°C to +125°C
Mechanical Dimensions	4.500 x 1.500 x 0.625 inches [114.30 x 38.1 x 15.88 mm] (L X W X H)



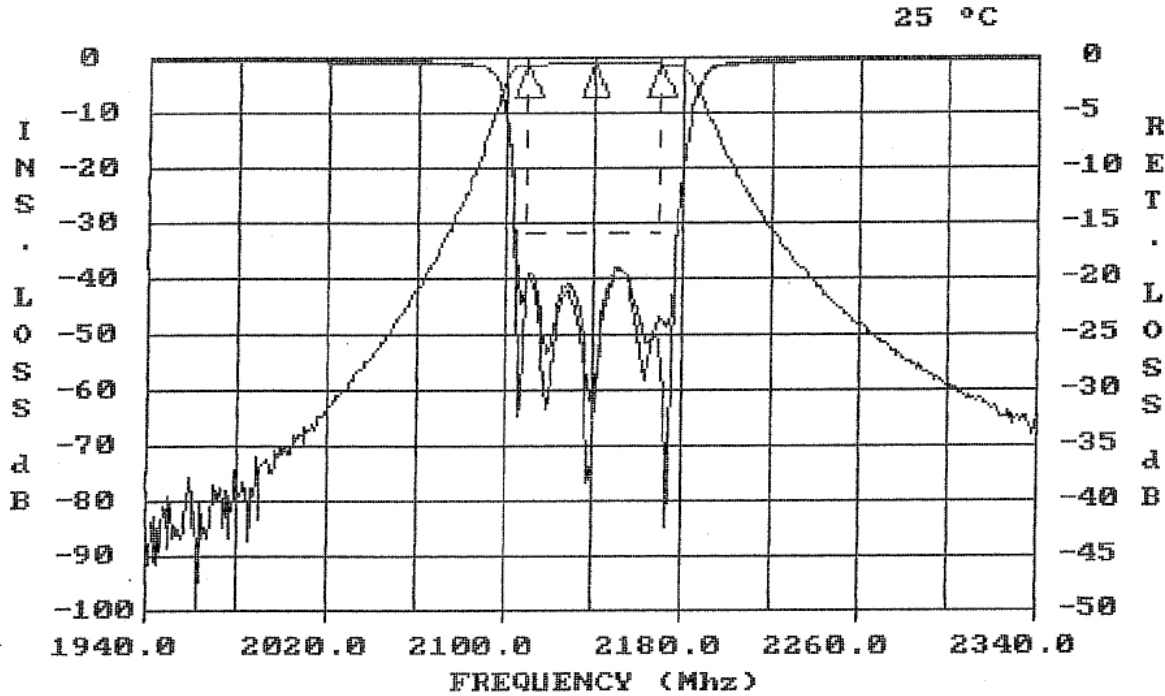
UNLESS OTHERWISE SPECIFIED
DIMENSIONS ARE IN INCHES.
TOLERANCES ARE:

INCHES	MILLIMETERS
.XX ± .02	[X.X] ± .5
.XXX ± .010	[X.XX] ± .25
.XXXX ± .0020	[X.XXX] ± .051

This document contains proprietary information and is to be used only for the purposes for which it has been supplied and is not to be duplicated or disclosed in whole or in part without written permission from a duly authorized representative of Knowles.

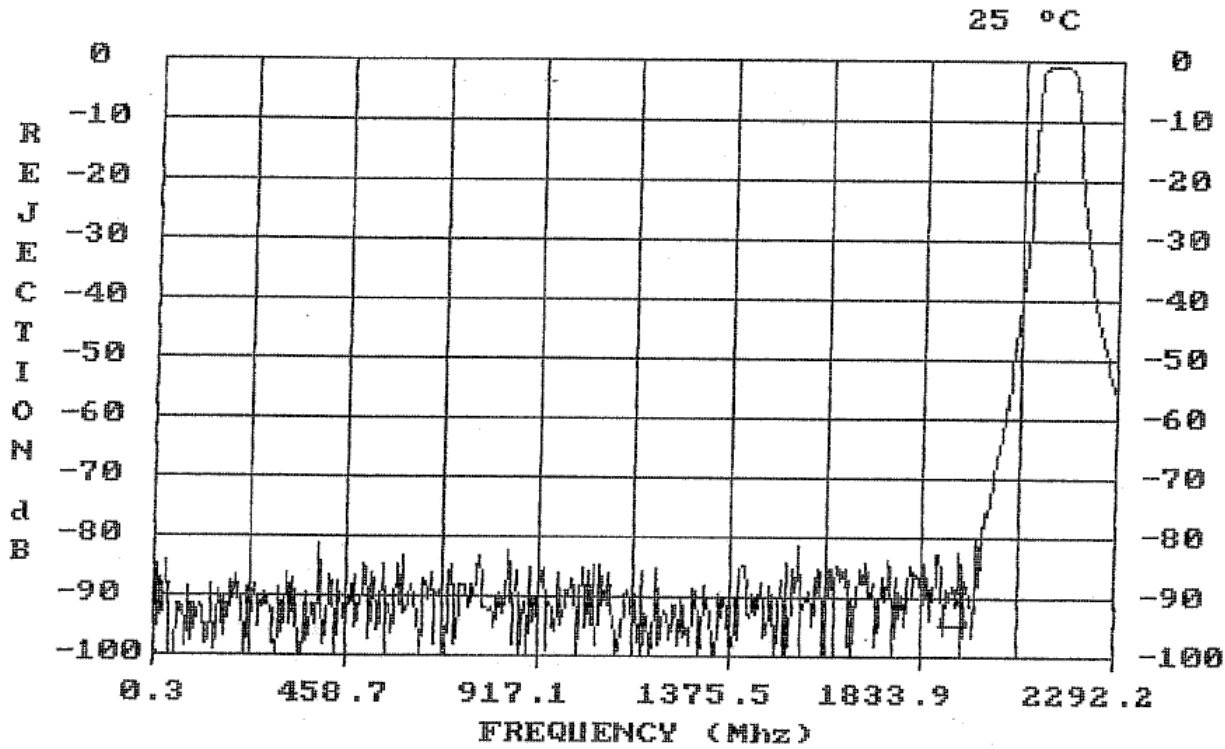
Phone: 1-315-655-8710 • Email: KPD-NA-sales@knowles.com • www.knowlescapacitors.com

Product and product information are subject to change without notice.



FREQUENCY (MHZ)	VALUE	SPEC	COMMENTS
2140	-.891 dbA	-1.25dbA MAX	
2110 - 2170	-.375 dbC	-.6 dbC MAX	
	VALUE	SPEC	COMMENTS
	83.60 MHZ	60 MHZ MIN	-3dbC Width
	2141.72MHZ	2040 MIN	Center Freq.
	2141.72MHZ	2240 MAX	Center Freq.
FREQUENCY (MHZ)	VALUE	SPEC	COMMENTS
2110 - 2170	-19.3	-16 db MIN	(S11) - VSWR
2110 - 2170	-19.1	-16 db MIN	(S22) - VSWR

This document contains proprietary information and is to be used only for the purposes for which it has been supplied and is not to be duplicated or disclosed in whole or in part without written permission from a duly authorized representative of Knowles.



FREQUENCY (MHZ)	VALUE	SPEC	COMMENTS
.3 - 1910	-80.2 dbC	-65 dbC MIN	

This document contains proprietary information and is to be used only for the purposes for which it has been supplied and is not to be duplicated or disclosed in whole or in part without written permission from a duly authorized representative of Knowles.

Phone: 1-315-655-8710 • Email: KPD-NA-sales@knowles.com • www.knowlescapacitors.com

Product and product information are subject to change without notice.