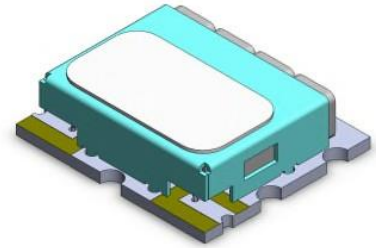


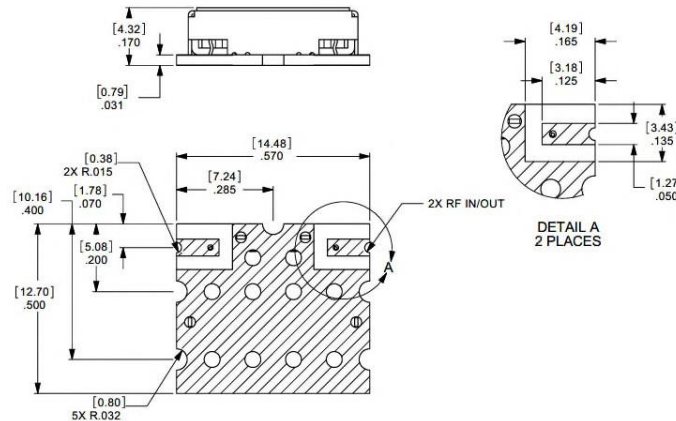
Ceramic Bandpass Filter

Features/Benefits

- Surface Mount
- Low Profile
- Made in U.S.A.

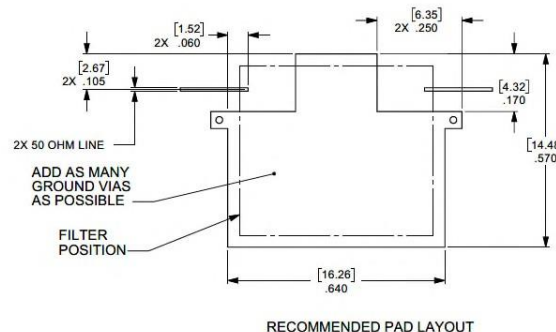


Parameter	Specification
Center Frequency (Fo)	7250 MHz
Passband	-1 dBc max from 7210 MHz to 7290 MHz
Return Loss	-15 dB min from 7210 MHz to 7290 MHz
Insertion Loss	-4 dBa max @ 7250 MHz
Rejection	-60 dBc min @ 1520 MHz -35 dBc min @ 7000 MHz -35 dBc min @ 7500 MHz -60 dBc min @ 8650 MHz
Temperature, Operating	-20°C to +70°C
Temperature, Storage	-20°C to +70°C
Temperature, Soldering	+215°C MAX (use convective reflow)
Mechanical Dimensions	0.570 x 0.500 x 0.170 inches [14.84 x 12.70 x 4.32 mm] (L X W X H)

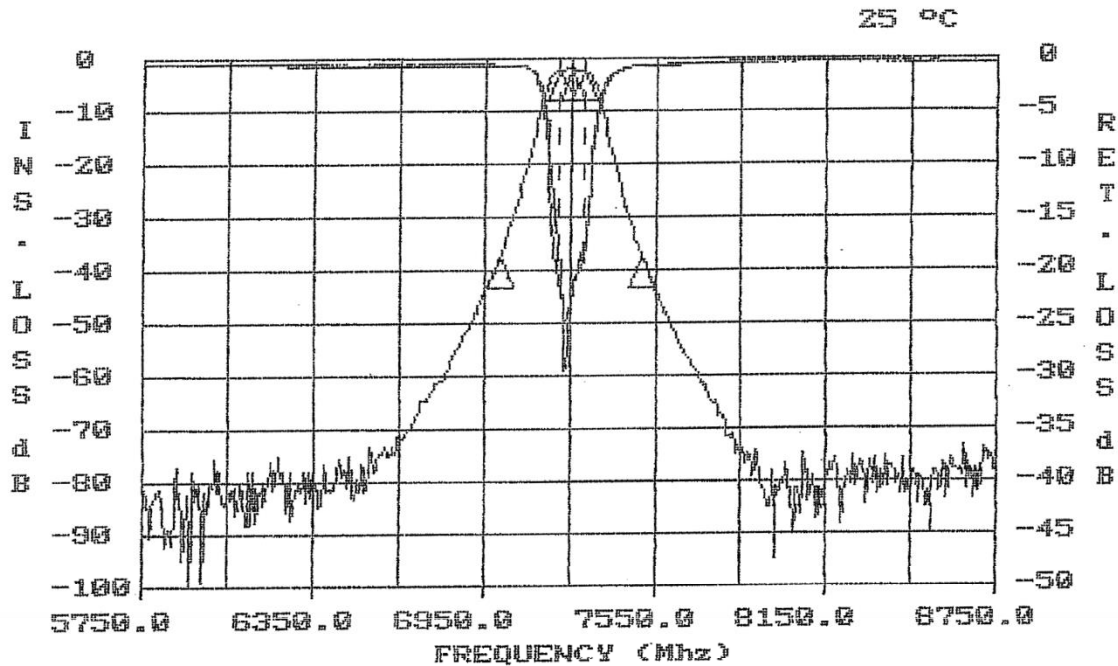


UNLESS OTHERWISE SPECIFIED
DIMENSIONS ARE IN INCHES.
TOLERANCES ARE:

INCHES	MILLIMETERS
.XX ± .02	[X.X] ± .5
.XXX ± .020	[X.XX] ± .51
.XXXX ± .0020	[X.XXX] ± .051

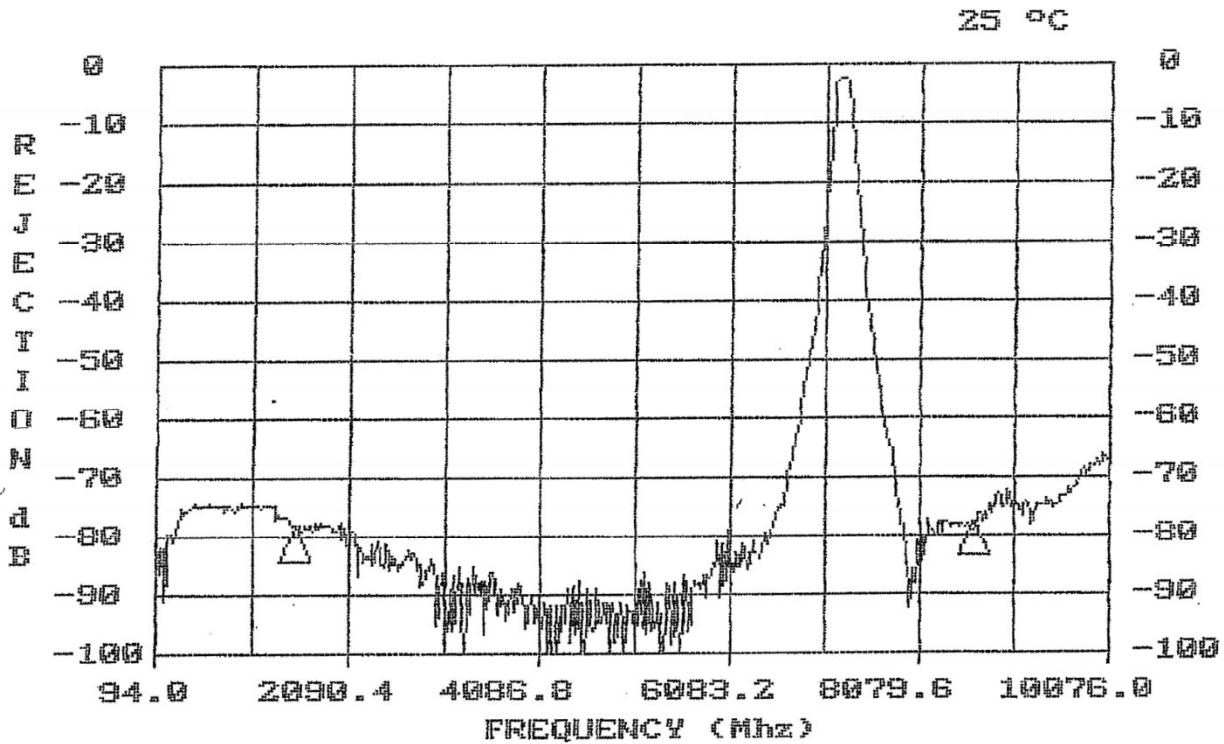


This document contains proprietary information and is to be used only for the purposes for which it has been supplied and is not to be duplicated or disclosed in whole or in part without written permission from a duly authorized representative of Knowles.



FREQUENCY (MHZ)	VALUE	SPEC	COMMENTS
7250	-2.25 dbA	-4 dbA MAX	
7000	-35.4 dbC	-33 dbC MIN	
7500	-35.4 dbC	-33 dbC MIN	
7210 - 7290	-.244 dbC	-1 dbC MAX	
	VALUE	SPEC	COMMENTS
	171.9 MHZ	80 MHZ MIN	-3dbC Width
	7247.43MHZ	7200 MIN	Center Freq.
	7247.43MHZ	7300 MAX	Center Freq.
FREQUENCY (MHZ)	VALUE	SPEC	COMMENTS
7210 - 7290	-19.7	-15 db MIN	(S11) - VSWR
7210 - 7290	-18.3	-15 db MIN	(S22) - VSWR

This document contains proprietary information and is to be used only for the purposes for which it has been supplied and is not to be duplicated or disclosed in whole or in part without written permission from a duly authorized representative of Knowles.



FREQUENCY (MHZ)	VALUE	SPEC	COMMENTS
1520	-76.0 dbC	-60 dbC MIN	
8650	-75.3 dbC	-60 dbC MIN	

This document contains proprietary information and is to be used only for the purposes for which it has been supplied and is not to be duplicated or disclosed in whole or in part without written permission from a duly authorized representative of Knowles.