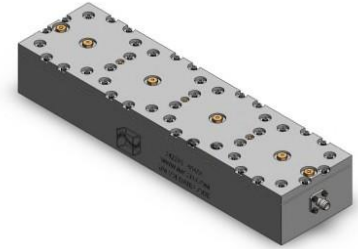


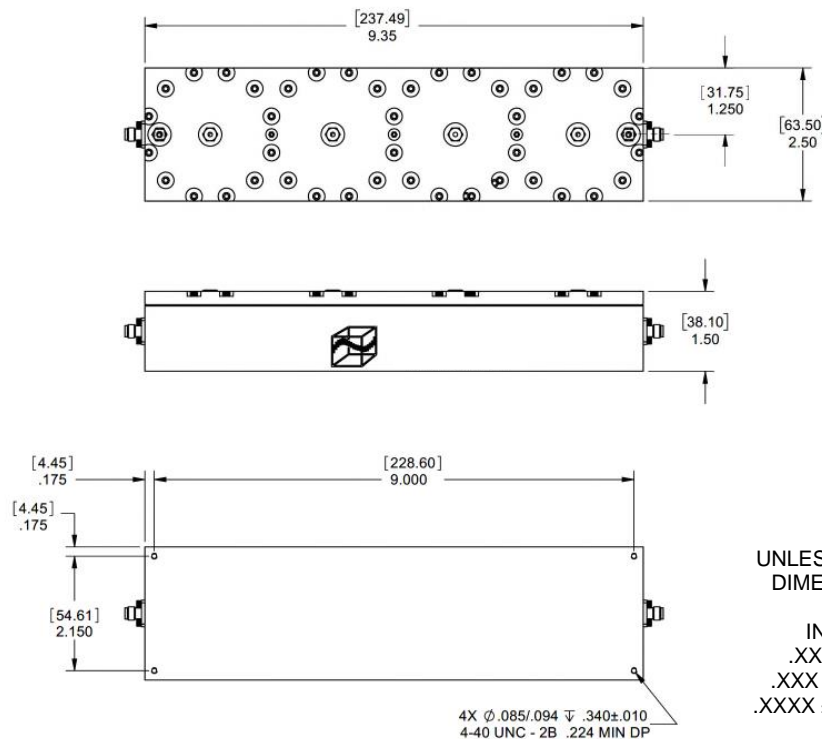
## Waveguide Bandpass Filter

### Features/Benefits

- Waveguide Filter
- SMA-Female Connectors
- Made in U.S.A.



Parameter	Specification
Center Frequency (Fo)	4000 MHz
Passband	-3 dBc from 3999 MHz to 4001 MHz
Return Loss	-15 dB min from 3999.7 MHz to 4000.25 MHz
Insertion Loss	-10 dBa max @ 4000 MHz -1 dBc max @ 3999.75 MHz
Rejection	-50 dBc min @ 3993 MHz -30 dBc min @ 3997 MHz -3 dBc min @ 3999 MHz -3 dBc min @ 4001 MHz -30 dBc min @ 4003 MHz -50 dBc min @ 4007 MHz
Temperature, Operating	+19°C to +23°C
Temperature, Storage	-55°C to +125°C
Mechanical Dimensions	9.35 x 2.50 x 1.50 inches [237.49 x 63.50 x 38.10 mm] (L X W X H)



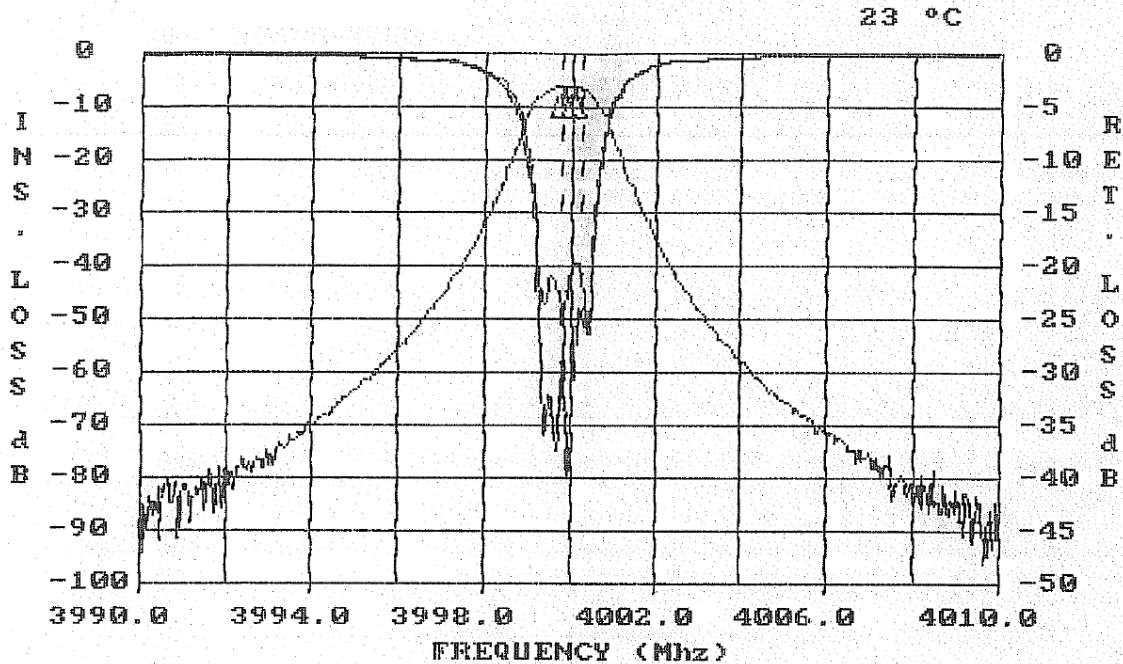
UNLESS OTHERWISE SPECIFIED  
DIMENSIONS ARE IN INCHES.  
TOLERANCES ARE:

INCHES	MILLIMETERS
.XX $\pm$ .02	[X.X] $\pm$ .5
.XXX $\pm$ .010	[X.XX] $\pm$ .25
.XXXX $\pm$ .0020	[X.XXX] $\pm$ .051

This document contains proprietary information and is to be used only for the purposes for which it has been supplied and is not to be duplicated or disclosed in whole or in part without written permission from a duly authorized representative of Knowles.

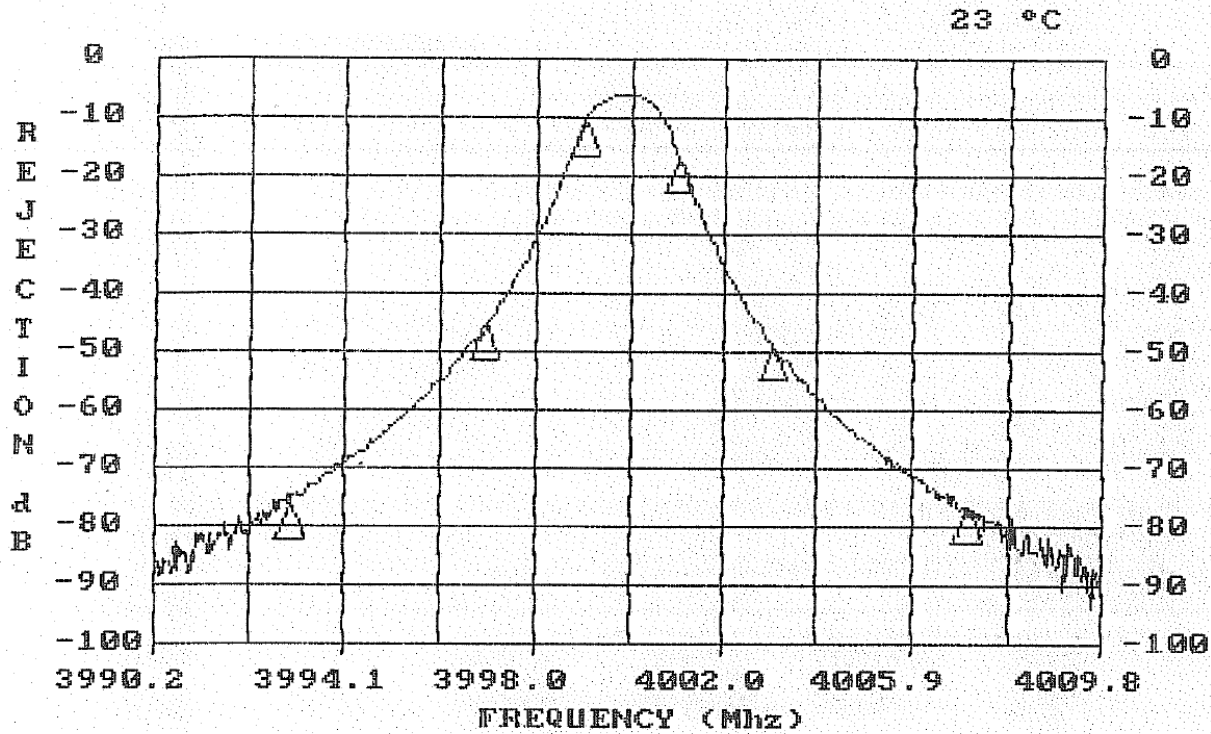
Phone: 1-315-655-8710 • Email: KPD-NA-sales@knowles.com • www.knowlescapacitors.com

Product and product information are subject to change without notice.



FREQUENCY (MHZ)	VALUE	SPEC	COMMENTS
4000	-6.16 dbA	-10 dbA MAX	
3999.75	-.029 dbC	-1 dbC MAX	
3999.75	-.029 dbC	-1 dbC MAX	
	VALUE	SPEC	COMMENTS
	1.490 MHZ	1 MHZ MIN	-3dbc Width
	3999.84MHZ	3999 MIN	Center Freq.
	3999.84MHZ	4001 MAX	Center Freq.
FREQUENCY (MHZ)	VALUE	SPEC	COMMENTS
3999.7- 4000.25	-24.2	-15 db MIN	(S11) - VSWR
3999.7- 4000.25	-19.6	-15 db MIN	(S22) - VSWR

This document contains proprietary information and is to be used only for the purposes for which it has been supplied and is not to be duplicated or disclosed in whole or in part without written permission from a duly authorized representative of Knowles.



FREQUENCY (MHZ)	VALUE	SPEC	COMMENTS
3993	-70.2 dbC	-50 dbC MIN	
3997	-39.6 dbC	-30 dbC MIN	
3999	-5.28 dbC	-3 dbC MIN	
4001	-10.8 dbC	-3 dbC MIN	
4003	-42.9 dbC	-30 dbC MIN	
4007	-70.7 dbC	-50 dbC MIN	

This document contains proprietary information and is to be used only for the purposes for which it has been supplied and is not to be duplicated or disclosed in whole or in part without written permission from a duly authorized representative of Knowles.

Phone: 1-315-655-8710 • Email: KPD-NA-sales@knowles.com • www.knowlescapacitors.com

Product and product information are subject to change without notice.