

25.0 GHz Surface Mount Band pass Filter

B250LA0S

DESCRIPTION

One of DLI's surface mountable catalog band pass filters. This filter utilizes DLI's low loss temperature stable materials which offer small size and minimal performance variation over temperature. The catalog BPF's are offered in a variety of frequency bands, which offers a drop in solution with highly repeatable performance.

FEATURES

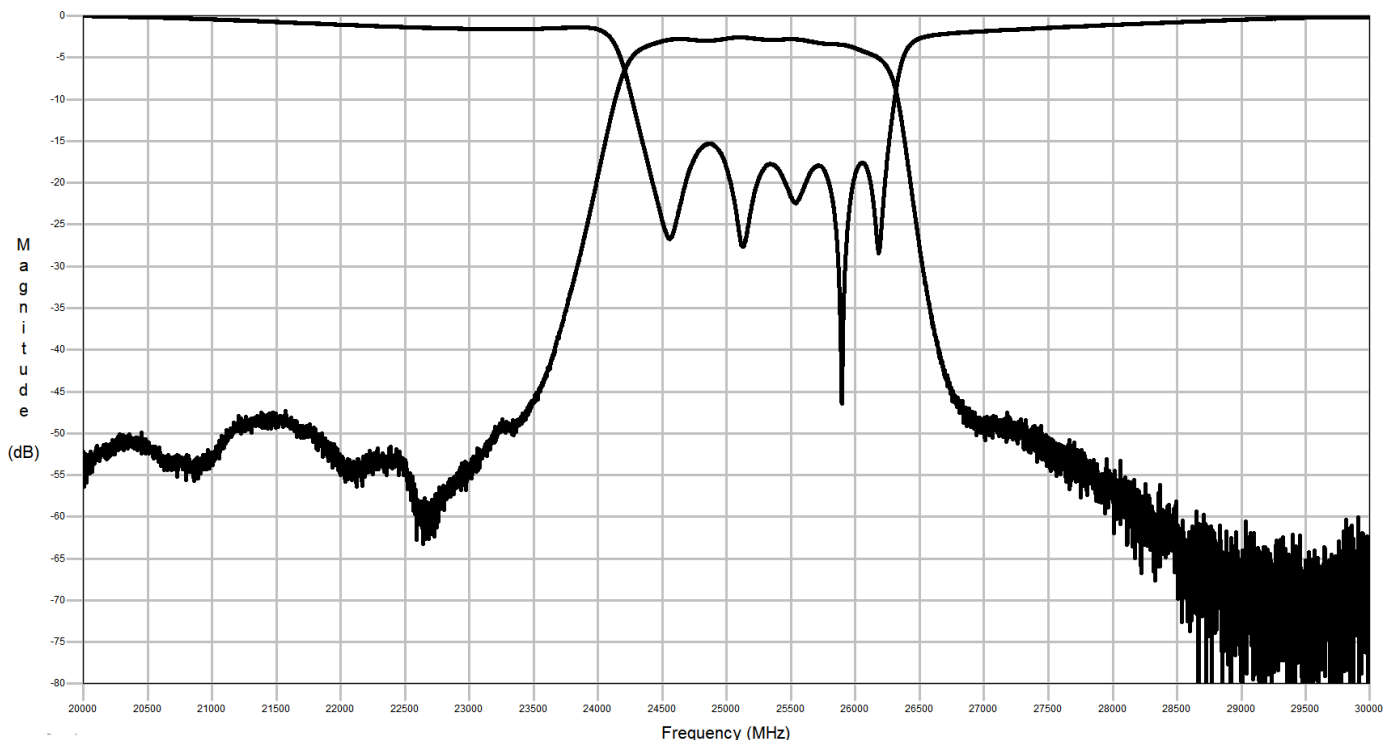
- Small Size
- Fully Shielded Component
- Solder Surface Mount Package
- Moisture Sensitivity Level: MSL1
- Frequency Stable over Temperature
- Operating & Storage Temp: -55°C to +125°C
- Characteristic Impedance: 50Ω

SPECIFICATIONS*

Parameter	Frequency Range (GHz)	Min	Typ.	Max
Insertion Loss (dB)	24.5 - 25.5	-	3.75	4.0
Return Loss (dB)		10	12	15
Low Side Rejection (dB)	DC - 23.25	40	50	45
High Side Rejection (dB)	26.75 - 30.0	40	50	45
Input Power (W)				TBD
Size (L x W x H)	0.450 x 0.140 x 0.088 in 11.43 X 3.55 X 2.23 mm			

*Electrical specifications based on typical probed performance at room temperature. Insertion loss shall vary ± 0.5 dB over temperature.

Typical Measured Performance

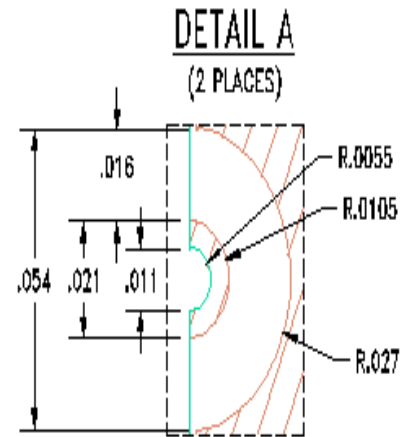
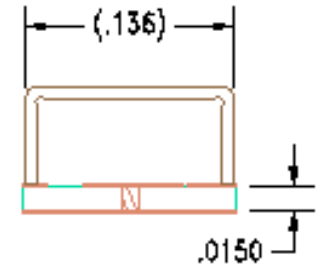
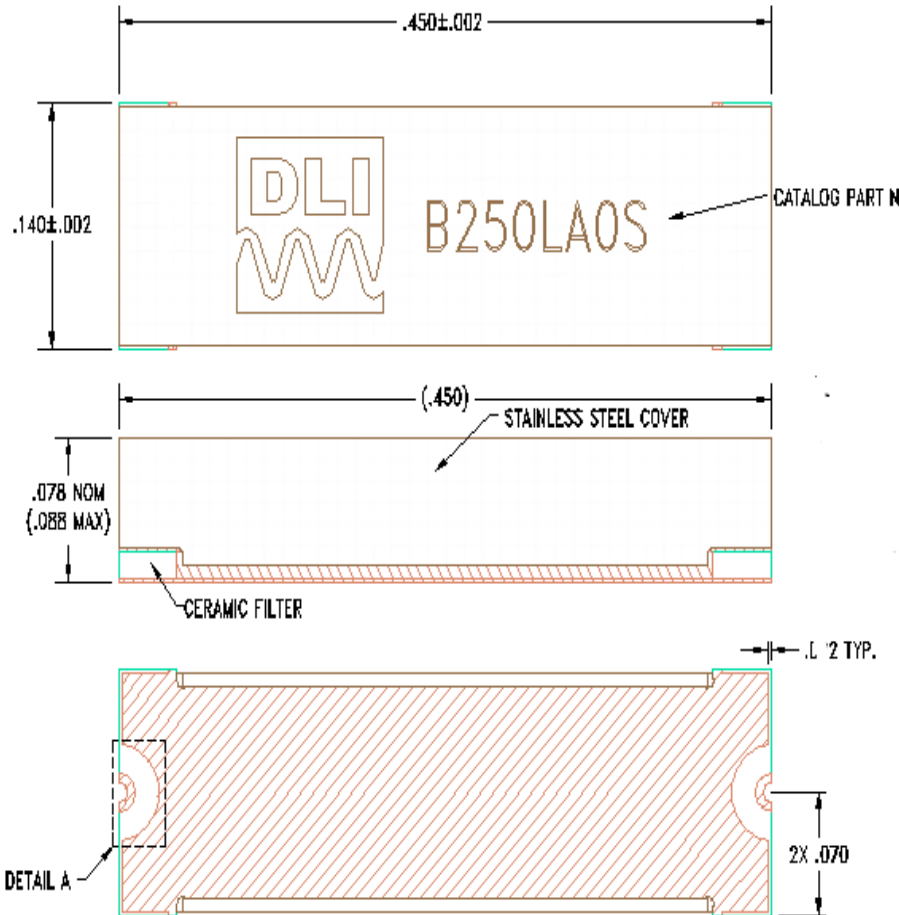


25.0 GHz Surface Mount Band pass Filter

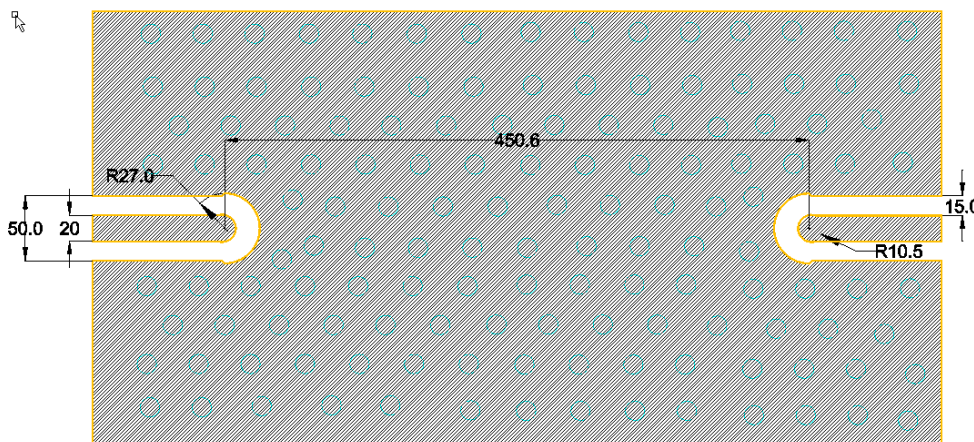
B250LA0S

Physical Dimensions

Units = inches



Recommended PCB Layout



- 50Ω trace (10.0 mils R04350B) dimensions are application specific.
- Ensure adequate grounding beneath the part.

