

## 26 GHz Surface Mount Bandpass Filter

### B260MB2S

#### DESCRIPTION

One of DLI's surface mount catalog band pass filters designed for the 5G band. This filter utilizes DLI's low loss temperature stable materials which offer small size and minimal performance variation over temperature. DLI's catalog BPF's are offered in a variety of frequency bands, which offers a drop-in solution with highly repeatable performance.

#### FEATURES

- Small Size
- Shielded Component
- Surface Mount Package
- Moisture Sensitivity Level: MSL1
- Frequency Stable over Temperature
- Operating & Storage Temp: -55°C to +125°C
- 50Ω Characteristic Impedance

#### Packaging and Ordering information:

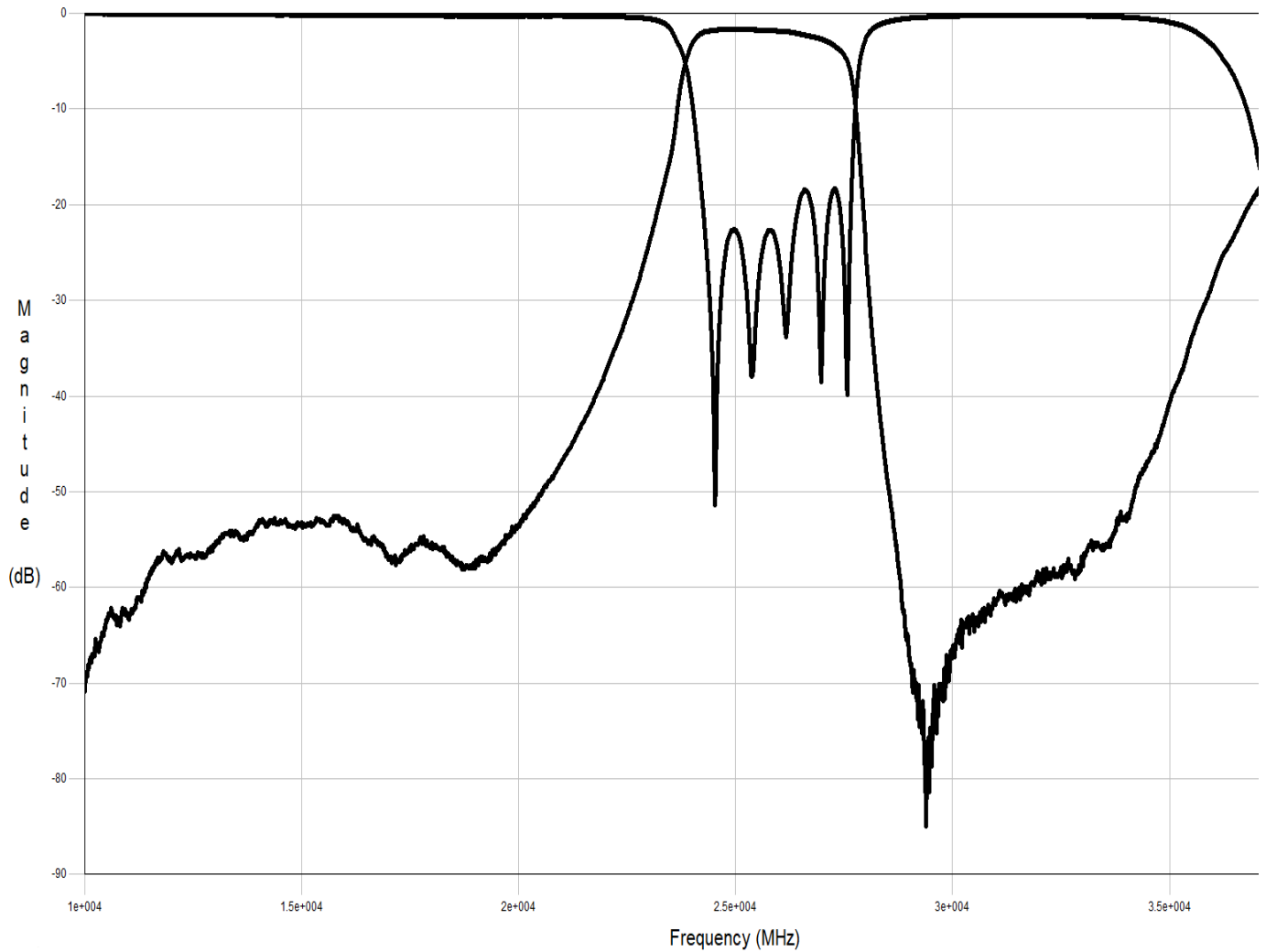
To request Tape and Reel packaging, please order part number B260MB2S-T

#### SPECIFICATIONS\* (based on simulated data)

Parameter	Frequency Range (GHz)	Min	Typ.	Max
Insertion Loss (dB)	24.5 - 27.5	—	4.5	5.0
Return Loss (dB)		10	15	—
Low Side Rejection (dB)	DC - 21.0	45	50	—
	21.0 - 21.70	40	45	—
	21.7 - 22.6	30	35	—
	22.6 - 23.6	10.0	12	—
High Side Rejection (dB)	28.2 - 28.6	15	18	—
	28.6 - 29.0	40	45	—
	29.0 - 35.0	55	60	—
Size (L x W x H)	0.260(L) X 0.120 (W) X 0.079 (H) in  6.60 (L) X 3.0 (W) X 2.80(H) mm			

\*Electrical specifications at room temperature. Insertion loss shall vary up to ±0.5 dB over temperature.

## RF Measured Performance

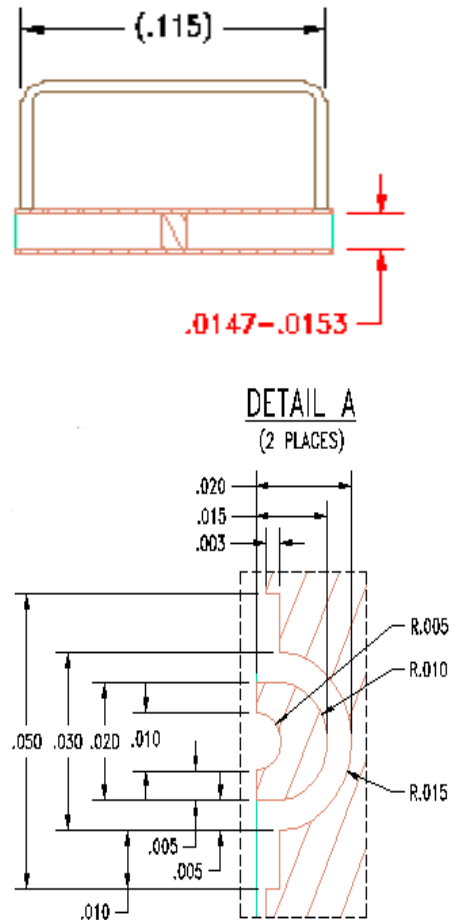
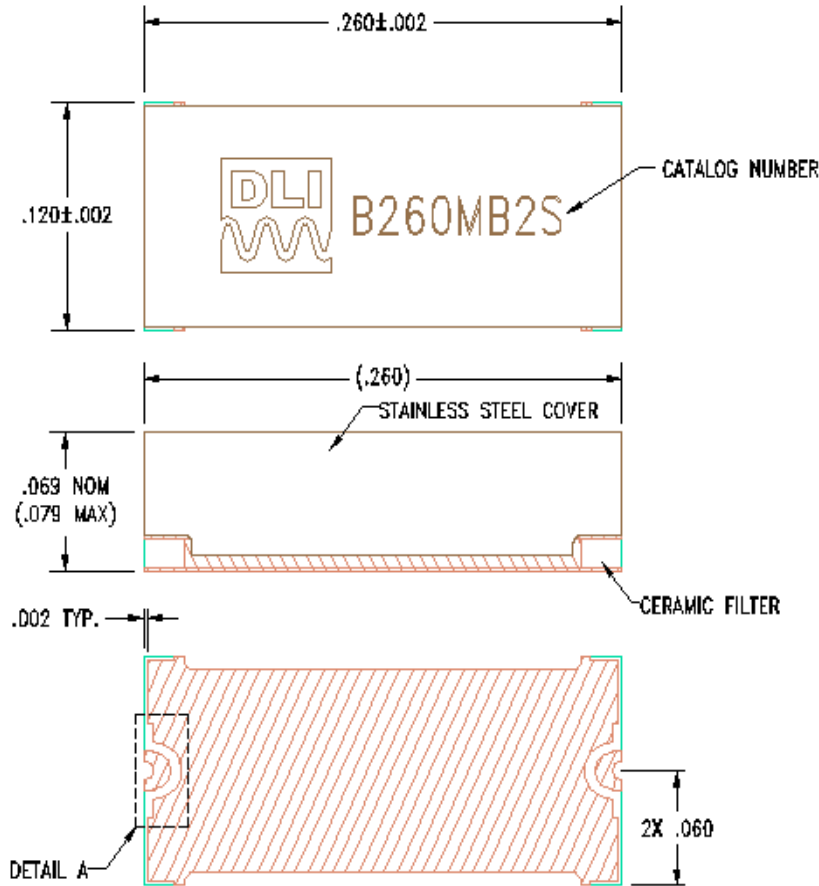


**26 GHz Surface Mount Bandpass Filter**

**B260MB2S**

**Physical Dimensions**

Units = inches (in)



MAXIMUM ASSEMBLY PROCESS TEMPERATURE: 250°C

- 50Ω trace dimensions are application specific.
- Ensure adequate grounding beneath the part.



**26 GHz Surface Mount Bandpass Filter**

**B260MB2S**

**PCB Pattern Recommendations**

Unit : mil

