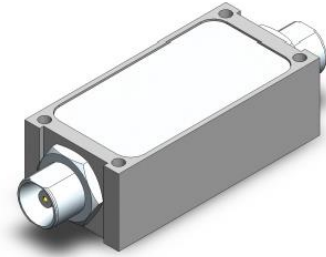


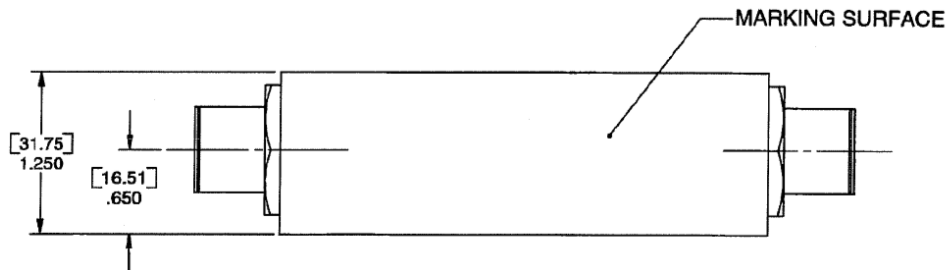
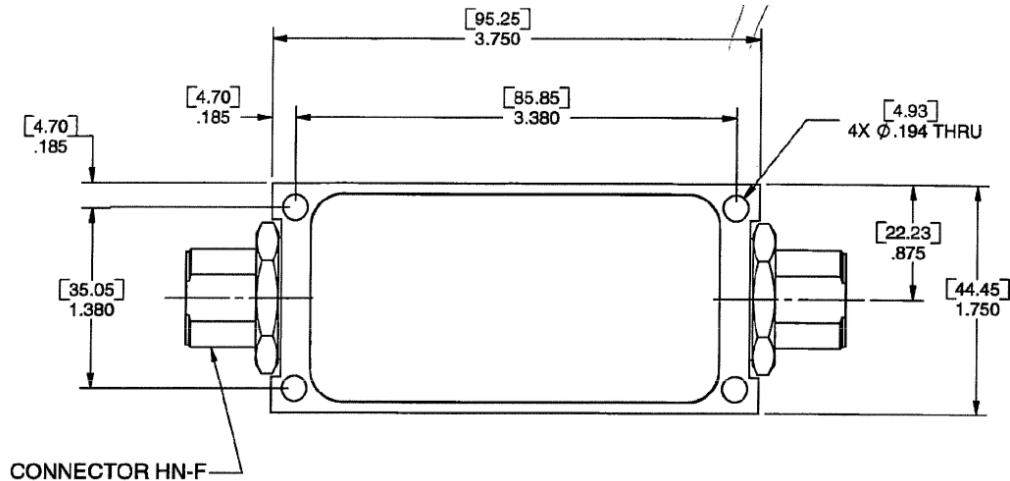
Bandreject Filter

Features/Benefits

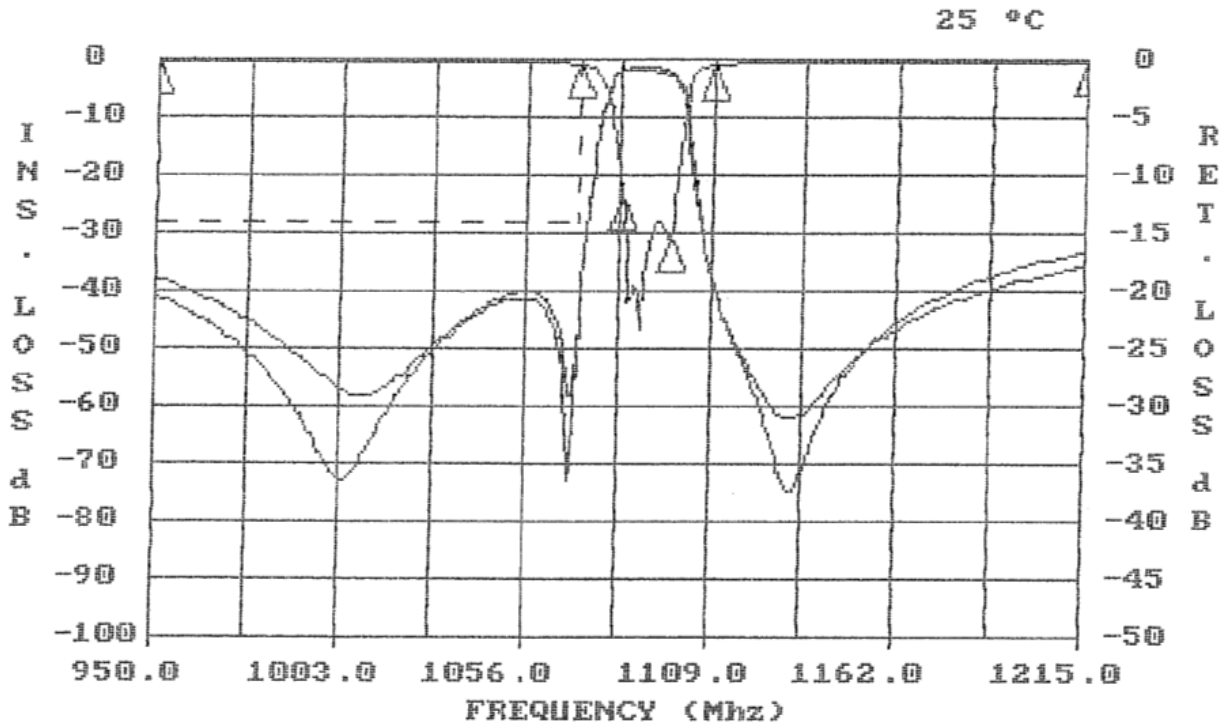
- Cavity Performance in compact size
- State of the art ceramic technology
- High-power HN Hermetic connectors
- Hermetic-sealed, Nickel-plated housing



Parameter	Specification
Center Frequency (Fo)	1090 MHz
Insertion Loss	-1 dBa Max from 950 to 1071 MHz
Insertion Loss	-1 dBa Max from 1109 to 1215 MHz
Return Loss	-13.98 dB from 950 to 1071 MHz
Return Loss	-13.98 dB from 1109 to 1215 MHz
Rejection	-20 dBa Min from 1083 to 1097 MHz
Package Outline	620828
Temperature, Operating	-55°C to +85°C
Temperature, Storage	-55°C to +125°C
Mechanical Dimensions	(Excluding Connectors)



This document contains proprietary information and is to be used only for the purposes for which it has been supplied and is not to be duplicated or disclosed in whole or in part without written permission from a duly authorized representative of Knowles.



FREQUENCY (MHZ)	VALUE	SPEC	COMMENTS
950 - 1071	-.813 dbA	-1 dbA MAX	
1109 - 1215	-.894 dbA	-1 dbA MAX	
1083 - 1097	-22.7 dbA	-20 dbA MIN	

FREQUENCY (MHZ)	VALUE	SPEC	COMMENTS
950 - 1071	-20.3	1.5 :1 MAX	(S11) - VSWR
1109 - 1215	-17.8	1.5 :1 MAX	(S11) - VSWR
950 - 1071	-18.8	1.5 :1 MAX	(S22) - VSWR
1109 - 1215	-16.6	1.5 :1 MAX	(S22) - VSWR

This document contains proprietary information and is to be used only for the purposes for which it has been supplied and is not to be duplicated or disclosed in whole or in part without written permission from a duly authorized representative of Knowles.