

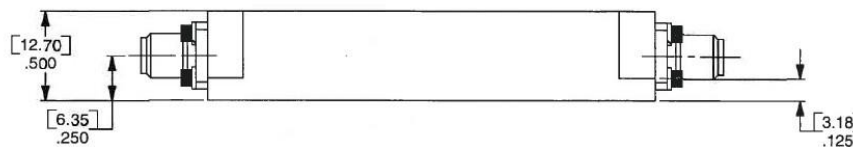
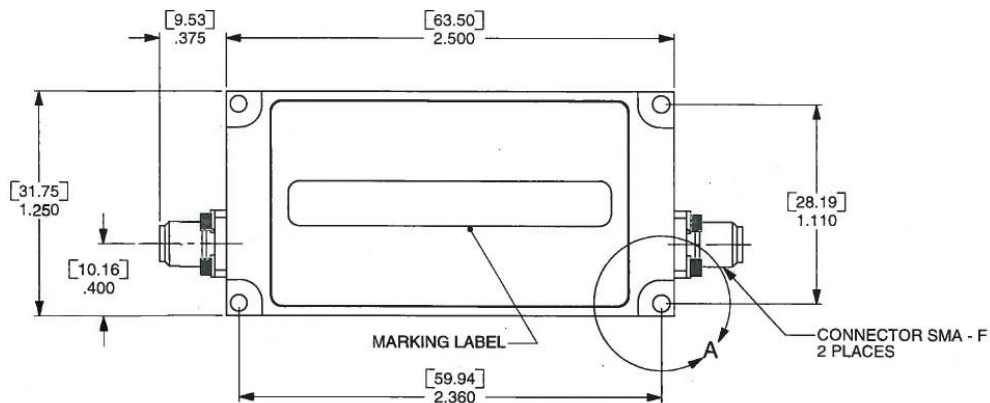
Ceramic Band Reject Filter

Features/Benefits

- Ceramic Filter
- SMA-F connectors
- Made in U.S.A.

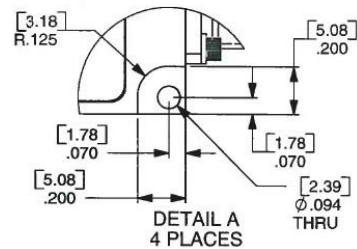


Parameter	Specification
Center Frequency (Fo)	1575.42 MHz
Return Loss	-10 dB @ from DC to 1555.42 MHz -10 dB @ from 1595.42 MHz to 1675.42 MHz
Insertion Loss	-4.5 dBa max from DC to 1555.42 MHz -4.5 dBa max from 1595.42 MHz to 1675.42 MHz
Rejection	-66 dBa min from 1570.42 MHz to 1580.42 MHz
Temperature, Operating	-20°C to +85°C
Temperature, Storage	-55°C to +125°C
Mechanical Dimensions	2.500 x 1.250 x 0.500 inches [63.50 x 31.75 x 12.70 mm] (L X W X H)



UNLESS OTHERWISE SPECIFIED
DIMENSIONS ARE IN INCHES.
TOLERANCES ARE:

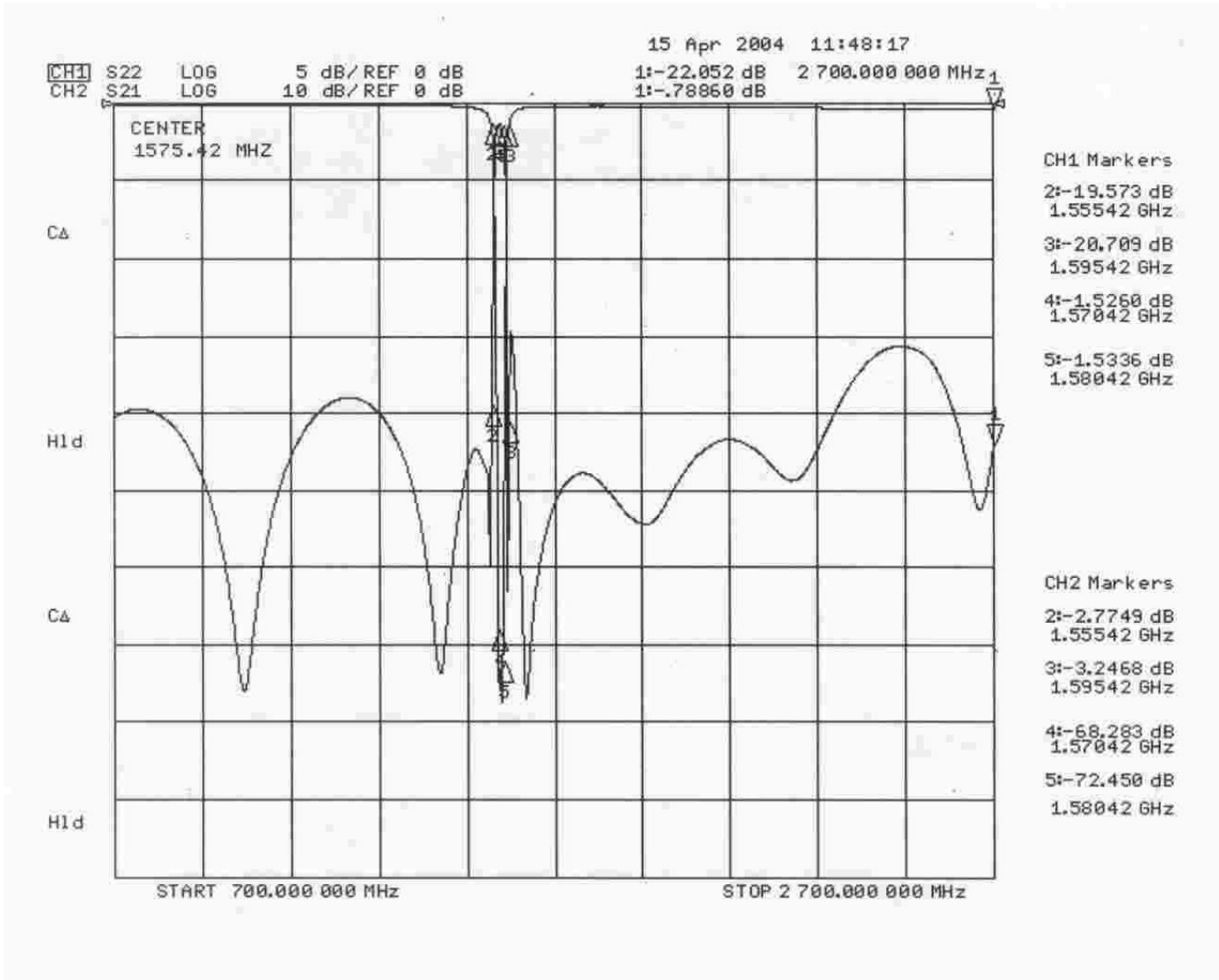
INCHES	MILLIMETERS
.XX ± .02	[X.X] ± .5
.XXX ± .010	[X.XX] ± .25
.XXXX ± .0020	[X.XXX] ± .051



This document contains proprietary information and is to be used only for the purposes for which it has been supplied and is not to be duplicated or disclosed in whole or in part without written permission from a duly authorized representative of Knowles.

Phone: 1-315-655-8710 • Email: KPD-NA-sales@knowles.com • www.knowlesc capacitors.com

Product and product information are subject to change without notice.



This document contains proprietary information and is to be used only for the purposes for which it has been supplied and is not to be duplicated or disclosed in whole or in part without written permission from a duly authorized representative of Knowles.

Phone: 1-315-655-8710 • Email: KPD-NA-sales@knowles.com • www.knowlesc capacitors.com

Product and product information are subject to change without notice.