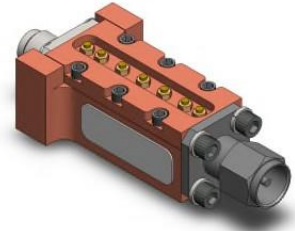


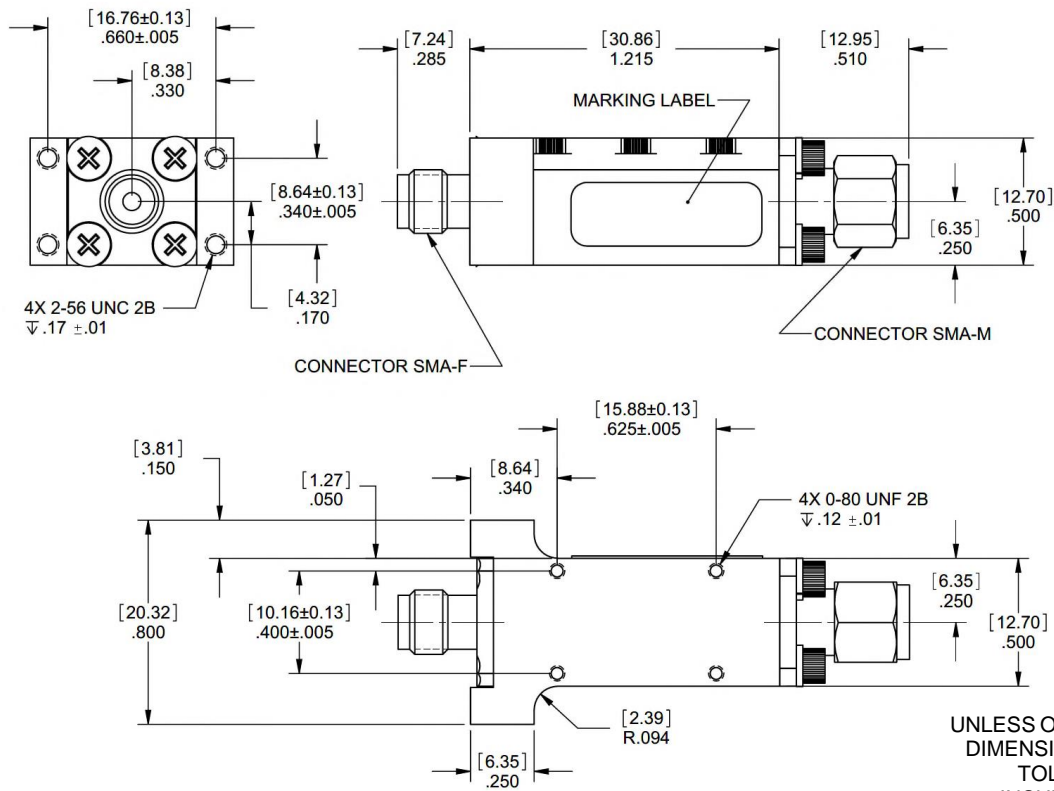
Cavity Bandpass Filter

Features/Benefits

- Ceramic Filter
- SMA-Female, SMA-Male Connectors
- Made in U.S.A.



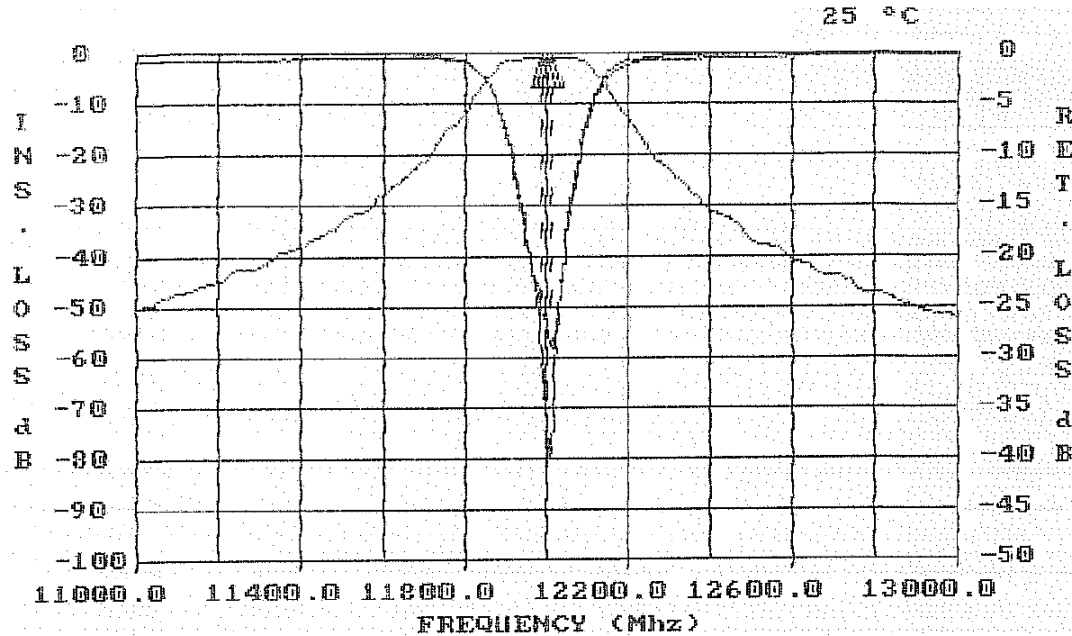
| Parameter | Specification |
|------------------------|---|
| Center Frequency (Fo) | 12000 MHz |
| Passband | -0.2 dBc max from 11990 MHz to 12010 MHz |
| Return Loss | -25 dB min from 11990 MHz to 12010 MHz |
| Insertion Loss | -1.2 dBa max @ 12000 MHz |
| Rejection | -60 dBc min @ 6000 MHz |
| Group Delay | 1.0 ns max var from 11990 MHz to 12010 MHz |
| Temperature, Operating | -40°C to +85°C |
| Temperature, Storage | -55°C to +125°C |
| Mechanical Dimensions | 1.215 x 0.800 x 0.500 inches [30.86 x 20.32 x 12.70 mm] (L X W X H) |



UNLESS OTHERWISE SPECIFIED
DIMENSIONS ARE IN INCHES.
TOLERANCES ARE:

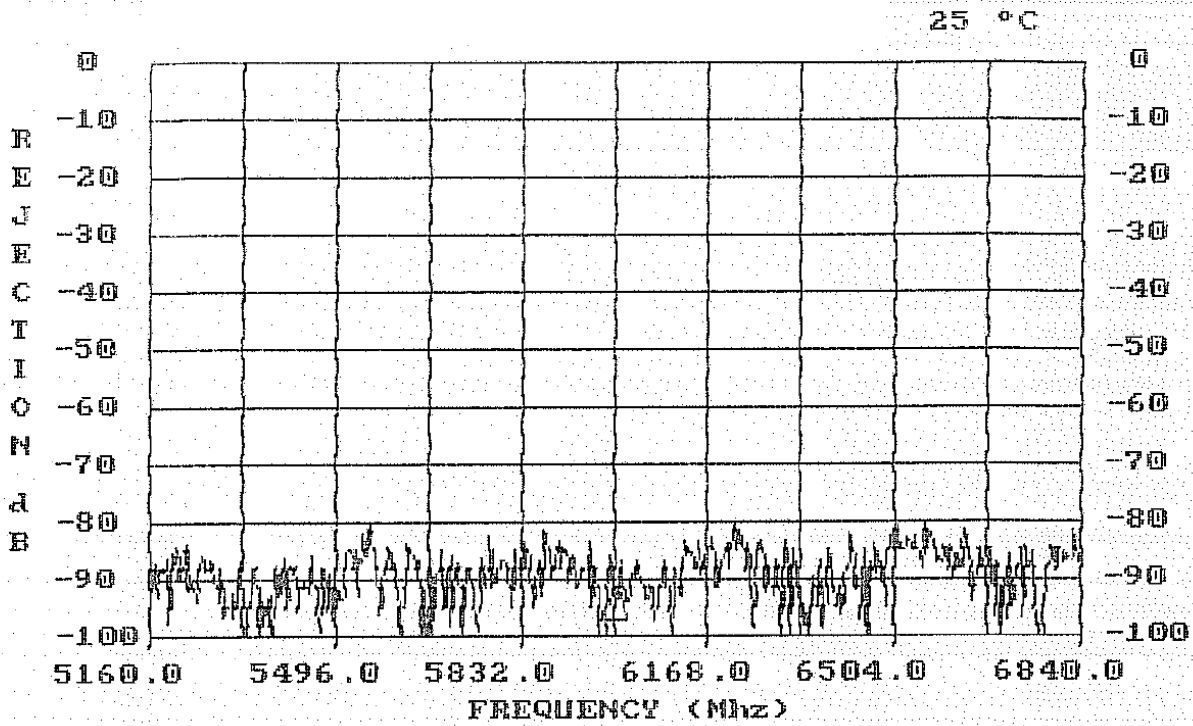
| INCHES | MILLIMETERS |
|---------------|----------------|
| .XX ± .02 | [X.X] ± .5 |
| .XXX ± .010 | [X.XX] ± .25 |
| .XXXX ± .0020 | [X.XXX] ± .051 |

This document contains proprietary information and is to be used only for the purposes for which it has been supplied and is not to be duplicated or disclosed in whole or in part without written permission from a duly authorized representative of Knowles.



| FREQUENCY (MHZ) | VALUE | SPEC | COMMENTS |
|-----------------|------------|--------------|--------------|
| 12000 | -828 dbA | -1.2 dbA MAX | |
| 11990 - 12010 | -001 dbc | -1.2 dbc MAX | |
| FREQUENCY (MHZ) | VALUE | SPEC | COMMENTS |
| 11990 - 12010 | .213 nsC | 1 nsC VAR | Group Delay |
| VALUE | SPEC | COMMENTS | |
| 251.6 MHZ | 20 MHZ MIN | -3dbc Width | |
| 11994.6MHZ | 10000 MIN | Center Freq. | |
| 11994.6MHZ | 14000 MAX | Center Freq. | |
| FREQUENCY (MHZ) | VALUE | SPEC | COMMENTS |
| 11990 - 12010 | -25.2 | -25 db MIN | (S11) - VSWR |
| 11990 - 12010 | -30.4 | -25 db MIN | (S22) - VSWR |

This document contains proprietary information and is to be used only for the purposes for which it has been supplied and is not to be duplicated or disclosed in whole or in part without written permission from a duly authorized representative of Knowles.



| FREQUENCY (MHZ) | VALUE | SPEC | COMMENTS |
|-----------------|-----------|-------------|----------|
| 6000 | -88.9 dbC | -60 dbC MIN | |

This document contains proprietary information and is to be used only for the purposes for which it has been supplied and is not to be duplicated or disclosed in whole or in part without written permission from a duly authorized representative of Knowles.

Phone: 1-315-655-8710 • Email: KPD-NA-sales@knowles.com • www.knowlescapacitors.com

Product and product information are subject to change without notice.