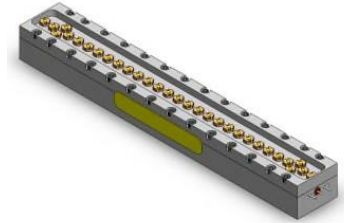


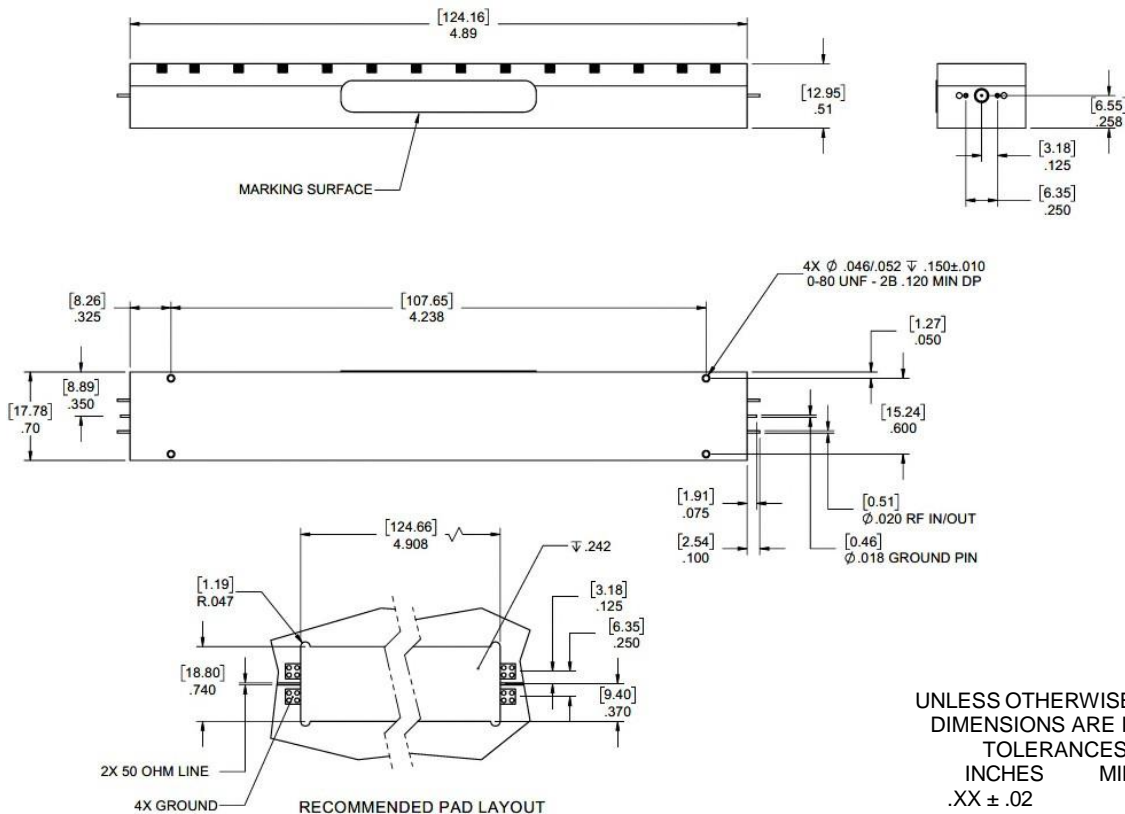
Cavity Bandpass Filter

Features/Benefits

- Cavity Filter
- Made in U.S.A.

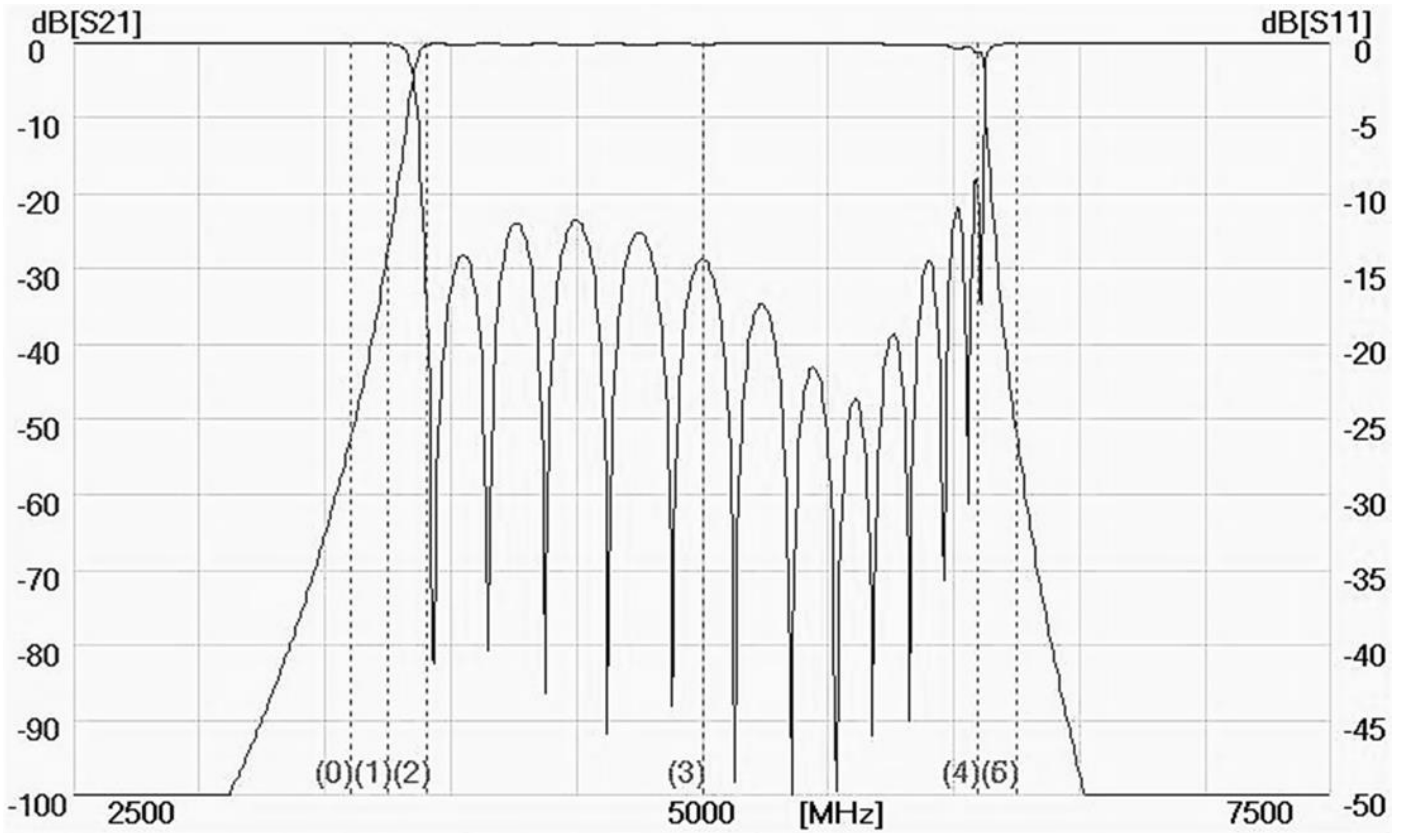


Parameter	Specification
Center Frequency (Fo)	5000 MHz
Passband	-3 dBa max from 3906 MHz to 6094 MHz
VSWR	2:1 min from 3906 MHz to 6094 MHz
Insertion Loss	-40 dBc min from 2500 MHz to 3600 MHz -30 dBc min @ 6250 MHz -40 dBc min @ 6300 MHz
Rejection	-40 dBc min from 130 MHz to 2500 MHz
Temperature, Operating	-20°C to +50°C
Temperature, Storage	-55°C to +125°C
Temperature, Soldering	+215°C MAX (use convective reflow)
Mechanical Dimensions	4.89 x 0.51 x 0.70 inches [124.15 x 17.78 x 12.95 mm] (L X W X H)



UNLESS OTHERWISE SPECIFIED
DIMENSIONS ARE IN INCHES.
TOLERANCES ARE:
INCHES MILLIMETERS
.XX ± .02 [X.X] ± .5
.XXX ± .010 [X.XX] ± .25
.XXXX ± .0020 [X.XXX] ± .051

This document contains proprietary information and is to be used only for the purposes for which it has been supplied and is not to be duplicated or disclosed in whole or in part without written permission from a duly authorized representative of Knowles.



This document contains proprietary information and is to be used only for the purposes for which it has been supplied and is not to be duplicated or disclosed in whole or in part without written permission from a duly authorized representative of Knowles.

Phone: 1-315-655-8710 • Email: KPD-NA-sales@knowles.com • www.knowlescapacitors.com

Product and product information are subject to change without notice.