

5.0 GHz Surface Mount Highpass Filter

H050XHXS PRELIMINARY

www.knowlescapacitors.com

DESCRIPTION

DLI's 5GHz cutoff high pass filter offers unmatched size and performance in a surface mount configuration. This catalog high pass filter utilizes Knowles Quasi Lumped technology to offer small size and excellent repeatability.

FEATURES

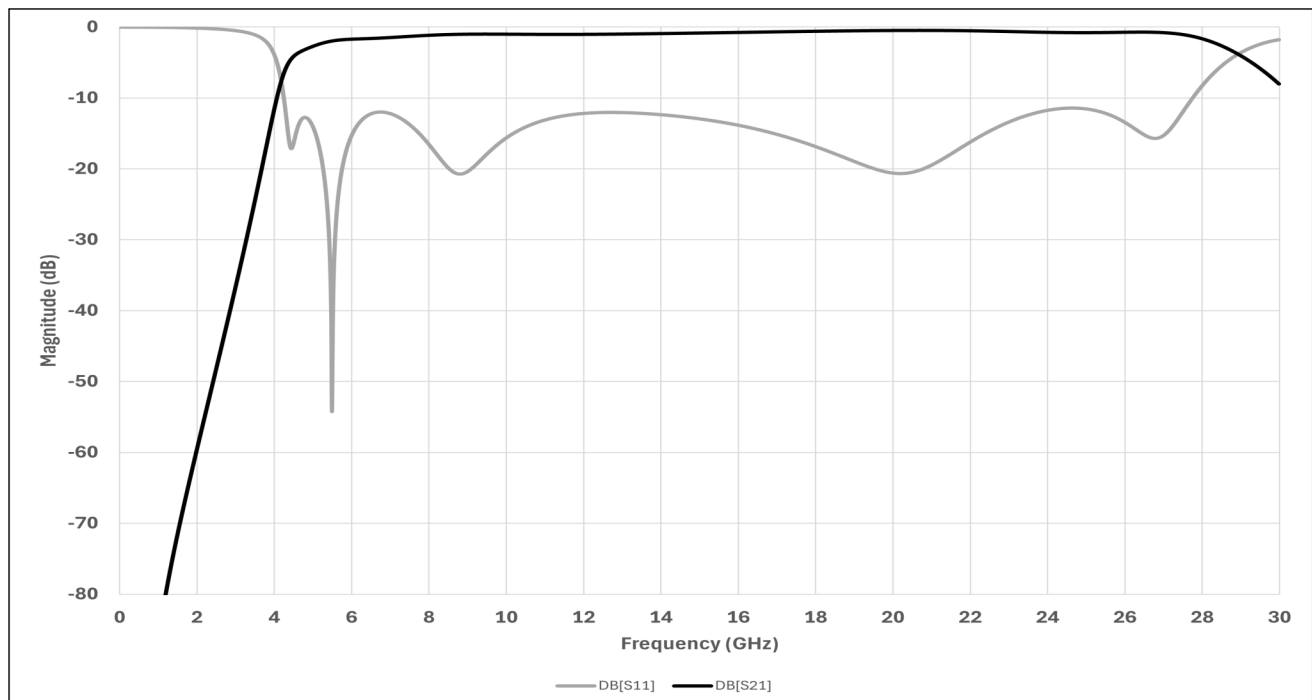
- Small Size
- Solder Surface Mount Package
- Moisture Sensitivity Level: MSL1
- Operating & Storage Temp: -55°C to +125°C
- Excellent Repeatability
- Characteristic Impedance: 50Ω

SPECIFICATIONS*

Parameter	Frequency Range (GHz)	Min	Typ.	Max
Insertion Loss (dB)	5.0 - 25.0	-	2.5	3.5
Return Loss (dB)		10	12	-
Low Side Rejection (dB)	DC - 2.5	40	45	-
Input Power (W)				TBD
Size (L x W x H)	0.220 (L)X 0.120(W) X 0.089 (H) in 5.59(L) x 3.0(W) x 2.26 (H) mm			

*Electrical specifications based on typical probed performance at room temperature. Insertion loss shall vary up to ±0.5dB over temperature.

Preliminary Simulated Performance



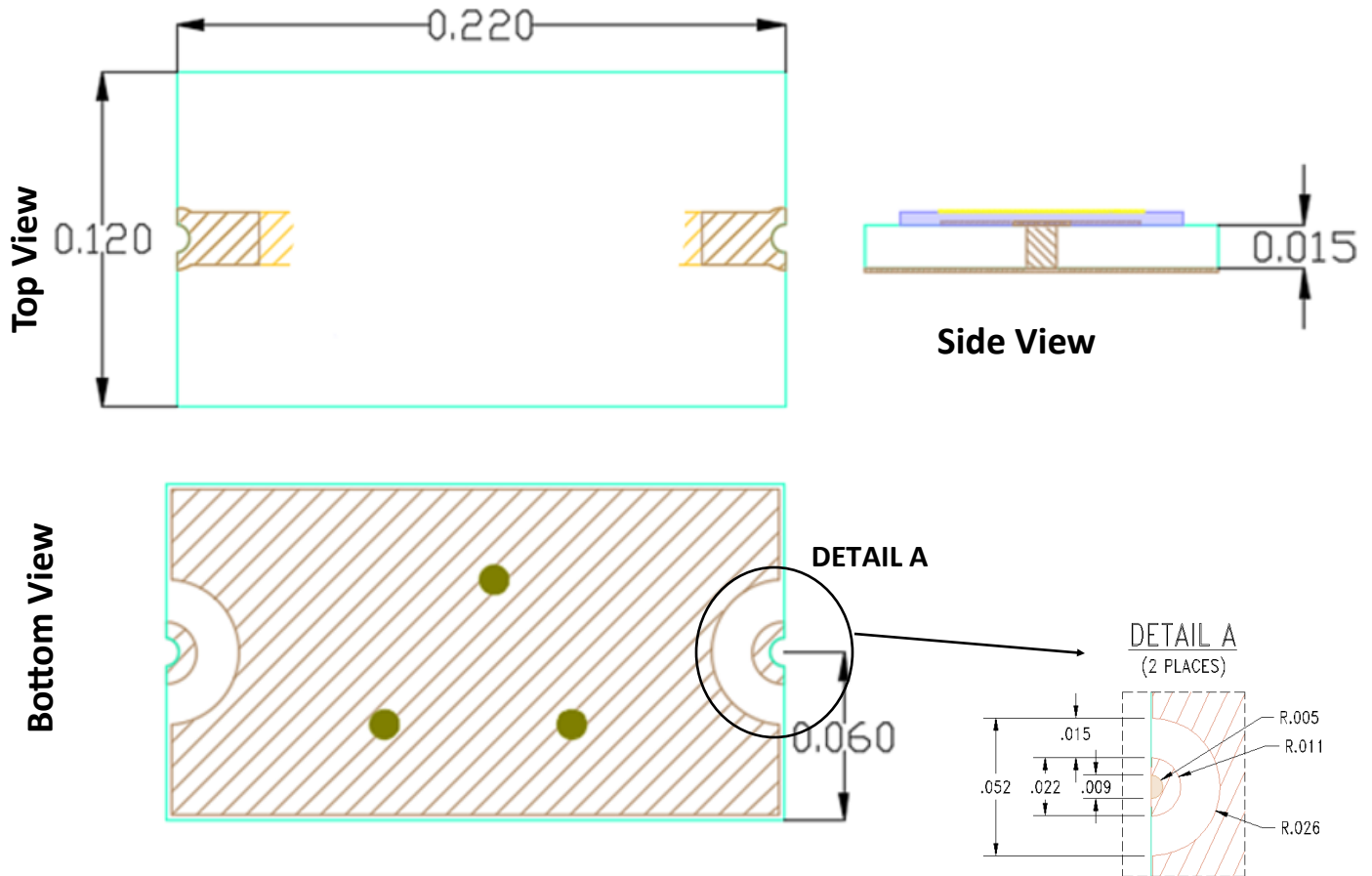
5.0 GHz Surface Mount Highpass Filter

H050XHXS PRELIMINARY

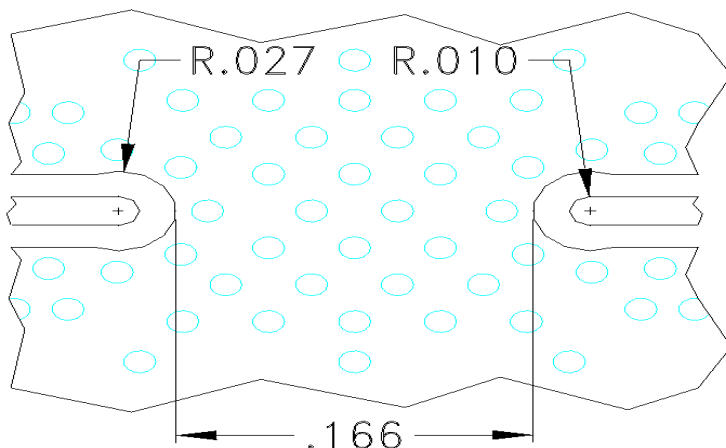
www.knowlesc capacitors.com

Physical Dimensions

Units = inches



Recommended PCB Layout



- 50Ω trace dimensions are application specific.
- Ensure adequate grounding beneath the part.

