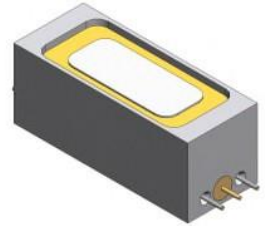


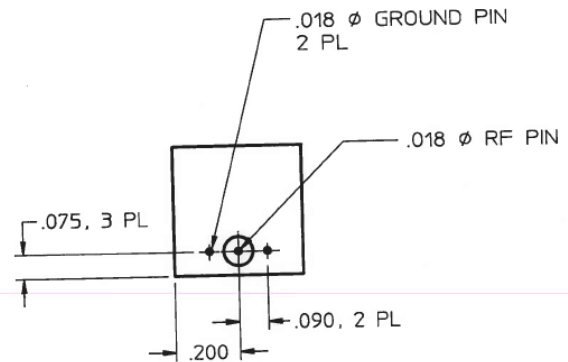
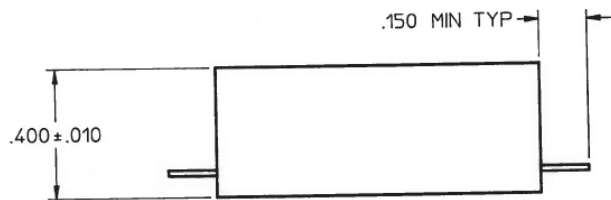
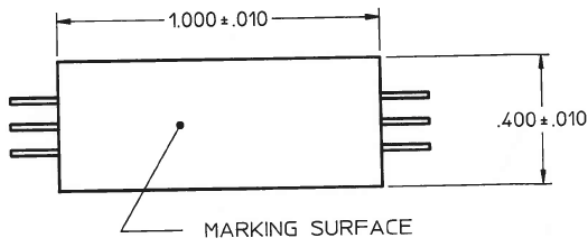
## Lumped Lowpass Filter

### Features/Benefits

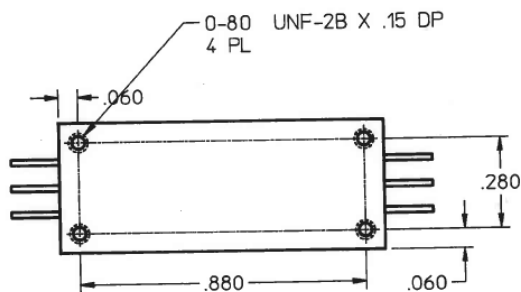
- Axial Pins
- Made in U.S.A.



Parameter	Specification
Cutoff Frequency (Fc)	400 MHz
Passband	-1 dBa max from 0.3 MHz to 400 MHz
VSWR	1.5:1 max from 0.3 MHz to 400 MHz
Rejection	-61 dBa min from 680 MHz to 1600 MHz
Temperature, Operating	-55°C to +85°C
Temperature, Storage	-55°C to +85°C
Temperature, Soldering	+215°C MAX (use convective reflow)
Mechanical Dimensions	1.000 x 0.400 x 0.400 inches [25.40 x 10.16 x 10.16 mm] (L X W X H)



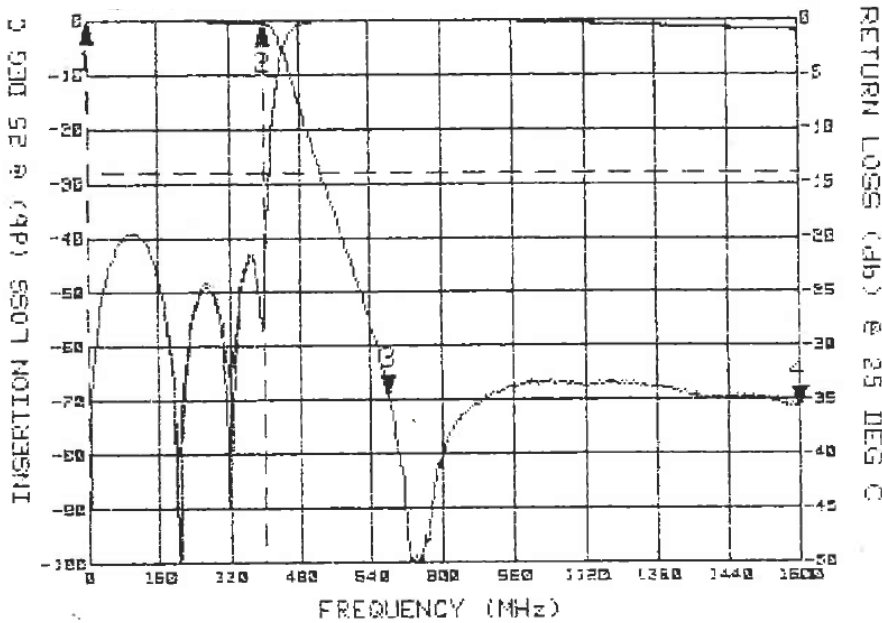
BOTH ENDS TYP



UNLESS OTHERWISE SPECIFIED  
DIMENSIONS ARE IN INCHES.  
TOLERANCES ARE:

INCHES	MILLIMETERS
.XX ± .02	[X.X] ± .5
.XXX ± .010	[X.XX] ± .25
.XXXX ± .0020	[X.XXX] ± .051

This document contains proprietary information and is to be used only for the purposes for which it has been supplied and is not to be duplicated or disclosed in whole or in part without written permission from a duly authorized representative of Knowles.



FREQ RANGE (MHZ)	WORST CASE	SPEC	ARROW	COMMENTS
.3 - 400	-1.49 dbA	-1 dbA MAX	1 -2	
680 - 1800	-55.1 dbA	-51 dbA MIN	3 -4	

THE VSWR SPEC IS 1.5:1 OVER 100 PERCENT OF THE PASSBAND AT BOTH PORTS (.3-400 MHZ)

DATE TESTED 9-3-91

This document contains proprietary information and is to be used only for the purposes for which it has been supplied and is not to be duplicated or disclosed in whole or in part without written permission from a duly authorized representative of Knowles.

Phone: 1-315-655-8710 • Email: KPD-NA-sales@knowles.com • www.knowlescapacitors.com

Product and product information are subject to change without notice.