

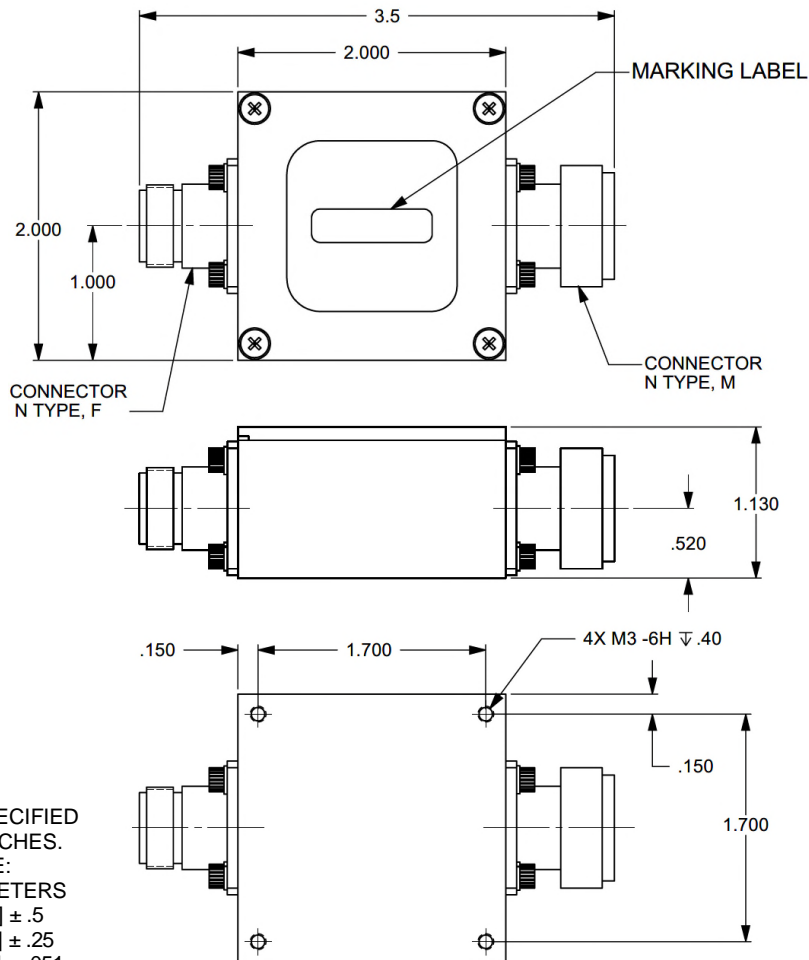
Lumped Lowpass Filter

Features/Benefits

- Type N-F/ Type N-M Connectors
- Made in U.S.A.



Parameter	Specification
Cutoff Frequency (Fc)	200 MHz
Passband	-1.5 dBa max from 1 MHz to 200 MHz
Return Loss	-15 dB min from 1 MHz to 200 MHz
Rejection	-60 dBa min from 400 MHz to 800 MHz
Temperature, Operating	-20°C to +70°C
Temperature, Storage	-20°C to +70°C
Mechanical Dimensions	0.200 x 0.200 x 1.130 inches [50.80 x 50.80 x 28.70 mm] (L X W X H)



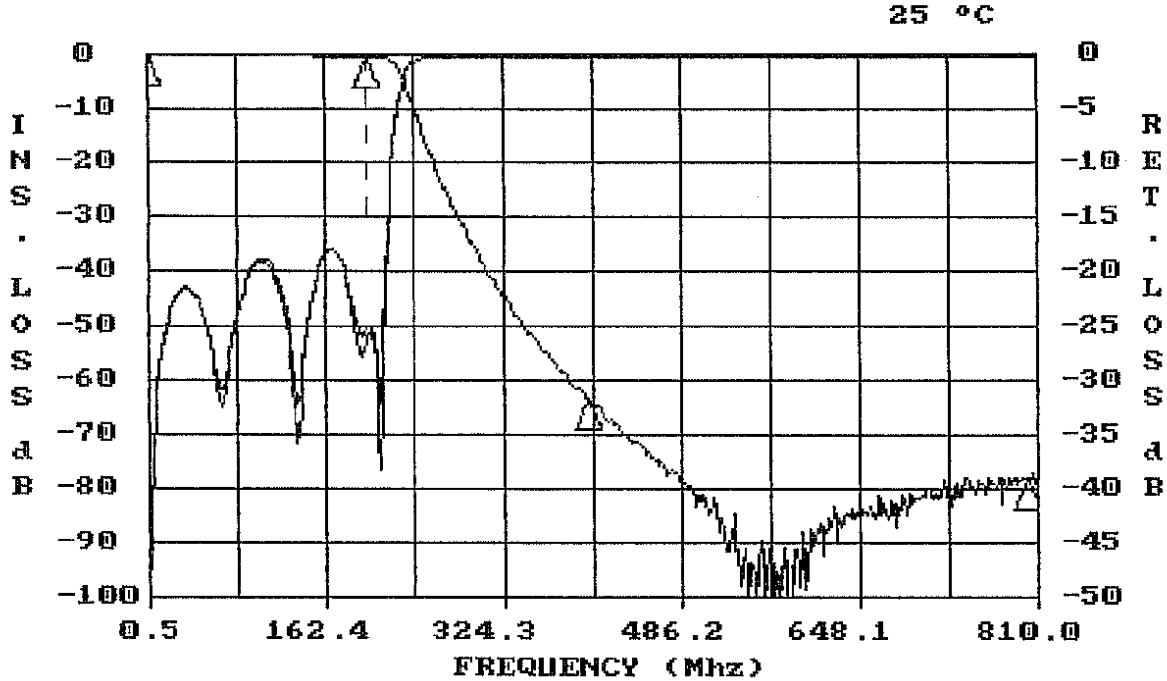
UNLESS OTHERWISE SPECIFIED
DIMENSIONS ARE IN INCHES.
TOLERANCES ARE:

INCHES	MILLIMETERS
.XX ± .02	[X.X] ± .5
.XXX ± .010	[X.XX] ± .25
.XXXX ± .0020	[X.XXX] ± .051

This document contains proprietary information and is to be used only for the purposes for which it has been supplied and is not to be duplicated or disclosed in whole or in part without written permission from a duly authorized representative of Knowles.

Phone: 1-315-655-8710 • Email: KPD-NA-sales@knowles.com • www.knowlesc capacitors.com

Product and product information are subject to change without notice.



FREQUENCY (MHZ)	VALUE	SPEC	COMMENTS
1 - 200	-1.501 dbA	-1.5 dbA MAX	
400 - 800	-63.4 dbA	-60 dbA MIN	

FREQUENCY (MHZ)	VALUE	SPEC	COMMENTS
1 - 200	-18.0	-15 db MIN	(S11) - VSWR
1 - 200	-18.0	-15 db MIN	(S22) - VSWR

This document contains proprietary information and is to be used only for the purposes for which it has been supplied and is not to be duplicated or disclosed in whole or in part without written permission from a duly authorized representative of Knowles.

Phone: 1-315-655-8710 • Email: KPD-NA-sales@knowles.com • www.knowlesc capacitors.com

Product and product information are subject to change without notice.