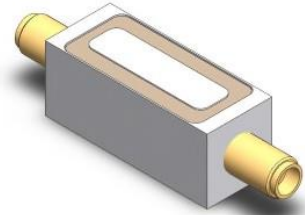


P/N: 940989

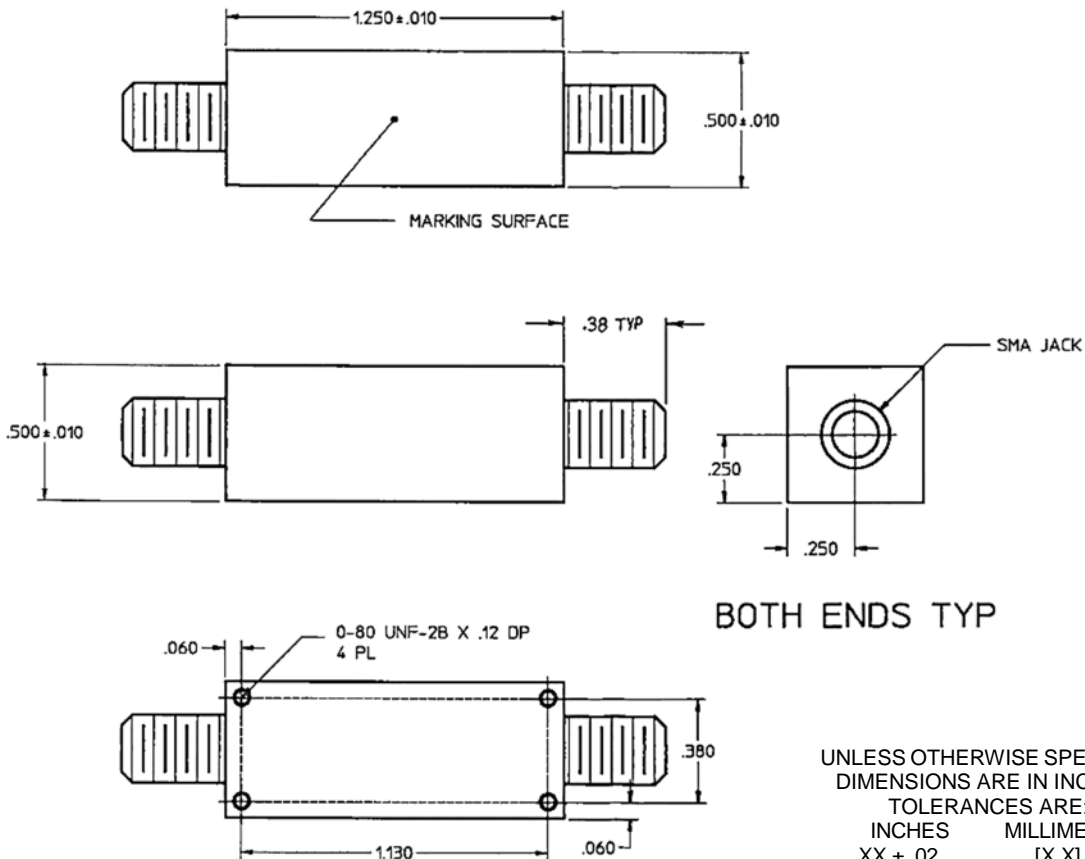
Lumped Lowpass Filter

Features/Benefits

- SMA-F Connectors
- Made in U.S.A.



| Parameter | Specification |
|------------------------|---|
| Cutoff Frequency (Fc) | 700 MHz |
| Passband | -0.5 dBa max from 50 MHz to 550 MHz |
| Return Loss | -15 dB min from 50 MHz to 550 MHz |
| Rejection | -20 dBa min from 750 MHz to 1100 MHz -35 dBa min from 1800 MHz to 3000 MHz |
| Group Delay | 1.0 ns max from 50 MHz to 550 MHz |
| Temperature, Operating | -20°C to +70°C |
| Temperature, Storage | -20°C to +70°C |
| Mechanical Dimensions | 1.250 x 0.500 x 0.500 inches [31.75 x 12.70 x 12.70 mm] (L X W X H) |



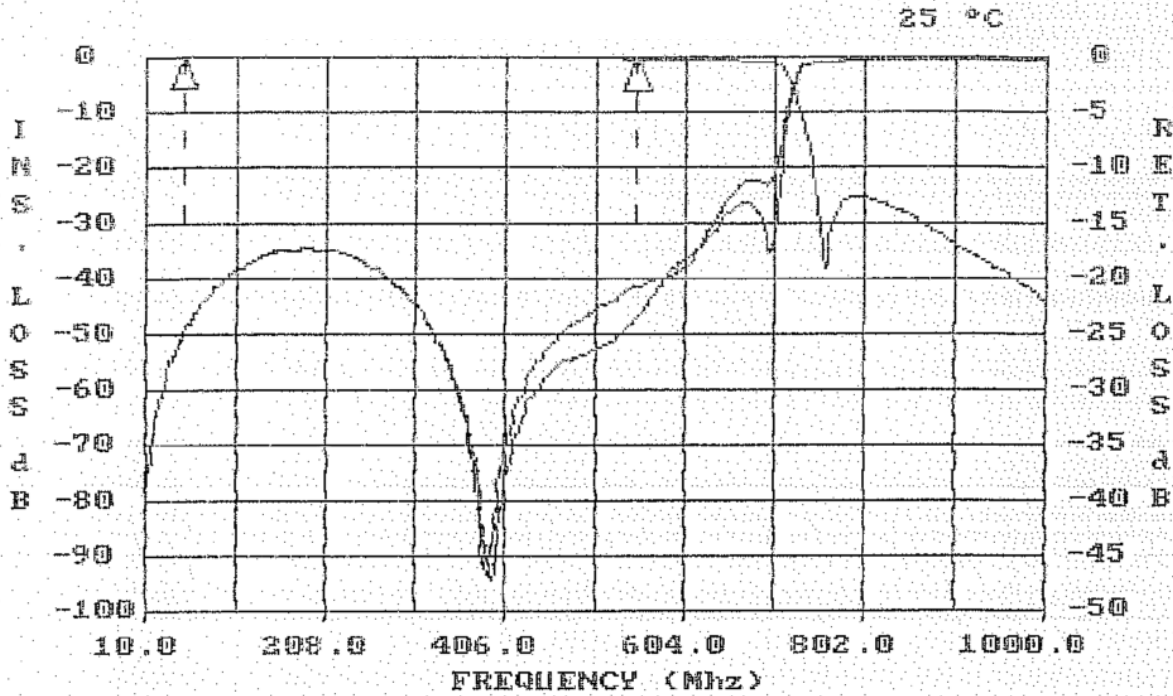
UNLESS OTHERWISE SPECIFIED
DIMENSIONS ARE IN INCHES.
TOLERANCES ARE:

| INCHES | MILLIMETERS |
|---------------|----------------|
| .XX ± .02 | [X.X] ± .5 |
| .XXX ± .010 | [X.XX] ± .25 |
| .XXXX ± .0020 | [X.XXX] ± .051 |

This document contains proprietary information and is to be used only for the purposes for which it has been supplied and is not to be duplicated or disclosed in whole or in part without written permission from a duly authorized representative of Knowles.

Phone: 1-315-655-8710 • Email: KPD-NA-sales@knowles.com • www.knowlesc capacitors.com

Product and product information are subject to change without notice.

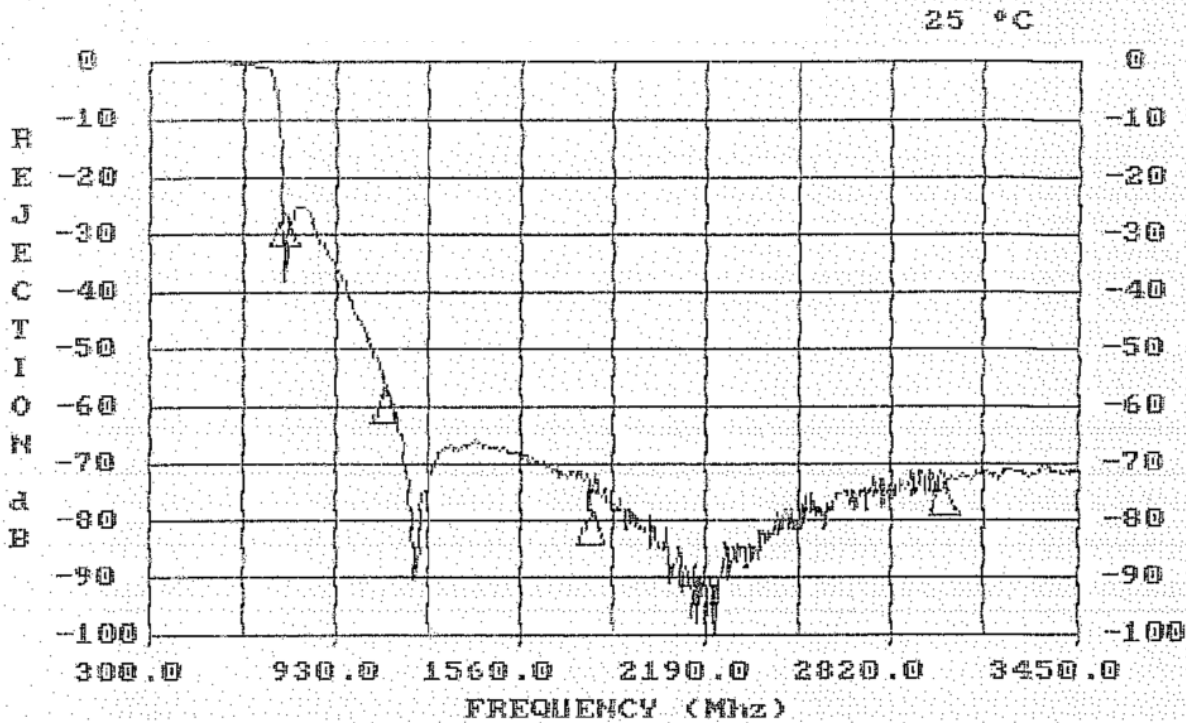


| FREQUENCY (MHZ) | VALUE | SPEC | COMMENTS |
|-----------------|-----------|--------------|--------------|
| 50 - 550 | -1.23 dbA | -1.5 dbA MAX | |
| FREQUENCY (MHZ) | VALUE | SPEC | COMMENTS |
| 50 - 550 | .993 nsC | 1 nsC VAR | Group Delay |
| FREQUENCY (MHZ) | VALUE | SPEC | COMMENTS |
| 50 - 550 | -17.1 | -15 db MIN | (S11) - VSWR |
| 50 - 550 | -17.1 | -15 db MIN | (S22) - VSWR |

This document contains proprietary information and is to be used only for the purposes for which it has been supplied and is not to be duplicated or disclosed in whole or in part without written permission from a duly authorized representative of Knowles.

Phone: 1-315-655-8710 • Email: KPD-NA-sales@knowles.com • www.knowlescapacitors.com

Product and product information are subject to change without notice.



| FREQUENCY (MHZ) | VALUE | SPEC | COMMENTS |
|-----------------|-----------|-------------|----------|
| 750 - 1100 | -25.2 dbA | -20 dbA MIN | |
| 1800 - 3000 | -71.4 dbA | -35 dbA MIN | |

This document contains proprietary information and is to be used only for the purposes for which it has been supplied and is not to be duplicated or disclosed in whole or in part without written permission from a duly authorized representative of Knowles.

Phone: 1-315-655-8710 • Email: KPD-NA-sales@knowles.com • www.knowlesc capacitors.com

Product and product information are subject to change without notice.