

## 28GHz 2-way Wilkinson Power Divider

**PDW07630**

### DESCRIPTION

DLI's 28GHz 2-way power divider / combiner offers unmatched size and performance in a surface mount configuration. This power divider utilizes DLI's low loss temperature stable materials which offer small size and minimal performance variation over temperature.

### FEATURES

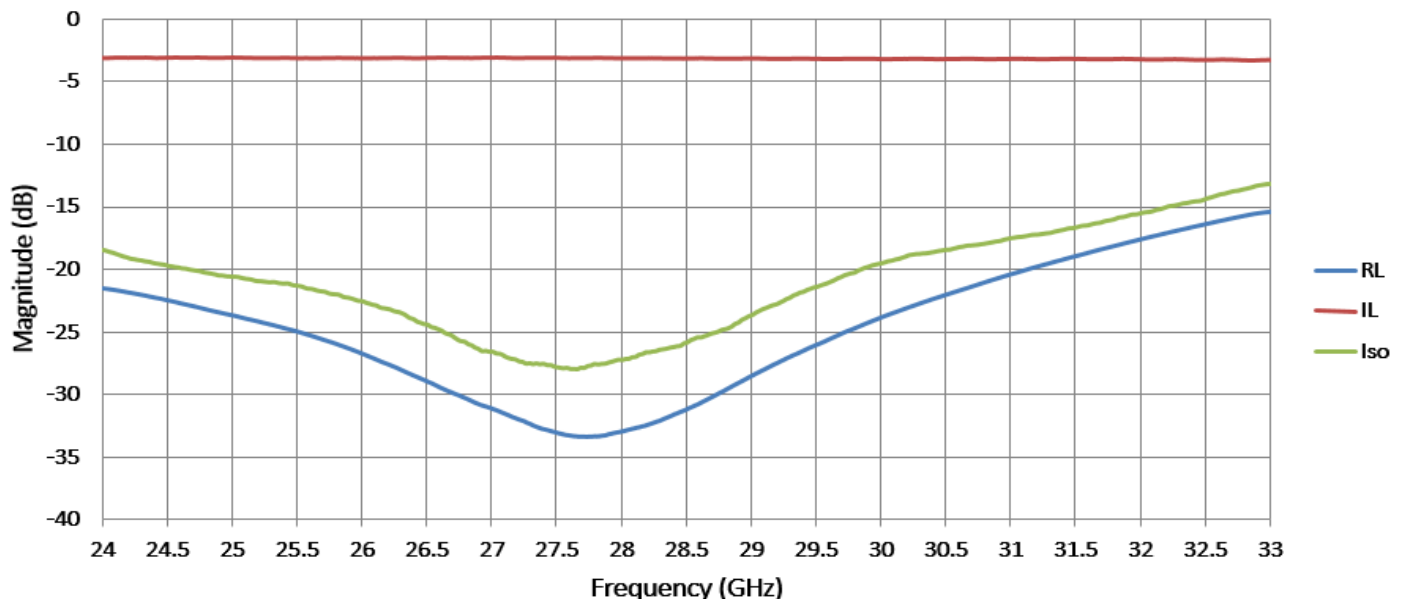
- Small Size
- Solder Surface Mount Package
- Moisture Sensitivity Level: MSL1
- Frequency Stable over Temperature
- Operating & Storage Temp: -55°C to +125°C
- Characteristic Impedance: 50Ω
- Excellent Repeatability

### SPECIFICATIONS\*

Parameter	Frequency (GHz)	Min	Typ.	Max	
Nominal Power Splitting (dB)	25– 32		3.0		
Nominal Phase Shift (Deg)			0.0		
Amplitude Balance (dB)					± .25
Phase Balance (Deg)					± 5.0
Excess Insertion Loss (dB)					0.25
Return Loss (dB)			14	20	
Isolation (dB)			14		
Input Power					TBD

\*Electrical specifications based on typical mounted performance at room temperature. Insertion loss shall vary ±0.5dB over temperature.

### Typical Measured Performance

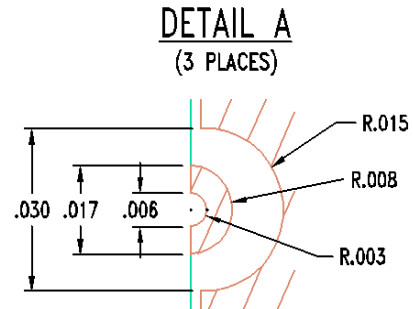
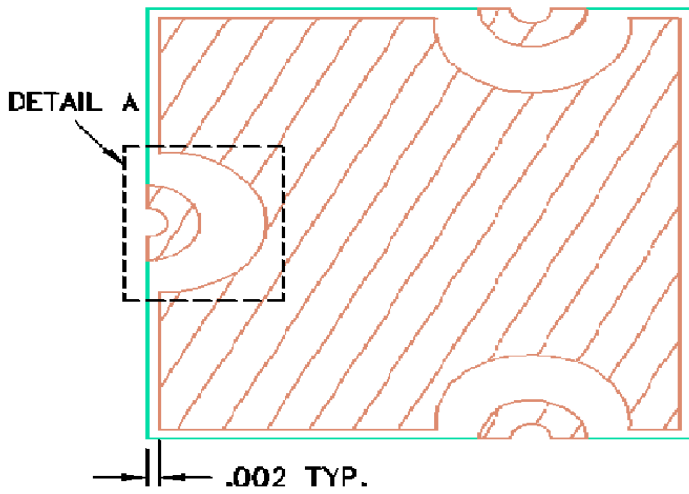
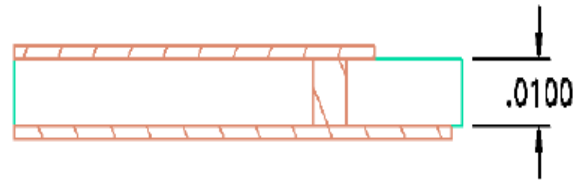
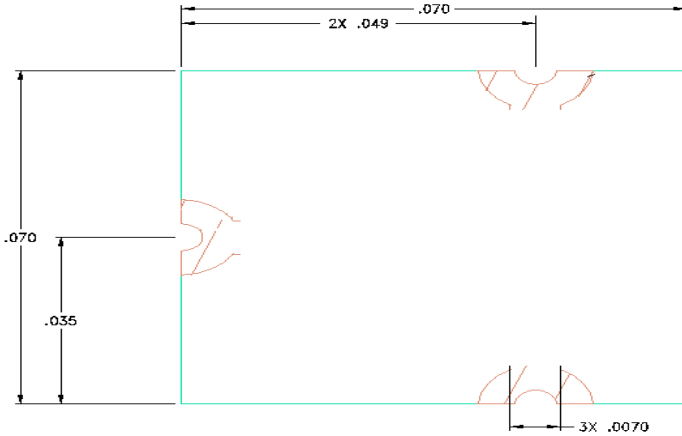


# 28GHz 2-way Wilkinson Power Divider

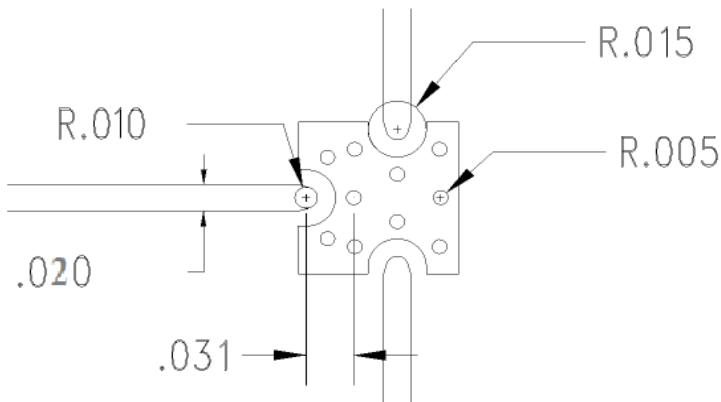
**PDW07630**

## Physical Dimensions

Units = inches



## Recommended PCB Layout



- 50Ω trace dimensions are application specific.
- Ensure adequate grounding beneath the part.

