

PDW12155 - 0.6 - 2GHz 2-way Power Divider
RF/Microwave Products

DESCRIPTION

DLI's 0.6-2 GHz 2-way power divider / combiner offers unmatched size and performance in a surface mount configuration. This power divider utilizes Knowles Quasi Lumped technology to offer small size and excellent repeatability

FEATURES

- Small Size
- Solder Surface Mount Package
- Excellent Repeatability
- Moisture Sensitivity Level: MSL1
- Operating & Storage Temp: -55°C to +125°C
- Characteristic Impedance: 50Ω order part number PDW12155-T

ORDERING INFORMATION

Orderable Part Number	Packaging
PDW12155	Bulk
PDW12155-T	Tape & Reel
DEB12155	Design Evaluation Board



SPECIFICATIONS*

Parameter	Frequency Range (GHz)	Min	Typ.	Max	
Nominal Power Splitting (dB)	0.6 - 2		3		
Nominal Phase Shift (Deg)			0		
Excess Insertion Loss (dB)			0.8	1.2	
Return Loss (dB)		12	17		
Amplitude Balance (dB)			0.1	0.3	
Phase Balance (Deg)			2	5	
Isolation (dB)		14	20		
Max CW Input Power** as Divider (W)					10
Max CW Input Power** as Combiner (W)					5 ***

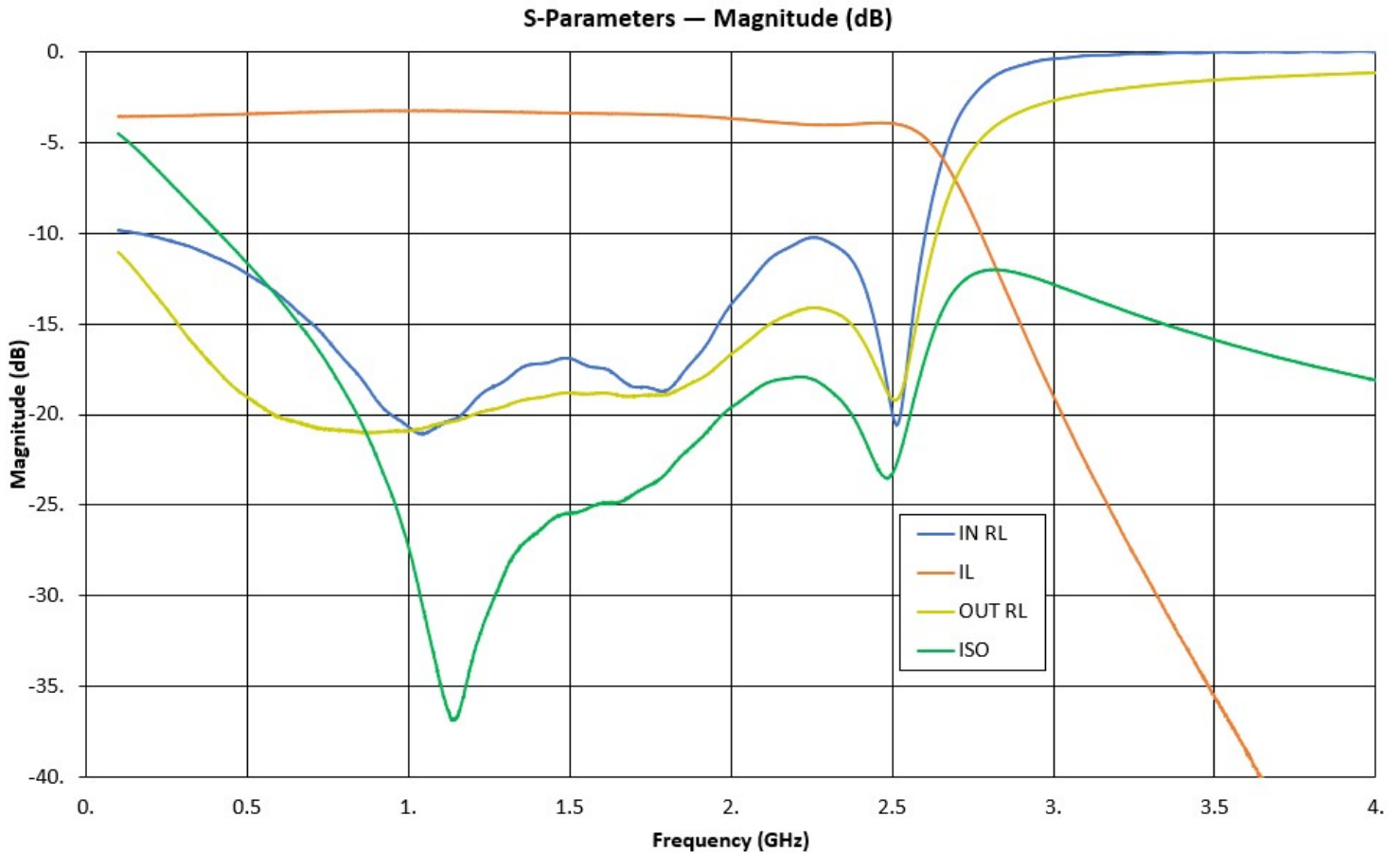
*Electrical specifications based on typical mounted performance at room temperature. Insertion loss shall vary ±0.5dB over temperature.

**Power rating assumes the component will be mounted to a PCB with good thermally conducting ground vias as outlined in the recommended PCB layout that are connected to an adequate heat sink. Max power is based on 85°C base temperature.

***Power rating as a combiner assumes that the incoming signals are of equal amplitude and phase.

Information in this document is for informational and guideline purposes only. All information regarding the Product described in this datasheet is subject to change from time to time at Knowles Precision Devices' sole discretion. It is the customer's sole responsibility to evaluate the suitability of the Product in the customer's particular application. Knowles Precision Devices assumes no responsibility or liability for the use of the information contained within.

Typical Measured Performance

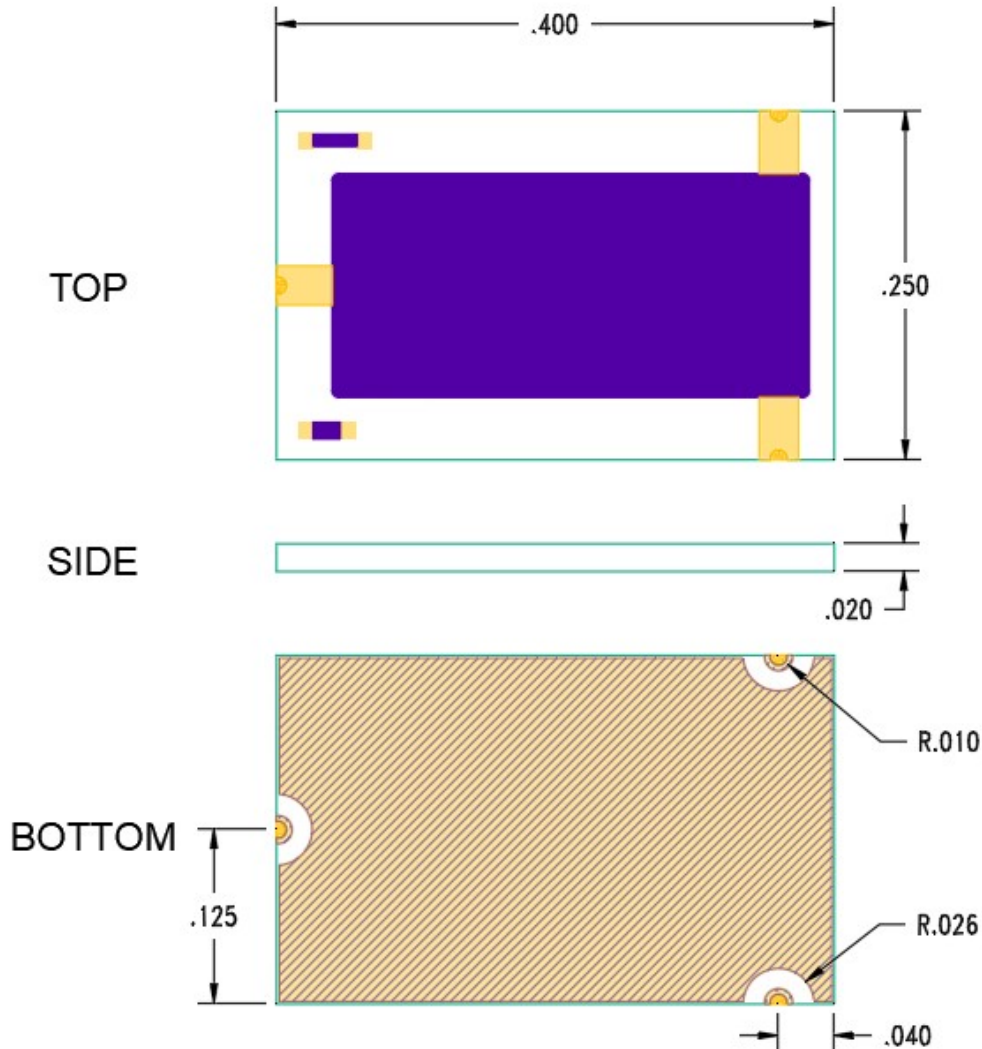


*Typical de-embedded measured performance mounted on a connectorized test fixture. DEB is 0.010 in. RO4350B with 50.0Ohm CPW ground traces going into the ports at room temperature.

PDW12155 - 0.6 - 2GHz 2-way Power Divider
RF/Microwave Products

Physical Dimensions

Units = Inches



Notes :

1. Mounting Surface Metallization:

ENIG: 3 - 6 μ inch Au over 50 μ inch Ni

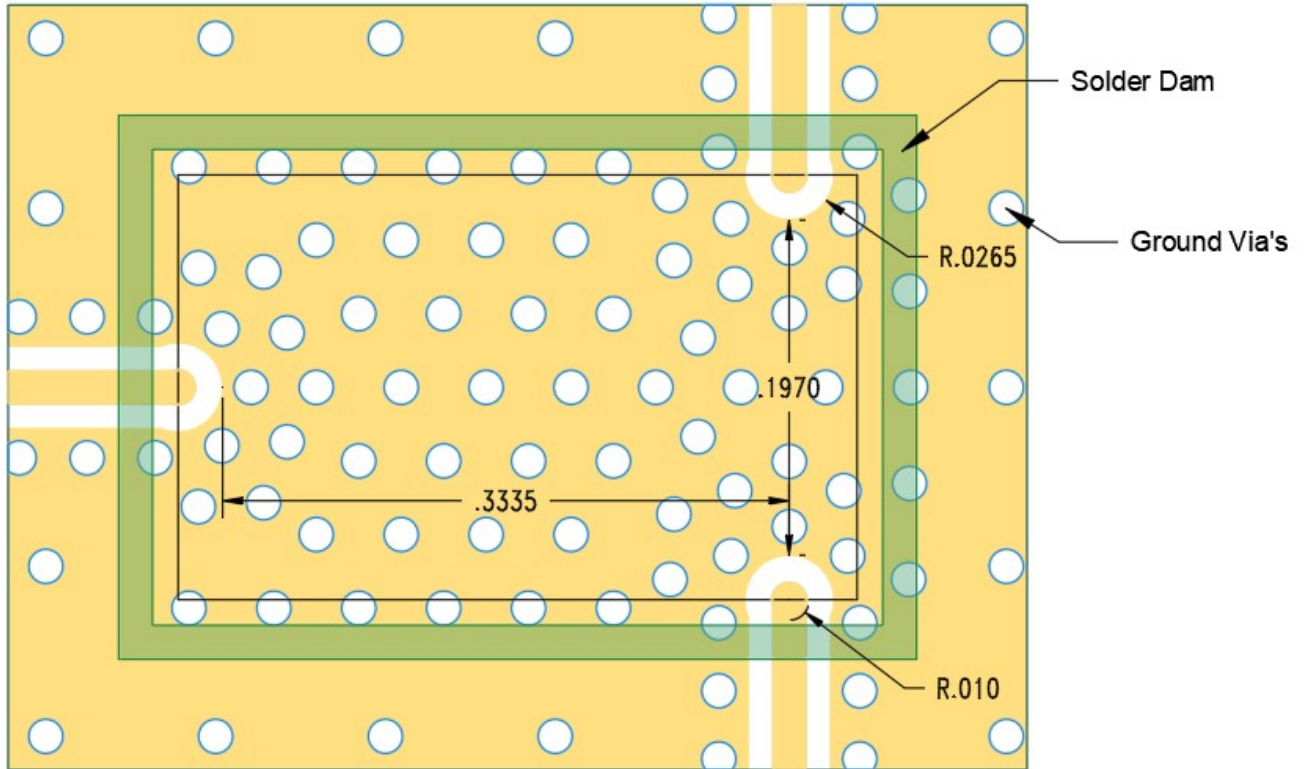
2. Maximum Assembly Process Temperature: 250°C

Tolerances:

For values with 3 decimal places ± 0.001

For values with 4 decimal places ± 0.0005

Recommended PCB Layout



Units = Inches

Note :

Parameters of the Recommended PCB:

- 0.010 inch Rogers Board RO4350B
- 3.66 dK, Board Material design
- Dimensions of 50.0 Ohm CPWG :
 - . 0.020 inch RF trace width

For further details and best practices, reference the **Microwave Products Guide**, available at: <https://www.knowlescapacitors.com/Support/Catalogs>